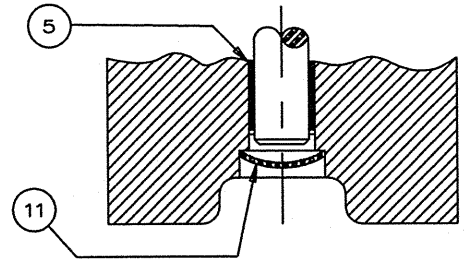
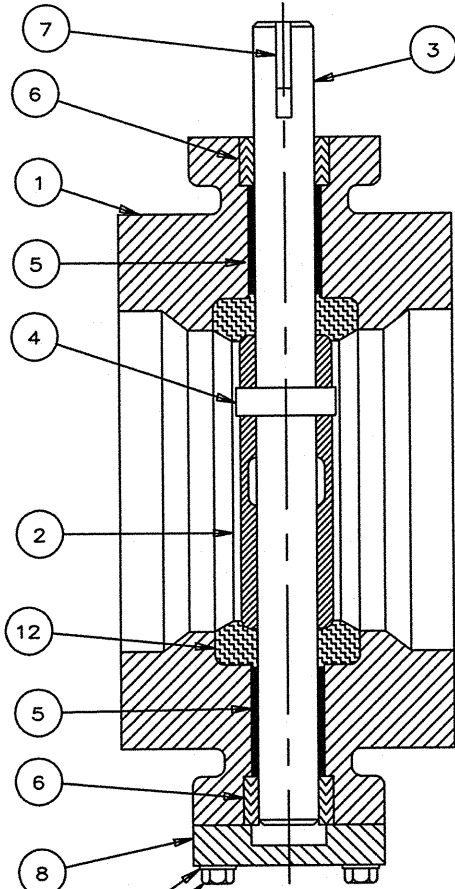


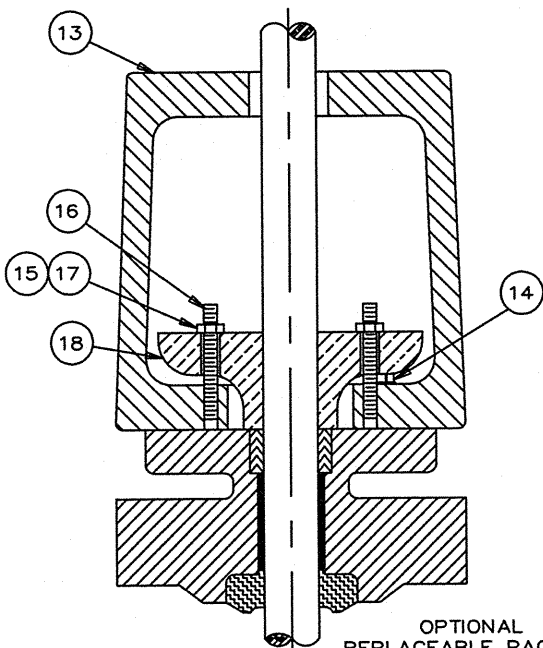
10" THRU 20"  
MKII WAFER VALVES



3" THRU 8" VALVES



10" THRU 20"  
2FII FLANGED & MJE VALVES



OPTIONAL  
REPLACEABLE PACKING  
AND BONNET ASSEMBLY

MATERIAL OPTIONS AS CHECKED

ITEM NO.	DESCRIPTION	MATERIALS	✓
1	BODY	CAST IRON ASTM A-48 CLASS 40 (MKII ONLY)	
		CAST IRON ASTM A-126 CLASS B * $\Delta$	
		DUCTILE IRON ASTM A-536 (65-45-12)	
2	DISC	CAST IRON ASTM A-126 CLASS B STAINLESS STEEL EDGE TYPE 316 (DUCTILE IRON MAY BE SUBSTITUTED)	
		DUCTILE IRON ASTM A-536 (65-45-12) STAINLESS STEEL EDGE TYPE 316	
		STAINLESS STEEL ASTM A-351 GRADE CF8M	
3	SHAFT	STAINLESS STEEL ASTM A-276 TYPE 304	
		STN. STL. A-564 TYPE 630 COND. H-1150	
4	SQUEEZE PIN	STAINLESS STEEL ASTM A-276 TYPE 304	
		STN. STL. A-564 TYPE 630 COND. H-1150	
5	BEARING	NYLATRON GS	
		RULON LR (HIGH TEMPERATURE ONLY)	
6	PACKING	RUBBER BUNA-N	
		RUBBER (EPDM)	
7	KEY	AISI C1045 COLD DRAWN STEEL	
8	COVER	CAST IRON ASTM A-48 CLASS 40	
		CAST IRON ASTM A-126 CLASS B	
9	LOCKWASHER	STAINLESS STEEL TYPE 304	
		STAINLESS STEEL TYPE 316	
10	CAP SCREW	STAINLESS STEEL TYPE 304	
		STAINLESS STEEL TYPE 316	
11	EXP. PLUG	STAINLESS STEEL TYPE 304	
		STAINLESS STEEL TYPE 316	
12	SEAT	RUBBER BUNA-N	
		RUBBER (EPDM)	
13	BONNET	CAST IRON ASTM A-48 CLASS 40 FOR 3"-10" & 12" W/ MDT2S	
		DUCTILE IRON ASTM A-536 65-45-12 FOR 10" W/ MDT3S & 12" -20"	
14	CAP SCREW	ALLOY STEEL SAE GRADE 8	
15	LOCKWASHER	STAINLESS STEEL TYPE 304	
16	THD. STUD	STAINLESS STEEL TYPE 304	
17	HEX NUT	STAINLESS STEEL TYPE 304	
18	GLAND	BRONZE ASTM B-584 ALLOY C86400	



\* DUCTILE IRON MAY BE  
SUBSTITUTED FOR 3" & 4"  
BODIES

**PRATT** HENRY PRATT COMPANY  
AURORA, ILL.

CROSS SECTION  
PARTS AND MATERIALS LIST  
BONDED SEAT BUTTERFLY VALVES  
 $\Delta$  and 3" & 4" HP250

$\Delta$ 6-28-10	JLM	REVISED BONNET MATERIAL	JR	SCALE NONE	DATE 10-27-05
$\Delta$ 5-27-08	CEM	ADDED MATERIAL	JR	DRAWN BY ES	CHECKED BY RCB
$\Delta$ 4-16-07	SB	ADDED NOTE	JR	APPROVED	GA=BORDER
$\Delta$ 6-8-06	CEG	ADDED 3 & 4 HP250	JR	DRWG. NO. GA-11486	REV 4
REV	DATE	BY	DESCRIPTION	APP	