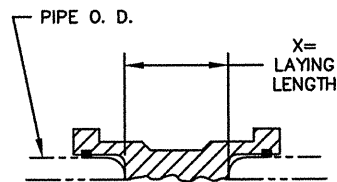
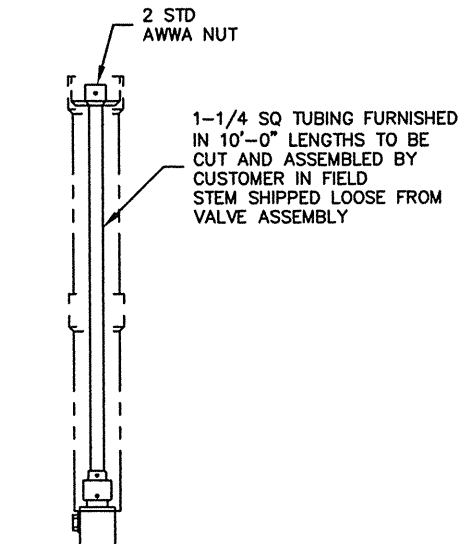


ACTUATOR POSITION 1



INSTALLATION DIAGRAM
RUBBER RING GASKETS
FURNISHED BY OTHERS



OPTIONAL EXTENSION
STEM ARRANGEMENT

NOTES:

1. ALL DIMENSIONS SHOWN IN INCHES.
2. "D" DIMENSION $\pm 1/16$ " FOR 4" THRU 10" VALVES.
"D" DIMENSION $\pm 1/8$ " FOR 12" THRU 16" VALVES.
3. VALVES MANUFACTURED & TESTED IN ACCORDANCE WITH AWWA SPECIFICATION C-504 LATEST REVISION, CLASS 150B.
4. USE WITH 'TYTON' RUBBER RING GASKET (REG T.M. OF U. S. PIPE AND FOUNDRY CO.)
5. THE VALVE IS DESIGNED FOR IRON OR PVC PIPE WITH CAST IRON EQUIVALENT O D'S (NOT FOR USE WITH IPS O D PIPE)
6. EXTENSION STEM CAN BE USED WITH STANDARD VALVE BOXES OR 5" SOIL PIPE
7. ALSO AVAILABLE IN 24" SIZE, DIMENSIONS AVAILABLE UPON REQUEST.

PIPE SIZE	PIPE O. D.	MIN. MATING I. D.
4	4.80	2.61
6	6.90	4.96
8	9.05	7.22
10	11.10	9.22
12	13.20	10.97
14	15.65	12.56
16	17.80	14.59

VALVE SIZE	A	B	C	D	X
4	5-1/2	4-1/8	6-3/8	10-3/8	3-1/8
6	6-1/2	5-1/8	9	10-3/4	3-1/2
8	7-3/4	6-1/2	11-1/4	12	3-5/8
10	9	9-7/8	14	12-5/8	4-1/8
12	10-1/2	11-3/8	16-3/8	15	5-1/8
14	11-7/8	12-5/8	18-7/8	14-3/4	4-1/2
16	13-1/2	14-1/2	21-1/4	15	4-3/4

ACTUATOR SIZE	J	L	M	N	P	Q	R	NUMBER OF TURNS
MDT-2S	4-11/16	2	2-1/8	2	4-1/2	4-1/2	8-1/4	32
MDT-3S	5-5/8	2-7/16	3-1/4	3-5/32	5-5/8	5-3/8	10-3/8	30
MDT-4S	6-3/8	2-27/32	3-3/8	4	7-5/16	6-3/4	11-5/16	40
MDT-5	7-9/16	3-15/32	4-1/2	5-1/2	8-3/4	10	17	44

REV	DATE	BY	DESCRIPTION	APP.

PRATT HENRY PRATT COMPANY
AURORA, ILL.

4" - 16" BUTTERFLY VALVE
PUSH-ON ENDS
MDT BURIED SERVICE ACTUATOR

SCALE NONE DATE 1-28-09

DRAWN BY CEM CHECKED BY [Signature]

APPROVED GA=BORDER

DRWG NO. GA-11866 REV 0 A/C