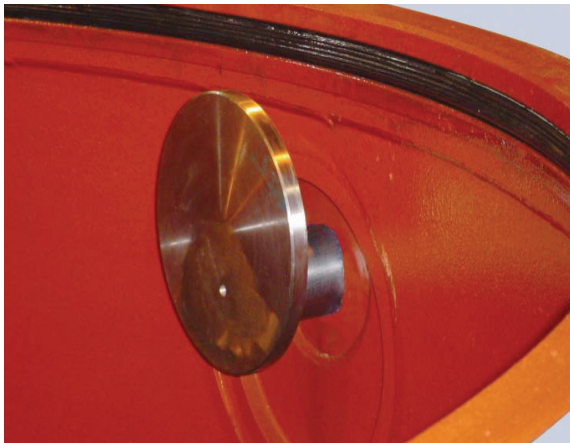
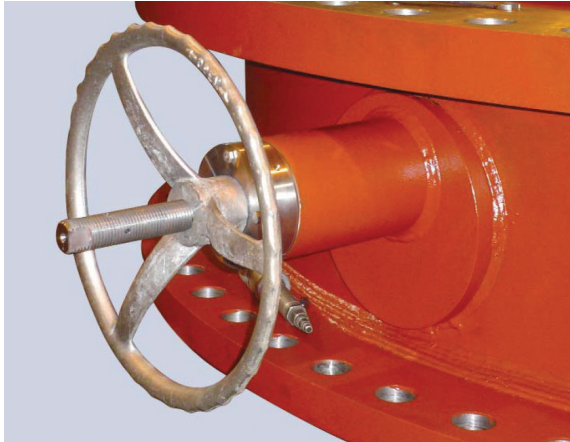




# Pk Posi-Loc Disc Locking Device

401 S. Highland Avenue  
Aurora, IL 60506  
Phone: 877-436-7977  
moreinfo@henrypratt.com  
www.henrypratt.com



The Pk Posi-Loc positively mechanically locks a butterfly valve disc in the closed position.

The device consists of two locking cams which extend into the valve body and internally lock the butterfly disc via an external handwheel.

The valve body is specially modified, incorporating seals for the locking cams. There is one unit on each side of the valve body, 180 degrees apart, to ensure the valve disc cannot rotate open... even if the pins that hold the shaft to the disc were to fail.

## Features

- Positive Lock
- Stainless Steel Wetted Parts
- Externally Engaged

## Benefits

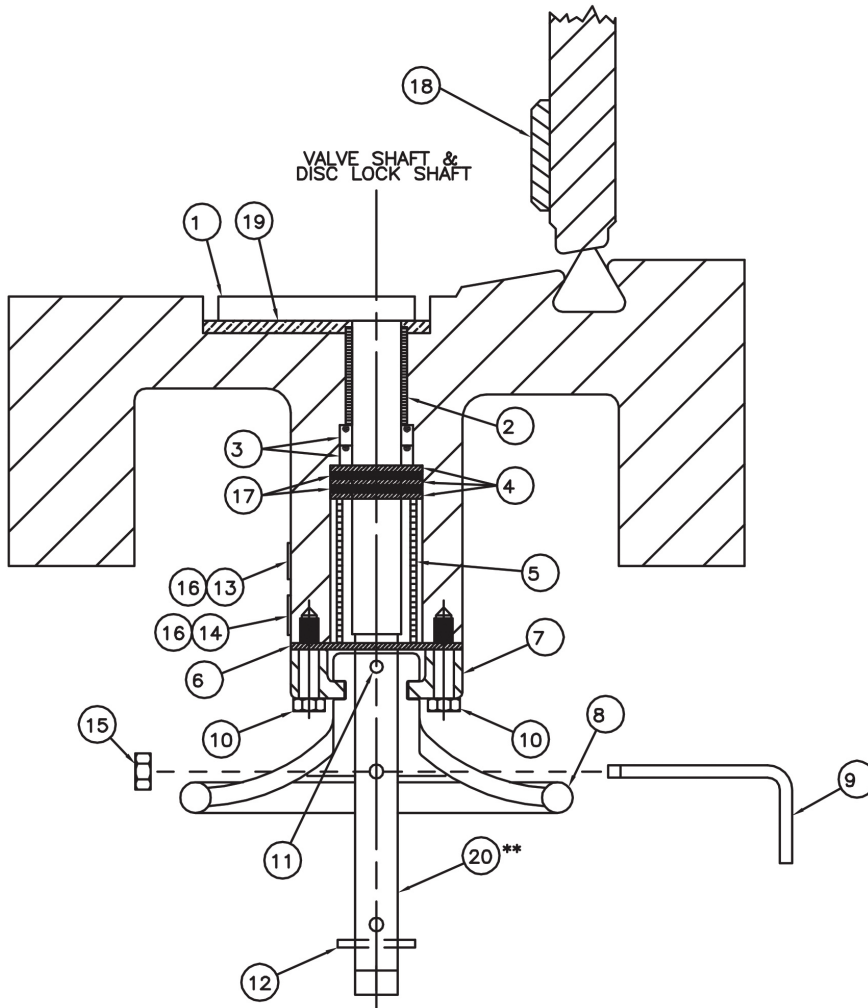
- Allows personnel to enter pipeline for maintenance (customer to verify with local code authorities).
- Reduces plant downtime for maintenance procedures.
- Long term reliability, does not corrode.
- Do not have to enter pipeline to engage.

# Materials of Construction

Item No.	Description	Material	Qty
1	Disc Lock Head	Stainless Steel	2
2	Bearings	Duralon Teflon Lined Fiberglass Backed	2
3	Polypak Seals*	Rubber BUNA-N	4
4	Retaining Plates	Stainless Steel	6
5	Bearings	Duralon Teflon Lined Fiberglass Backed	2
6	Retaining Plate	Stainless Steel	2
7	Hand Wheel Collar	Stainless Steel	2
8	Hand Wheel	Cast Aluminum	2
9	Pin	Stainless Steel	2
10	Cap Screws	Stainless Steel	8
11	Set Screw	Stainless Steel	2
12	Spring Pin	Stainless Steel	2
13	Instruction Tag	Aluminum	2
14	Warning Tag	Aluminum	2
15	Hex Nut	Stainless Steel	2
16	Machine Screw	Stainless Steel	16
17	Wave Spring	Stainless Steel	12
18	Lock Strike Plate	Stainless Steel	2
19	Disc Lock Plate	Stainless Steel	2
20	Screw Shaft	Stainless Steel*	2

\* Pressure boundary item

\*\* Various types of stainless steel are available as required based on the corrosiveness of the fluid being conveyed. However, the holding capacity of the locking device in closed position is typically to hold against system pressure only. The device can be designed to withstand actuator torque and system pressure, as an option.



The trademarks, logos and service marks displayed in this document herein are the property of Henry Pratt Company, LLC, its affiliates or other third parties. Products above marked with a section symbol (§) are subject to patents or patent applications. For details, visit [www.mwppat.com](http://www.mwppat.com).

Copyright © 2016 Henry Pratt Company, LLC. All Rights Reserved.

Form 13811 12/2016