

IBV

Indicating Butterfly Valve

PRODUCT FEATURES

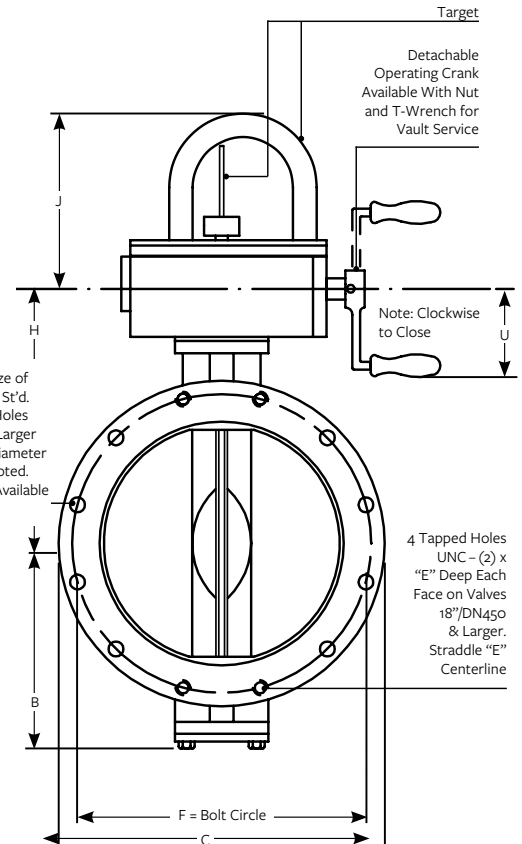
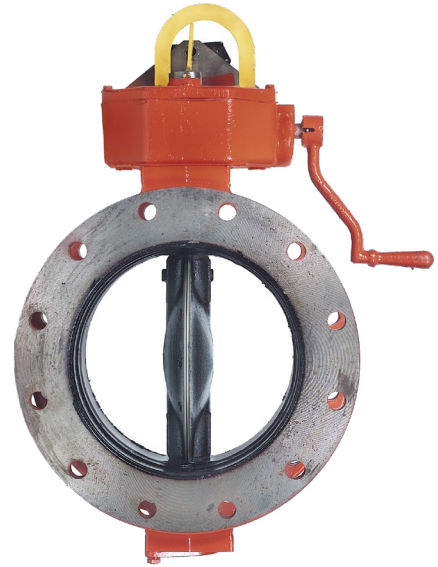
The Pratt® Indicating Butterfly Valve (IBV) is a manually operated rubber seat Butterfly Valve with a high visibility target. The IBV is designed for indoor or vault / chamber service in Fire Protection Systems.

- Flanged IBV size range: 3" – 24" / DN80 – DN600, UL Listed 250 psig / 17 barg.
- Conforms to AWWA C504 standards.
- Tested to UL 1091.
- Equipped with a weather proof Actuator.
- Does not require exercising.

DIMENSIONS - INCHES (MM)

VALVE SIZE	B	C	E	F
3" / DN80	3-3/4 (95)	7-1/2 (191)	13/16 (21)	6 (152)
4" / DN100	4-1/2 (114)	9 (229)	1 (25)	7-1/2 (191)
6" / DN150	5-1/2 (140)	11 (279)	1-1/16 (27)	9-1/2 (241)
8" / DN200	6-3/4 (171)	13-1/2 (343)	1-3/16 (30)	9-1/2 (241)
10" / DN250	9-7/8 (251)	16 (406)	1-1/8 (29)	14-1/4 (362)
12" / DN300	11-3/8 (289)	19 (483)	1-5/16 (33)	17 (432)
14" / DN350	12-5/8 (321)	21 (533)	1-7/16 (36)	18-3/4 (476)
16" / DN400	14-1/2 (368)	23-1/2 (597)	1-1/2 (38)	21-1/4 (540)
18" / DN450	15-1/4 (387)	25 (635)	1-5/8 (41)	22-3/4 (578)
20" / DN500	17 (432)	27-1/2 (698)	1-3/4 (44)	25 (635)
24" / DN600	18-5/8 (473)	32 (813)	1-7/8 (48)	29-1/2 (749)

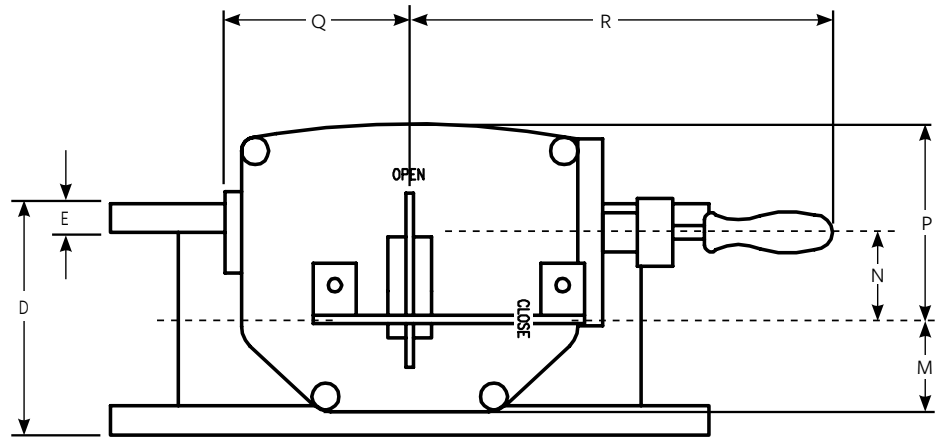
VALVE SIZE	#HOLES-ØG	H	J	U	WT-LBS (KG)
3" / DN80	4 - 5/8 (16)	6-3/8 (162)	7-3/8 (187)	4-9/16 (116)	45 (20)
4" / DN100	8 - 5/8 (16)	7-15/32 (190)	7-3/8 (187)	4-9/16 (116)	90 (41)
6" / DN150	8 - 3/4 (19)	8-1/2 (216)	7-3/8 (187)	4-9/16 (116)	115 (52)
8" / DN200	8 - 3/4 (19)	9-3/4 (248)	7-3/8 (187)	8-9/16 (217)	150 (68)
10" / DN250	12 - 7/8 (22)	11-7/16 (390)	7-21/32 (194)	8-9/16 (217)	260 (118)
12" / DN300	12 - 7/8 (22)	12-15/16 (329)	7-21/32 (194)	8-9/16 (217)	320 (145)
14" / DN350	12 - 1 (25)	14-3/4 (375)	7-21/32 (194)	8-9/16 (217)	405 (184)
16" / DN400	16 - 1 (25)	16-11/32 (415)	9-7/8 (251)	12-9/16 (319)	500 (227)
18" / DN450	16 - 1-1/8 (29)	17-7/32 (437)	9-7/8 (251)	12-9/16 (319)	610 (277)
20" / DN500	20 - 1-1/8 (29)	19-15/32 (494)	11-5/32 (283)	12-9/16 (319)	850 (295)
24" / DN600	20 - 1-1/4 (32)	23-5/16 (592)	12-1/8 (308)	12-9/16 (319)	1285 (583)



DIMENSIONS - INCHES (MM)

VALVE SIZE	D	E
3" / DN80	5 (127)	13/16 (21)
4" / DN100	5 (127)	1 (25)
6" / DN150	5 (127)	1-1/16 (27)
8" / DN200	6 (152)	1-3/16 (30)
10" / DN250	8 (203)	1-1/8 (29)
12" / DN300	8 (203)	1-5/16 (33)
14" / DN350	8 (203)	1-7/16 (36)
16" / DN400	8 (203)	1-1/2 (38)
18" / DN450	8 (203)	1-5/8 (41)
20" / DN500	8 (203)	1-3/4 (44)
24" / DN600	8 (203)	1-7/8 (48)

Note: Dimensions +/- 1/16" (1.5mm) up to 10" / DN250 valves, +/- 1/8" (3mm) for 12" / DN300 and larger valves.



VALVE SIZE	M	N	P	Q	R
3" - 6" / DN80 - DN200	2-1/8 (54)	2 (51)	4-1/2 (114)	4-1/2 (114)	11 (279)
8" / DN200	2-1/8 (54)	2 (51)	4-1/2 (114)	4-1/2 (114)	13-5/16 (339)
10"-14" / DN250 - DN350	3-1/4 (83)	3-5/32 (80)	5 (143)	5-3/8 (137)	15-7/16 (392)
16"-18" / DN400 - DN450	3-3/8 (86)	4 (102)	7-5/16 (186)	6-3/4 (171)	18-3/4 (476)
20" / DN500	4-1/2 (114)	5-1/2 (140)	8-3/4 (222)	10-1/8 (257)	24 (610)
24" / DN600	5-1/2 (140)	3-5/8 (92)	10-1/2 (265)	15-15/16 (405)	26-7/8 (683)

MATERIALS OF CONSTRUCTION

Body	Ductile Iron ASTM A536
Disc	Ductile Iron (3" & 4" / DN80 & DN100 CF8M)
Seat	EPDM or NBR
Shaft	Stainless Steel 17-4

FLANGED CONNECTIONS

Pratt IBV valve bodies are available with Flanged connections. Underwriters Laboratories Listing for Flanged Valves is 250 psig / 17 barg. Each Valve is tested for five minutes with air pressure against a closed disc covered in a pool of water at the pressure above rated pressure required by UL rules. Mechanical Joint end connections also available, please contact us for details.

6125 Preservation Dr., Suite 200, Chattanooga, TN 37416, international@muellercompany.com, P: 800.423.1323

Mueller refers to one or more of Mueller Water Products, Inc., a Delaware corporation ("MWP"), and its subsidiaries. MWP and each of subsidiaries are legally separate and independent entities when providing products and services. MWP does not provide products or services to third parties. MWP and each of its subsidiaries are liable only for their own acts and omissions and not those of each other. MWP brands include Mueller®, Echologics®, Hydro Gate®, Hydro-Guard®, Jones®, Mi.Net®, Milliken®, Pratt®, Singer®, and U.S. Pipe Valve & Hydrant. Please see www.muellerwp.com/about to learn more.

Copyright © 2018 Henry Pratt Company, LLC. All Rights Reserved. The trademarks, logos and service marks displayed in this document are the property of Mueller Water Products, Inc., its affiliates or other third parties. Products above marked with a section symbol (§) are subject to patents or patent applications. For details, visit www.mwppat.com. These products are intended for use in potable water applications. Please contact your Mueller Sales or Customer Service Representative concerning any other application(s).