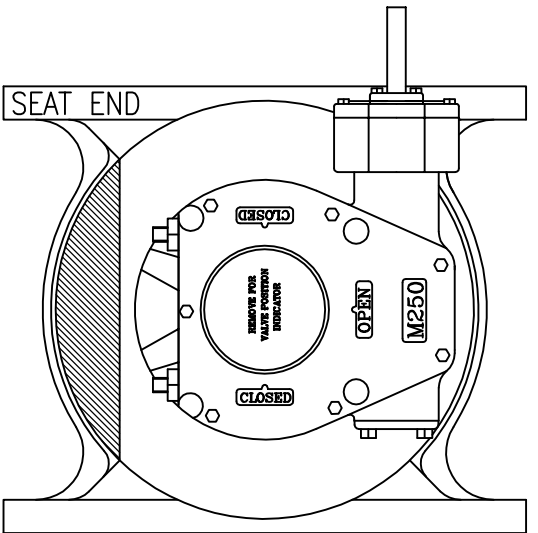
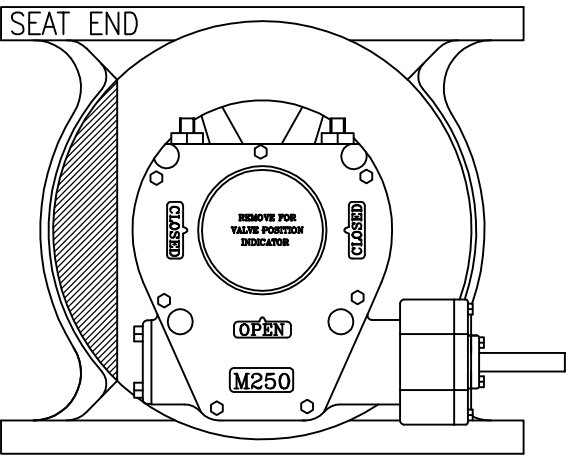


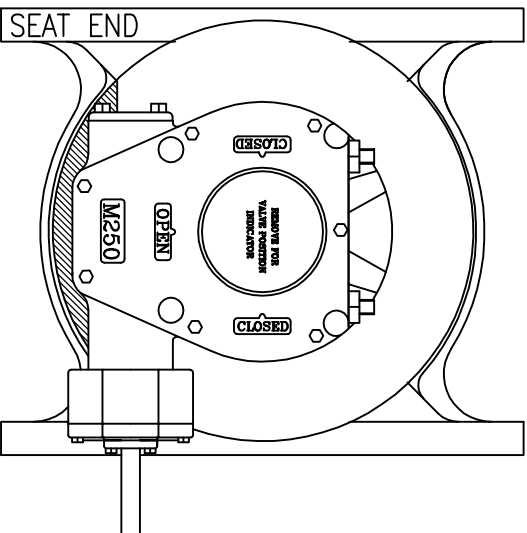
POSITION ONE



POSITION TWO




POSITION THREE



POSITION FOUR

NOTES:

- 1- OPERATOR MOUNTING POSITIONS FOR MILLIKEN M250, AND M300 GEARS OR ACTUATOR WITH SAME HAND WHEEL ORIENTATION.
- 2- VALVE SHOWN IN OPEN POSITION.
- 3- POSITIONS ARE SAME FOR MECHANICAL JOINT VALVES.
- 4-  SYMBOL DENOTES VALVE IS OPEN.
- 5- M250 IMAGE SHOWN ON THE DRAWING.
- 6- USE 24" HANDWHEEL WITH 12" EXTENSION ON MOUNTING POSITIONS TWO AND FOUR

REF. DWG: DA9013B

ISSUE NUM.		PRATT		BY	DATE	SCALE
DATE	REVISIONS	AA	07/09/15	AA	07/09/15	NONE
		CHK'D:	JC	DIMENSION:	JC	INCHES
TITLE: OPERATOR MOUNTING POSITIONS LARGE GEARS AND ACTUATORS						
DWG. NO.					HP46189A	