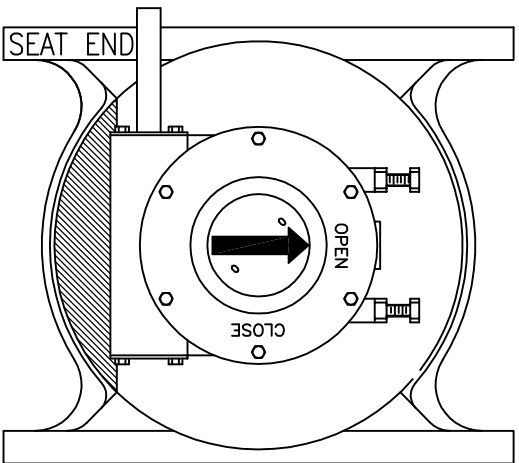
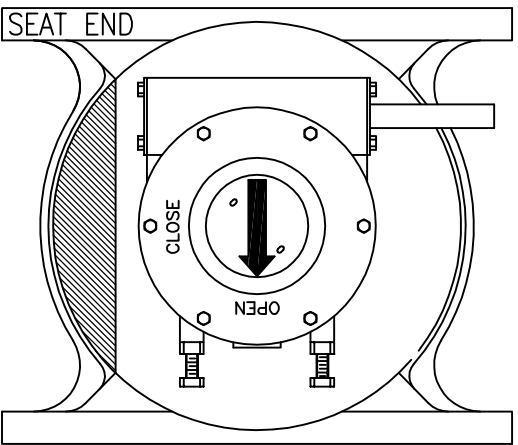


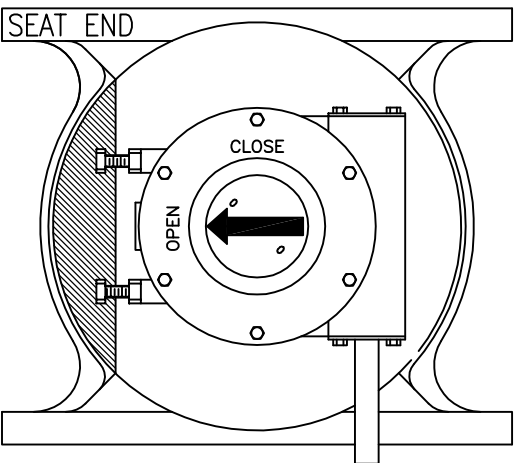
POSITION ONE



POSITION TWO




POSITION THREE



POSITION FOUR

NOTES:

- 1- OPERATOR MOUNTING POSITIONS FOR MILLIKEN M2, M3, M5, AND M8 GEARS OR ACTUATOR WITH SAME HAND WHEEL ORIENTATION.
- 2- VALVE SHOWN IN OPEN POSITION.
- 3- POSITIONS ARE SAME FOR MECHANICAL JOINT VALVES.
- 4-  SYMBOL DENOTES PLUG POSITION WHEN VALVE IS OPEN.

- 5- IN POSITION 2 OR 4 CHANGES TO BOM FOR FOLLOWING SIZES.
 - * 8" VALVE USE 6" DIA. HANDWHEEL.
 - * 10" VALVE USE RISER RING.
 - * 14" TO 18" VALVES USE 12" HANDWHEEL WITH 6" EXTENSION.
 - * 20" VALVE USE 12" HANDWHEEL WITH 12" EXTENSION.

THIS DRAWING IS THE PROPERTY OF MILLIKEN VALVE COMPANY AND MUST NOT BE USED IN ANY WAY PREJUDICIAL TO THEIR INTERESTS

ISSUE NUM.		PRATT		BY	DATE	SCALE
01	07/12	ADDED NOTE 5 [COR# 615]	JC	JC	08/09	NONE
REVISIONS			CHK'D:	BJ	DIMENSION:	INCHES
TITLE: OPERATOR MOUNTING POSITIONS FOR GEARS AND ACTUATORS WITH 20" AND SMALLER VALVES						
DWG. NO. HP46189						

REF. DWG: D49013A