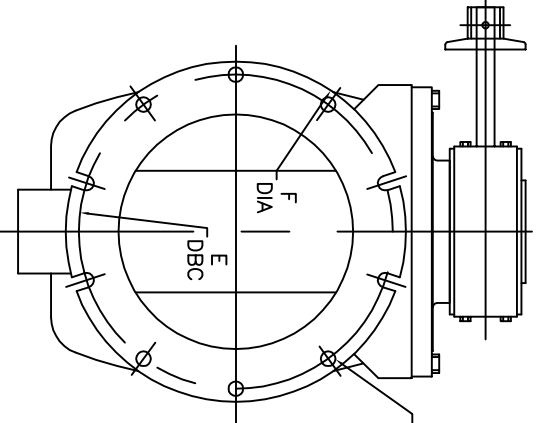
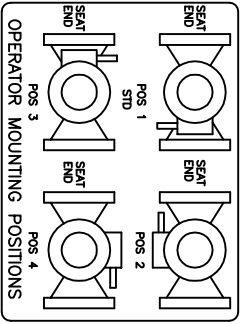
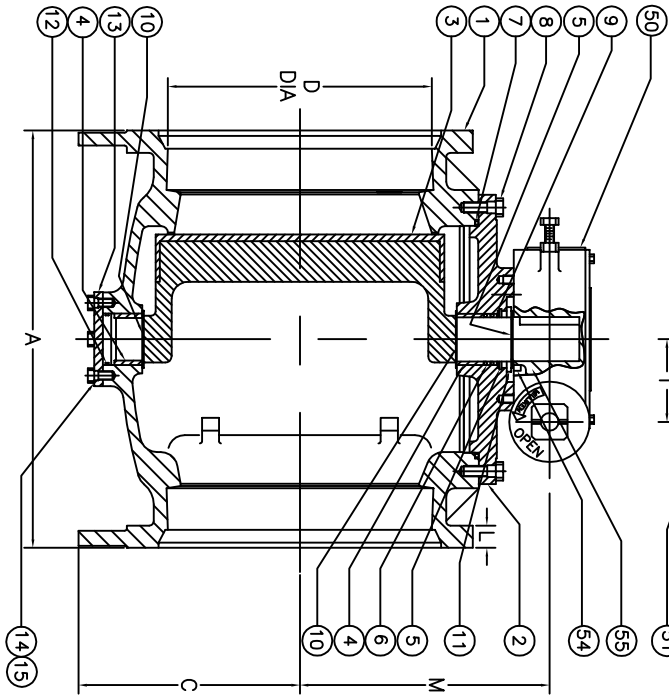
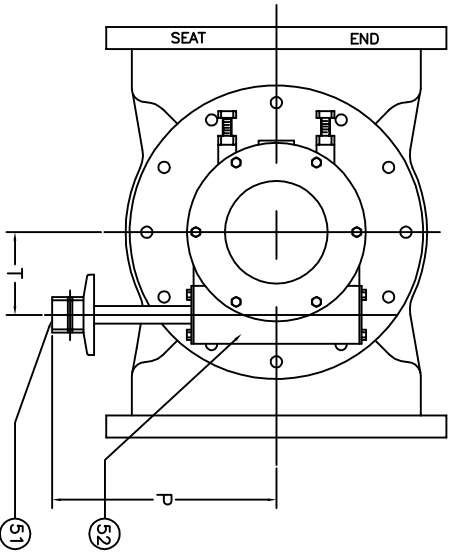


REFERENCE ONLY



H DIA. OF DRILLED HOLES  
H NO. OF DRILLED HOLES

VALVE SIZE	A	C	D	E	F	G	H	L	M	P	T	GEAR SIZE
14	24.50	13	14	18.75	20.31	0.88	10	1.31	15.06	10	4.75	M80
16	27.25	14	16	21	22.56	0.88	12	1.38	15.81	10	4.75	M80
18	29.25	15	18	23.25	24.84	0.88	12	1.44	17	10	4.75	M80
20	31	16	20	25.50	27.06	0.88	14	1.50	20.44	10	4.75	M80

55	1	QUADRANT	DUCTILE IRON
54	2	SLEEVE BEARING	BRONZE
52	1	WORM GEAR	STEEL
51	1	2" NUT	DUCTILE IRON
50	1	HOUSING	DUCTILE IRON
15	AR	LOCKWASHER	STEEL/ZINC
14	AR	CAP SCREW	STEEL/ZINC
13	1	TRUNION COVER	CAST IRON
12	1	O RING	ELAS. AS SPEC.
11	1	SUPPORT WASHER	STEEL
10	2	WASHER	PTFE
9	1	WASHER	BRASS
8	AR	CAP SCREW	STEEL/ZINC
7	1	O RING	ELAS. AS SPEC.
6	2	U CUP SEALS	ELAS. AS SPEC.
5	2	RETAINING RING	SPRING STEEL
4	2	SLEEVE BEARING	316 STN. STEEL
3	1	PLUG ELASTOMER AS SPEC.	DUCTILE IRON
2	1	CAP	A126 CL B
1	1	BODY	A126 CL B

THIS DRAWING IS THE PROPERTY OF  
HENRY PRATT COMPANY  
AND MUST NOT BE USED IN ANY WAY  
PREJUDICIAL TO THEIR INTERESTS

PRATT		BY	DATE	SCALE
HENRY PRATT COMPANY		SS	07/03	NONE
DATE	REVISIONS	CHK'D	DIMENSIONS INCHES	
			1 1/4" - 20"	
			PLUG VALVE, MJ ENDS, GEAR OPERATED W/ 2" NUT	
			DWG. NO. HP49295	