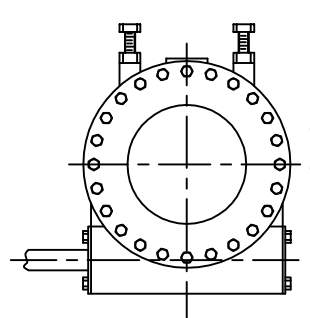
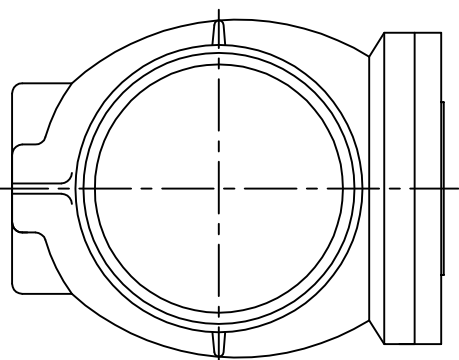
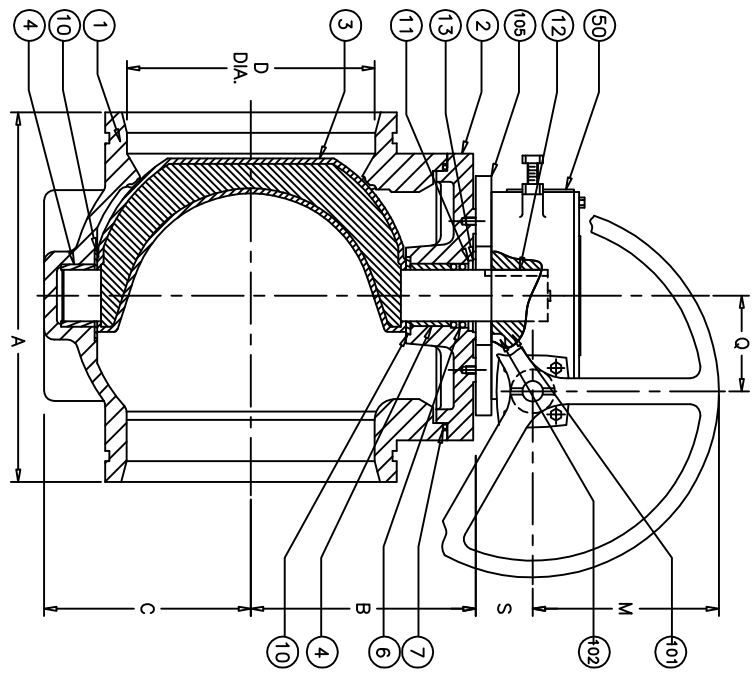
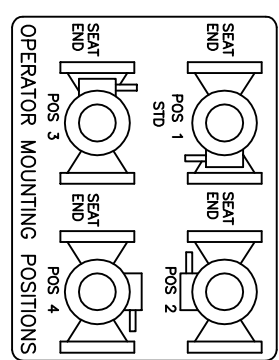
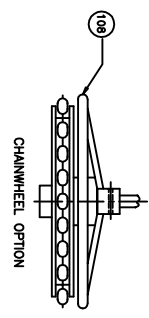


2" NUT OPTION



MEMORY STOP GEARBOX OPTION



VALVE SIZE	DUCT. PIPE	A	STEEL PIPE	B	C	D	M	N	P	Q	S
3	N/A	8.5	3.34	3.75	3	3	6	6	9.5	2.56	2.25
4	10.25	10.13	4.31	4.5	4	3	6	6	9.5	2.56	2.5
5	N/A	12.38	5.56	5.75	5	3	6	6	9.5	2.56	2.5
6	12.5	12.38	5.56	5.75	6	3	6	6	9.5	2.56	2.5
8	14	13.88	7.38	7.63	8	6	12	12	9.5	3.16	2.25
10	16.56	16.44	9.13	8.88	10	6	12	12	11.25	4.63	2.5
12	18	18	10.81	10.81	10	12	6	12	11.25	4.63	2.5

THIS DRAWING IS THE PROPERTY OF HENRY PRATT COMPANY AND MUST NOT BE USED IN ANY WAY PREJUDICIAL TO THEIR INTERESTS

108	1	CHAINWHEEL	DUCTILE IRON
106	1	SPRING PIN	STEEL
105	1	RISER PLATE	CAST IRON
104	1	WORMGEAR	STEEL
103	1	HANDWHEEL	DUCTILE IRON
102	2	SLEEVE BEARING	BRONZE
101	1	QUAD GEAR	DUCTILE IRON
50	1	HOUSING	CAST IRON
13	1	RETAINING RING	SPRING STEEL
12	1	KEY	STEEL
11	1	WASHER	BRASS
10	2	WASHER	PTFE
9	1	INDICATOR CAP	PLASTIC
7	1	'O' RING	ELAS. AS SPEC.
6	2	'U' CUP SEALS	ELAS. AS SPEC.
4	2	SLEEVE BEARING	316 STN. STEEL
3	1	PLUG ELASTOMER AS SPEC.	DUCTILE IRON
2	1	BONNET	CAST IRON
1	1	BODY	DUCTILE IRON

DATE: _____ BY: _____ DATE: _____

REVISIONS: _____ BY: _____ DATE: _____

Henry Pratt
 TITLE: 3"-12" PLUG VALVE GROOVED END, GEAR OPERATED, W/ HANDWHEEL OR 2" NUT MEMORY GEAR OPT.
 DWG. NO. HP 49318