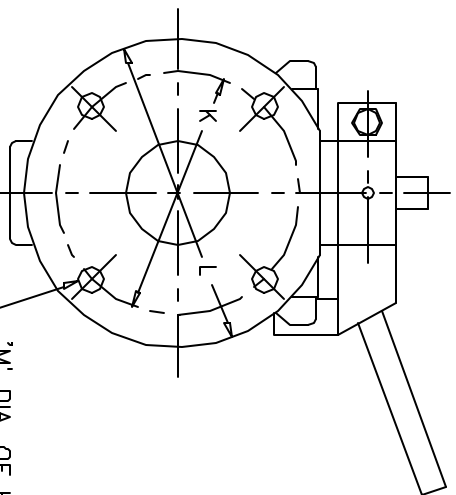
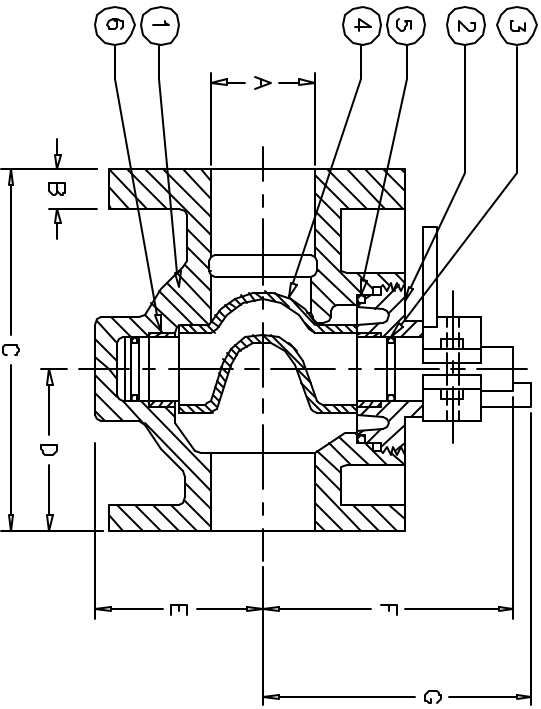
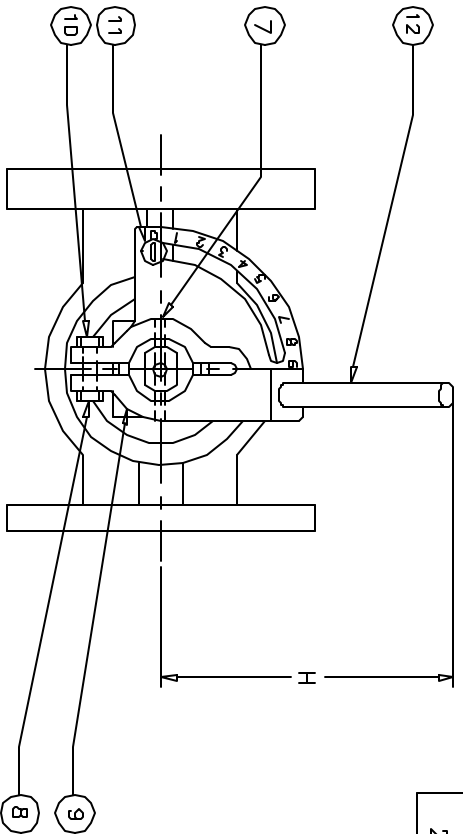


VALVE SIZE	A	B	C	D	E	F	G	H	K	L	M	N
2	2.0	0.63	7.0	3.25	3.19	5.06	7.25	7.75	4.75	6.0	0.75	4.0



'M' DIA. OF HOLES  
'N' NO. OF HOLES

THIS DRAWING IS THE PROPERTY OF  
HENRY PRATT COMPANY  
AND MUST NOT BE USED IN ANY WAY  
PREJUDICIAL TO THEIR INTERESTS

ITEM	QTY	DESCRIPTION	MATERIAL
12	1	HANDLE	STEEL
11	1	MEMORY STOP	STEEL/ZINC
10	1	LOCKNUT	STEEL
9	1	TORQUE COLLAR	ALUMINUM
8	1	MACHINE SCREW	STEEL
7	1	SPRING PIN	STEEL
6	2	BUSHING	BRONZE
5	1	O-RING	AS SPECIFIED
4	1	PLUG	DUCTILE IRON
3	3	O-RING	AS SPECIFIED
2	1	CAP	A 126 CL B
1	1	BODY	A 126 CL B

**PRATT**  
Henry Pratt Company

DATE: \_\_\_\_\_ REVISIONS: \_\_\_\_\_ BY: \_\_\_\_\_

BY: \_\_\_\_\_ DATE: 6/03 SCALE: NONE  
CHK'D: \_\_\_\_\_ DIMENSIONS: INCHES

TITLE: 2" PLUG VALVE, FLANGED ENDS, W/ MEMORY STOP & TORQUE COLLAR

DWG. NO. HP 49345