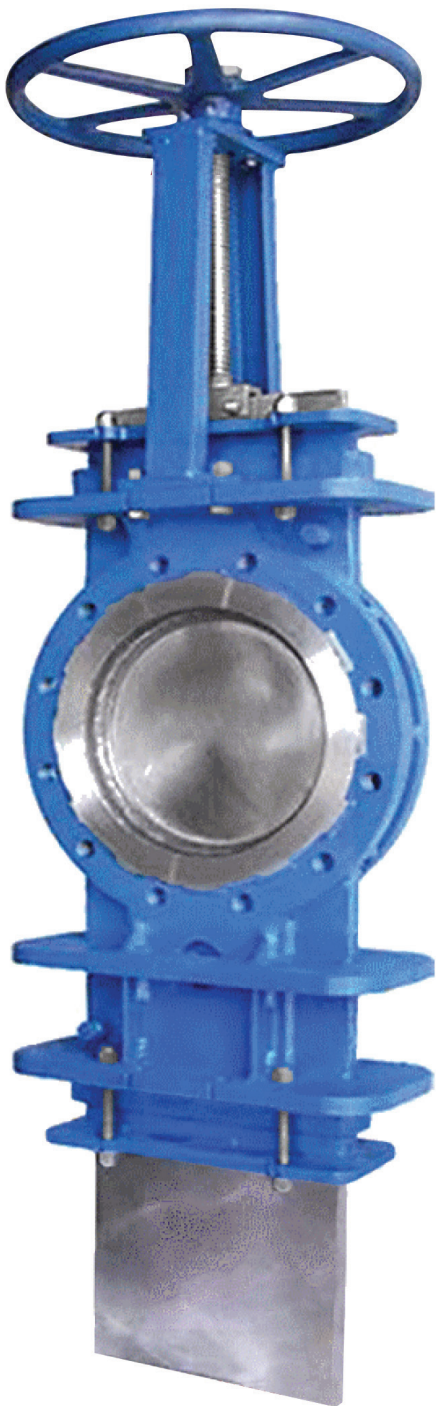


675 Mitchell Avenue
Woodland, WA 98674
Phone: 360-225-1230
888-256-5779
Fax: 360-225-1235
www.henrypratt.com

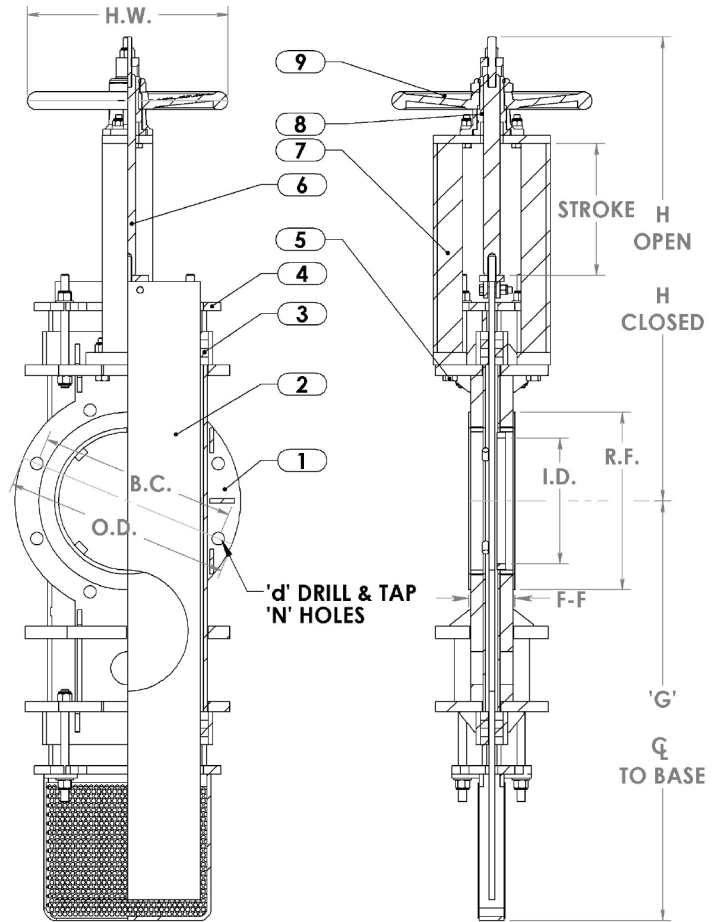


Features

- Fabricated stainless steel lined body ideally suited for wet or dry dense and abrasive media.
- Stainless steel stem, gate, seat, body liner, and raised face.
- Body cavity, seat configuration, and beveled gate designed to provide shut-off capability in thick media such as pulp stock and slurries, or with solid media like pellets and powders.
- Smooth flow non-clogging full port design.
- Heavy duty body design resists deflection from line loads and internal pressure.
- Gate design withstands full 150 PSI pressure as required by MSS SP-81.
- Valve seat face is protected by gate in both open and closed positions.
- Enclosed bronze stem bushing reduces operating torque and protects the stem bushing in harsh environments.
- Full range of operators available including handwheel, chainwheel, bevel gear, hydraulic or pneumatic cylinder, fail safe spring cylinder, or electric motor.
- Can be manufactured in special materials such as Alloy 20, Hastelloy, Titanium, and Monel for severe services. Coatings can be added to protect blade.
- Wiper available in packing to provide gate support and stabilize packing seal.
- Flanges meet ANSI B16.5-150 standards with all tapped holes and serrated gasket faces.
- Hard faced seat available to prevent galling in high cycle and/or high end pressure or abrasive applications.
- V-Port or O-Ring resilient seats available to suit specific applications.
- Standard TFE lubricated synthetic packing (TLSP) rated to 500°F and pH range of 3-11.
- Available in standard sizes 3 - 36".
- Custom designed sizes, pressures, and configurations available.

#	Materials Code	W44	A44
1	Body, Seat, RF, Flanges, Ext. Trim	304	304
2	Gate	304	304
3	Packing	TFE/SYN	TFE/SYN
4	Packing Gland	Steel	304
5	Bolting	Plated	304
6	Stem & Clevis	304	304
7	Yoke	Steel	304
8	Stem Bushing	Bronze	Bronze
9	Handwheel	Cl	Cl

#	Materials Code	W66	A66	A77
1	Body, Seat, RF, Flanges, Ext. Trim	316	316	317
2	Gate	316	316	317
3	Packing	TFE/SYN	TFE/SYN	TFE
4	Packing Gland	Steel	316	317
5	Bolting	Plated	304	304
6	Stem & Clevis	304	304	304
7	Yoke	Steel	304	304
8	Stem Bushing	Bronze	Bronze	Bronze
9	Handwheel	Cl	Cl	Cl



Dimensions (Inches) and Weights

	Size	3	4	6	8	10	12	14	16	18	20	24
Face-to-Face	F-F	2	2	2-1/4	2-3/4	2-3/4	3	3	3-1/2	3-1/2	4-1/2	4-1/2
Flange OD	OD	7-1/2	9	11	13-1/2	16	19	21	23-1/2	25	27-1/2	32
Bolt Circle	BC	6	7-1/2	9-1/2	11-3/4	14-1/4	17	18-3/4	21-1/4	22-3/4	25	29-1/2
Flanged Raised Face	RF	5	6-3/16	8-1/2	10-5/8	12-3/4	15	16-1/4	18-1/2	21	23	27-1/4
No. of Bolt Holes	N	4	8	8	8	12	12	12	16	16	20	20
Hole D&T Size	D	5/8"-11	5/8"-11	3/4"-10	3/4"-10	7/8"-9	7/8"-9	1"-8	1"-8	1-1/8"-7	1-1/8"-7	1-1/4"-7
Gate Guard	G	11-11/16	13-1/4	19-1/8	25-9/16	18-7/8	34-3/4	40-1/4	43-5/8	51-3/8	54	64-7/8
Stroke	Stroke	2-13/16	3-7/8	5-3/4	7-5/8	9-3/4	11-3/4	13-3/4	15-3/8	17-3/4	19	23
C/L to Top-Closed	H-CLS	17-5/8	21	23-3/8	27-3/8	30-1/4	25-3/8	39-5/8	43-1/2	44-3/8	47-7/8	58-5/8
C/L to Top-Open	H-OPN	20-1/2	25	29	35	39-7/8	35-1/8	53-5/8	58-7/8	62-1/8	66-7/8	81-5/8
Handwheel Dia.	H/W	8	8	12	12	16	16	20	20	20	20	24
Weight - lbs	WT	75	92	122	170	245	340	445	565	640	915	1145
Seat ID	ID	2-1/2	3-1/2	5-1/4	7-1/4	9	11-1/4	12-13/16	14-3/4	16-3/4	18	22-1/4

The trademarks, logos and service marks displayed in this document herein are the property of Henry Pratt Company, LLC, its affiliates or other third parties. Products above marked with a section symbol (§) are subject to patents or patent applications. For details, visit www.mwppat.com.

Copyright © 2016 Henry Pratt Company, LLC. All Rights Reserved.
Form 13248 9/2016