

$\phi 3/8$ DRILL THRU IN FIELD BY CUSTOMER FOR SPRING PIN FURNISHED BY PRATT

2" STD
AWWA NUT

NOTES:

1. ALL DIMENSIONS SHOWN IN INCHES
2. ALL ITEMS ARE SHIPPED LOOSE FROM VALVE ASSEMBLY.
3. FIELD ASSEMBLY IS REQUIRED BY OTHERS.
4. SLIDING ARM TO BE CUT AS REQUIRED FOR EXTENSION STEMS LOCATED 13" TO 20" FROM WALL IN FIELD BY CUSTOMER.
5. MAX 10' SHAFT DEFLECTION.
6. COUPLING FURNISHED FOR 20'-0" LENGTHS AND ABOVE.

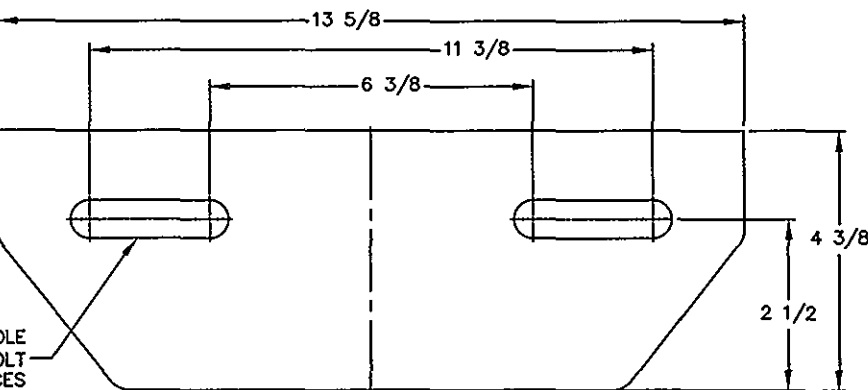
$\phi 1 1/4$ EXTENSION STEM CUT TO LENGTH IN FIELD BY CUSTOMER

FOR STEM LOCATED 15 1/2 TO 17 1/2 FROM WALL CUSTOMER TP REMOVE RIB IN FIELD

DRIVE COLLAR

5/16 SET SCREW FURNISHED W/ EXT ASSY KIT TO BE ASSEMBLED IN FIELD BY CUSTOMER

2 MIN - 36 MAX
ADJUSTABLE



VIEW A-A

REV	DATE	BY	DESCRIPTION	APP.
<p>PRATT</p>			<p>HENRY PRATT COMPANY AURORA, ILL.</p>	
<p>ADJUSTABLE STEADY BEARING EXTENSION STEM W/2 U-JOINTS</p>				
<p>SCALE <u>NONE</u> DATE <u>03/07/05</u></p>				
<p>DRAWN BY <u>BZ</u> CHECKED BY <u>ES</u></p>				
<p>APPROVED <u>I CA-BORDER</u></p>				
<p>DRWG. NO. GA-11392</p>				<p>REV 0 ¹/_c</p>