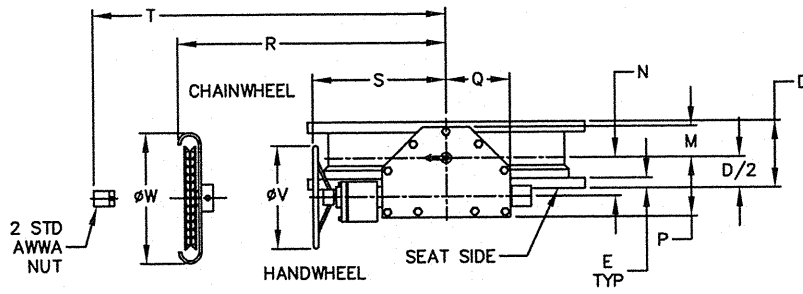


ACTUATOR SIZE	J	L	M	N	P	Q	R	S	T	V	W	NUMBER OF TURNS
MDT-4S	6-3/8	2-27/32	3-3/8	4	7-5/16	6-3/4	11-5/16	11-1/2	11	12	9-1/8	40
MDT-5	7-9/16	3-15/32	4-1/2	5-1/2	8-3/4	10	17	17 3/16	17-3/16	18	16-7/16	44
MDT-5S	8-5/16	3-15/16	5-1/2	7	10-1/2	15-15/16	19-7/8	20	19-13/16	24	22-1/4	136
MDT-6S	10-3/16	5-1/16	7	8-1/4	12-5/8	14-3/16	26-1/2	27-3/4	27-1/2	24	22-1/4	215



VALVE SIZE	A	B	C	D	E	F	G
24	18-5/8	18-3/8	32	8	1-7/8	20/1-1/4	29-1/2
30	21-1/2	24-1/8	38-3/4	12	2-1/8	28/1-1/4	36
36	25-7/16	28-1/4	46	12	2-7/16	32/1-1/2	42-3/4
42	29-7/8	32-11/16	53	12	2-5/8	36/1-1/2	49-1/2
48	34-1/16	36-7/8	59-1/2	15	2-3/4	44/1-1/2	56
54	37-1/2	40-9/16	66-1/4	15	3	44/1-3/4	62-3/4
60	41-3/4	44-13/16	73	15	3-1/8	52/1-3/4	69-1/4
66	46-1/16	49-1/8	80	18	3-7/16	52/1-3/4	76
72	50	53-1/16	86-1/2	18	3-1/2	60/1-3/4	82-1/2



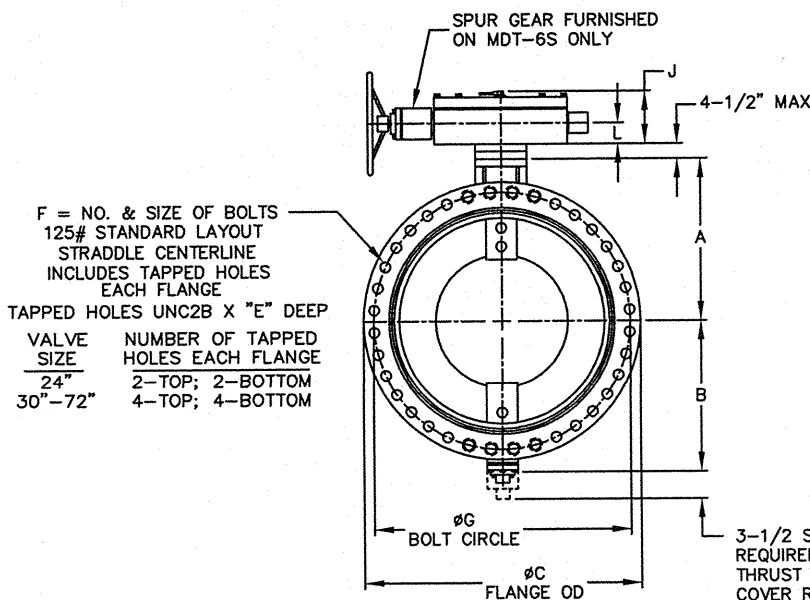
ACTUATOR POSITION 1



TOLERANCES	
FLANGE THICKNESS "E":	$\pm 1/4"$
LAYING LENGTH "D":	
24" THRU 72"	$\pm 1/8"$
BOLT CIRCLE "G":	$\pm 1/16"$
FLANGE O.D. "C":	
24" THRU 48"	$\pm 3/16"$
54" THRU 72"	$\pm 1/4"$

NOTES:

- ALL DIMENSIONS SHOWN IN INCHES.
- "D" DIMENSION $\pm 1/8"$.
- DRILLING OF END FLANGES CONFORM TO THE AMERICAN CAST IRON FLANGE STANDARDS, CLASS 125 (B16.1).
- CAUTION: IT IS RECOMMENDED THAT VALVES BE INSTALLED INTO THE PIPING SYSTEM IN ACCORDANCE WITH AWWA M-11 IN ORDER TO PREVENT ANY UNDUE PIPING STRESS, DEFLECTION OR BENDING THAT MAY EFFECT THE PERFORMANCE OF THE VALVE.



F = NO. & SIZE OF BOLTS
125# STANDARD LAYOUT
STRADDLE CENTERLINE
INCLUDES TAPPED HOLES
EACH FLANGE

TAPPED HOLES UNC2B X "E" DEEP

VALVE SIZE	NUMBER OF TAPPED HOLES EACH FLANGE
24"	2-TOP; 2-BOTTOM
30"-72"	4-TOP; 4-BOTTOM

REV	DATE	BY	DESCRIPTION	APP.
△	6/11/13	JTC	UPDATED TITLE BLOCK	MLB
△	8/29/11	CEM	UPDATED TITLE BLOCK	MLB
△	4/26/11	JLM	REV. COLUMN B, ADD TOL	RCB
△	12-10-10	CEM	ADDED SIZES	JR
△	7-28-10	CEM	CORRECT FLG DRILL PICT	JR
△	10-6-09	SK	36E WAS 2-3/8	RCB
△	5-26-06	CEG	UPDATED TITLE BLOCK	JR

PRATT HENRY PRATT COMPANY
AURORA, ILL.

24"-48" HP250 II FLG BFV
B16.1 CL125 DRILLING
MDT MANUAL

SCALE NONE DATE 9-9-05
DRAWN BY ES CHECKED BY JMR
APPROVED GA=BORDER
DRWG. NO. GA-11477 REV 7