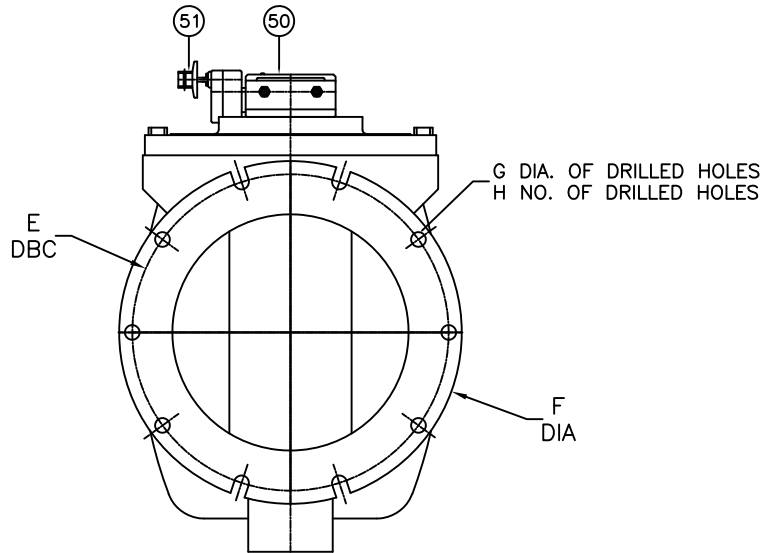
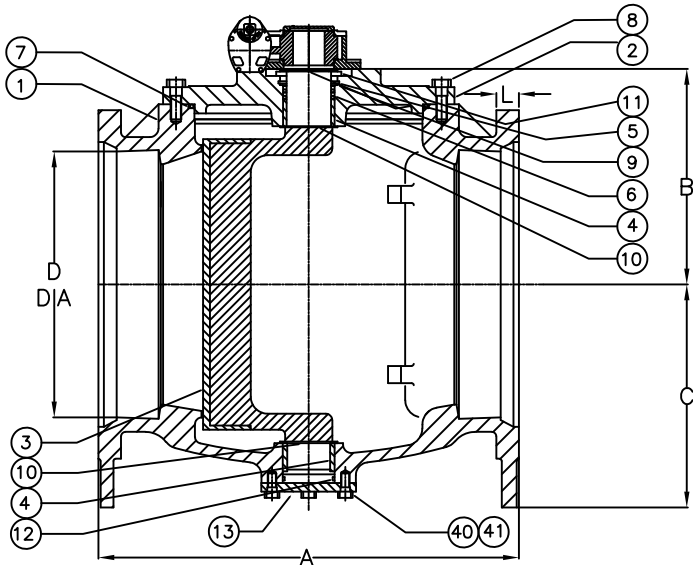
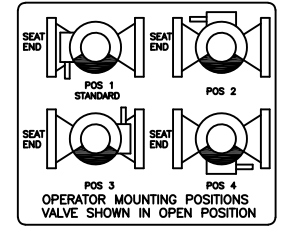
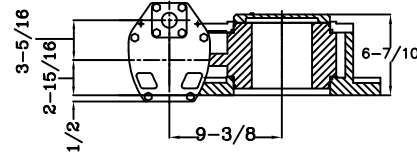
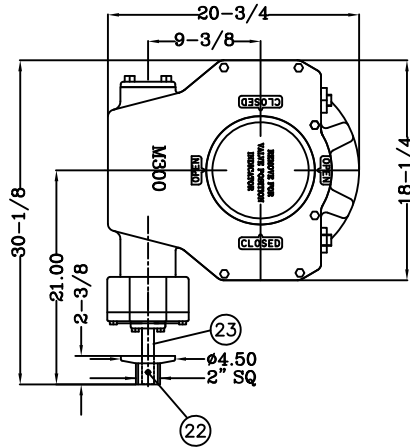
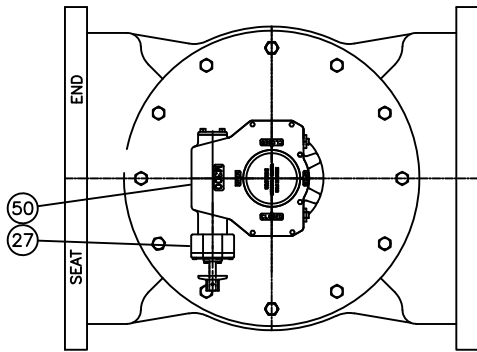


VALVE SIZE	A	B	C	D	E	F	G	H	L
36	60	27-5/8"	29.00	36	43-3/4"	46.00	1-1/8"	24	2.00



51	1	2" NUT	DUCTILE IRON	
50	1	M-BURIED GEAR	-	
41	AR	LOCKWASHER	<input type="checkbox"/> STEEL	<input type="checkbox"/> STN. STEEL
40	AR	CAP SCREW	<input type="checkbox"/> STEEL	<input type="checkbox"/> STN. STEEL
27	2	SPUR GEAR	-	
23	1	GEAR STEM	STEEL SAE 1045	
22	1	SPRINGPIN	STEEL	
13	1	TRUNION COVER	CAST IRON	
12	1	O RING	ELAS. AS SPEC.	
11	1	SUPPORT WASHER	STEEL	
10	2	GRIT SEAL	PTFE	
9	1	SEAL RETAINING RING	STEEL	
8	AR	H.H. CAP SCREW	<input type="checkbox"/> STEEL	<input type="checkbox"/> STN. STEEL
7	1	O RING	ELAS. AS SPEC.	
6	2	U CUP SEALS	ELAS. AS SPEC.	
5	2	RETAINING RING	SPRING STEEL	
4	2	SLEEVE BEARING	STN. STEEL	
3	1	PLUG ELASTOMER AS SPEC.	DUCTILE IRON	
2	1	CAP	CAST IRON	
1	1	BODY	CAST IRON	
ITEM	QTY.	DESCRIPTION	MATERIAL	

ISSUE NUM.	PRATT		BY FS	DATE 09/09	SCALE NONE
			CHK'D JON COLPAN		DIM. INCHES
	TITLE: 36" Fig. 600 MPV MECHANICAL JOINT VALVE M300 GEAR w/ 2" NUT				
1	8/14	ADDED PLUG MATERIAL	AL	AA	
2	2/17	REMOVED CI MAT'L OPTION FOR PLUG	JCL	RF	
3	8/17	REMOVED 42" VALVE SIZE UPDATED TITLE BLOCK	JCL	JL	
DWG. NO. HP49725					