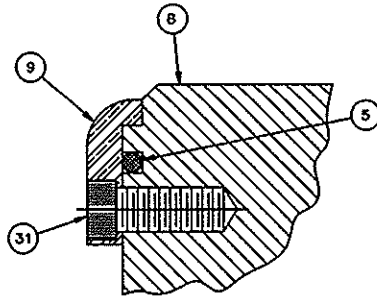


CROSS SECTION PARTS AND MATERIALS LIST SINGLE RUBBER SEAT E-LOK BALL VALVE

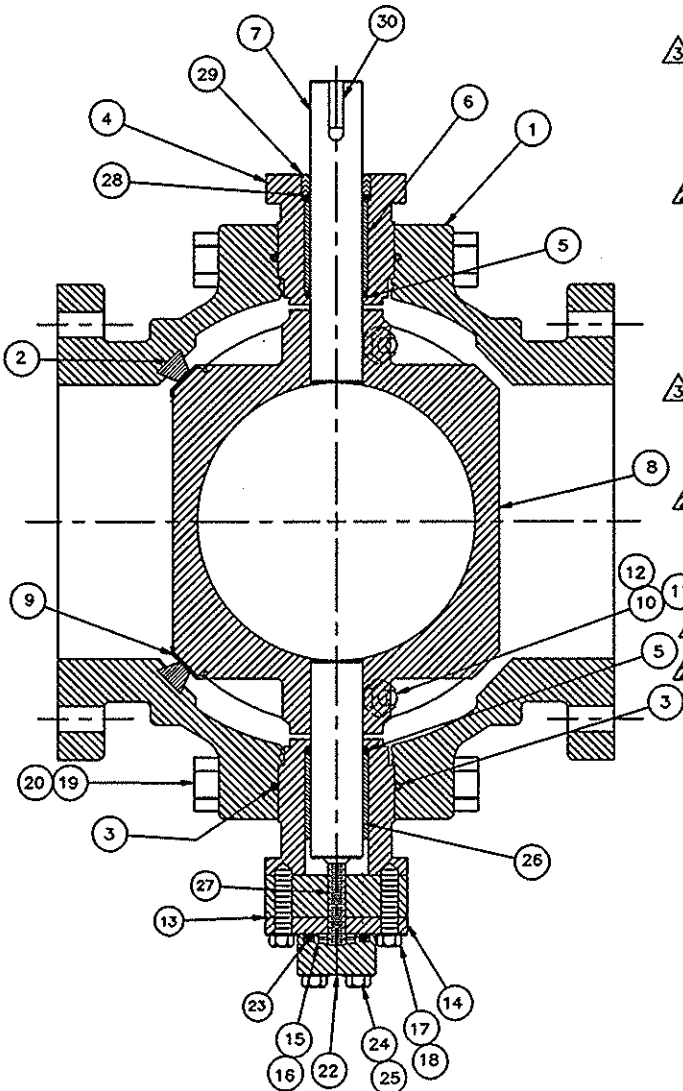
DRAWING NO.
S-2021

DATE
05-07-01

BY M.J.H. APP. D.W.B.



SEAT DETAIL
 6" 8" AND 10"
 BALL VALVES ONLY



ITEM NO.	DESCRIPTION	MATERIALS	✓
1	END PIECE	CAST IRON ASTM A-126 CLASS B	
		DUCTILE IRON ASTM A-536 (65-45-12)	
2	RUBBER SEAT	RUBBER BUNA-N	
3	O-RING	RUBBER BUNA-N	
4	CENTERPIECE	CAST IRON ASTM A-126 CLASS B	
		DUCTILE IRON ASTM A-536 (65-45-12)	
5	O-RING	RUBBER BUNA-N	
6	BEARINGS	DURALON	
7	TOP STUB SHAFT	STAINLESS STEEL ASTM A-276 TYPE 304	
		STAINLESS STEEL ASTM A-276 TYPE 316	
8	ROTOR	CAST IRON ASTM A-48 CLASS 40	
		DUCTILE IRON ASTM A-536 (65-45-12)	
9	ROTOR EDGE	STAINLESS STEEL ASTM A-240 TYPE 316	
10	TAPER PINS	STAINLESS STEEL ASTM A-276 TYPE 304	
11	LOCKWASHERS	STAINLESS STEEL 18-8 TYPE 304	
12	HEX NUTS	STAINLESS STEEL 18-8 TYPE 304	
13	BOTTOM COVER GASKET	NON ASBESTOS MATERIAL ASTM F104	
14	BOTTOM COVER	CAST IRON ASTM A-126 CLASS B	
		DUCTILE IRON ASTM A-536 (65-45-12)	
15	THRUST COLLAR	BRONZE BAR ASTM B-505 ALLOY C-93200	
16	GROOVE PIN	ALLOY STEEL	
17	CAP SCREW	CARBON STEEL SAE GRADE 2 (ZINC PLATED)	
		STAINLESS STEEL TYPE 304	
		STAINLESS STEEL TYPE 316	
18	LOCTITE	GRADE CV	
19	STUD	CARBON STEEL AISI B12L14	
20	HEX NUT	CARBON STEEL SAE GRADE 2 (ZINC PLATED)	
21	LOCTITE	GRADE CV	
22	BOTTOM COVER CAP	CAST IRON ASTM A-126 CLASS B	
		DUCTILE IRON ASTM A-536 (65-45-12)	
23	O-RING	RUBBER BUNA-N	
24	CAP SCREW	CARBON STEEL SAE GRADE 2 (ZINC PLATED)	
		STAINLESS STEEL TYPE 304	
		STAINLESS STEEL TYPE 316	
25	LOCTITE	GRADE CV	
26	BOTTOM STUB SHAFT	STAINLESS STEEL ASTM A-276 TYPE 304	
		STAINLESS STEEL ASTM A-276 TYPE 316	
27	THRUST BEARING STUD	STAINLESS STEEL TYPE 304	
		STAINLESS STEEL TYPE 316	
28	BOTTOM PKG RTNR	NYLON 101	
29	PACKING	RUBBER BUNA-N	
30	KEY	AISI C1045 COLD DRAWN STEEL	
31	CAP SCREW	STAINLESS STEEL TYPE 304	

08-31-04	BB	JR	ADDED STN. STL. OPTIONS	4-27-06	CEG	ADDED D. I. OPTION TO ITEM 1, 4, 14 & 22
07-23-03	EBS	JR	ADDED DUCTILE IRON OPTION TO ITEM 8			
REV.-DATE	BY	APP.	REVISION	REV.-DATE	BY	APP.