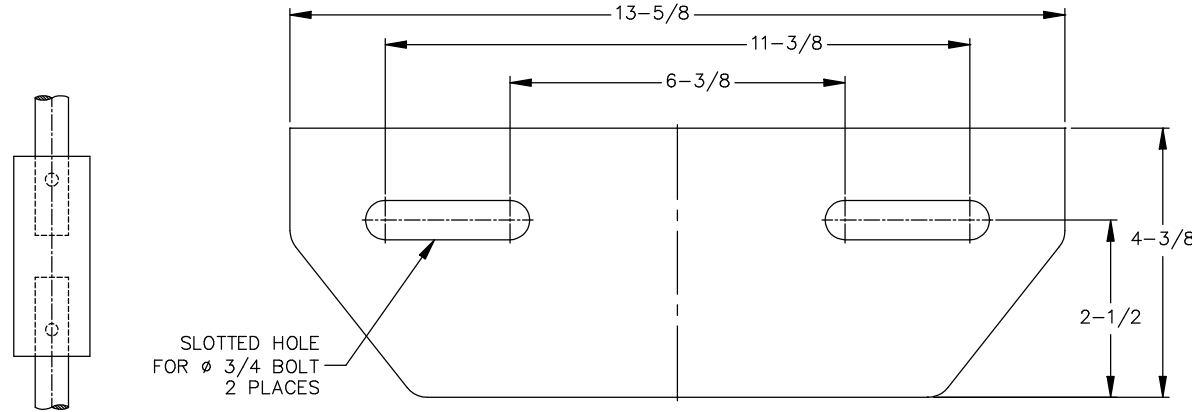


- NOTES:
1. ALL DIMENSIONS SHOWN IN INCHES.
  2. ALL ITEMS ARE SHIPPED LOOSE FROM VALVE ASSEMBLY.
  3. FIELD ASSEMBLY IS REQUIRED BY OTHERS.
  4. SLIDING ARM TO BE CUT AS REQUIRED FOR EXTENSION STEMS LOCATED 13" TO 20" FROM WALL IN FIELD BY CUSTOMER.
  5. MAX 10° SHAFT DEFLECTION.
  6. COUPLING FURNISHED FOR 20'-0" LENGTHS AND ABOVE.



COUPLING ARRANGEMENT

VIEW A-A

△				△			
△				△			
REV.-DATE	BY	APP.	REVISION	REV.-DATE	BY	APP.	REVISION