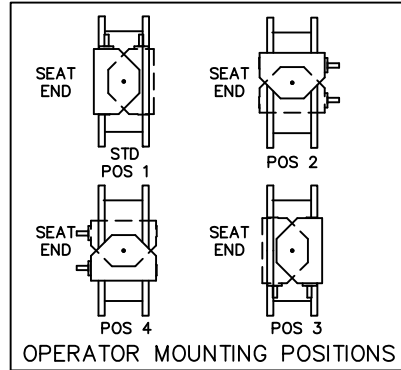
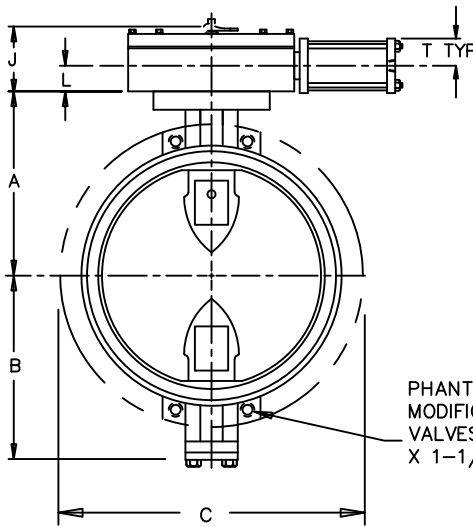


ACTUATOR POSITION 3



OPERATOR MOUNTING POSITIONS

- A. IGNORE SEAT SIDE DESIGNATION ON BFV SIZE 3" - 20"
- B.
- C. CHECK WITH FACTORY WHEN SELECTING ALTERNATE MIRROR ACTUATOR STYLES.



PHANTOM LINES SHOW TRUNNION MODIFICATIONS TO THE FOLLOWING SIZE VALVES: 20" TAP 1-1/8"-7 UNC-2B X 1-1/2" DEEP 4-PLACES EACH FACE.

| VALVE SIZE | DISC O. D. | MIN. MATING I. D. |
|------------|------------|-------------------|
| 3          | 3.087      | 2.41              |
| 4          | 4.072      | 3.44              |
| 6          | 6.068      | 5.38              |
| 8          | 8.076      | 7.53              |
| 10         | 10.096     | 9.62              |
| 12         | 12.106     | 11.64             |
| 14         | 13.337     | 12.86             |
| 16         | 15.334     | 14.79             |
| 18         | 17.368     | 16.75             |
| 20         | 19.385     | 18.71             |

NOTES:

1. ALL DIMENSIONS SHOWN IN INCHES.
2. "D" DIMENSION ±1/16" FOR 3" THRU 10" VALVES.  
"D" DIMENSION ±1/8" FOR 12" THRU 20" VALVES.
3. DIMENSION "C" ALLOWS CLEARANCE FOR 125 LB OR 150 LB A.S.A. BOLT LAYOUT.
4. VALVES MANUFACTURED & TESTED IN ACCORDANCE WITH AWWA SPECIFICATION C-504 LATEST REVISION, CLASS 150B.
5. RECOMMENDED FILTRATION FOR CYLINDER SUPPLY MEDIA  
 AIR \_\_\_\_\_ 50 MICRONS (DRY)  
 OIL \_\_\_\_\_ 150 MICRONS  
 WATER \_\_\_\_\_ 150 MICRONS

| VALVE SIZE | A      | B      | C      | D       |
|------------|--------|--------|--------|---------|
| 3          | 4-3/4  | 3-1/4  | 5-1/4  | 2-1/16  |
| 4          | 5-1/2  | 3-1/2  | 6-3/4  | 2-5/16  |
| 6          | 6-1/2  | 5-1/8  | 8-5/8  | 2-15/16 |
| 8          | 7-3/4  | 6-1/2  | 10-7/8 | 3-1/16  |
| 10         | 9      | 9-7/8  | 13-1/4 | 3-3/16  |
| 12         | 10-1/2 | 11-3/8 | 16     | 3-7/16  |
| 14         | 11-7/8 | 12-3/4 | 17-5/8 | 3-11/16 |
| 16         | 13-1/2 | 14-3/8 | 20-1/8 | 4-3/16  |
| 18         | 14-3/8 | 15-1/4 | 21-1/2 | 4-11/16 |
| 20         | 16     | 17     | 23-3/4 | 5-3/16  |

\* OPEN AND CLOSE PORTS ARE REVERSED FOR THESE SIZES.

| ACTUATOR SIZE | CYLINDER SIZE |        | J       | L      | M     | N      | P      | Q     | R        | S       | T      | U     | XX  |
|---------------|---------------|--------|---------|--------|-------|--------|--------|-------|----------|---------|--------|-------|-----|
|               | BORE          | STROKE |         |        |       |        |        |       |          |         |        |       |     |
| MDT-2S        | 2-1/2         | 4      | 4-11/16 | 2      | 2-1/8 | 2      | 4-1/2  | 4-1/4 | 13-1/16  | 5-7/16  | 2      | 1-3/4 | 3/8 |
| MDT-2S        | 4             | 4      | 4-11/16 | 2      | 2-1/8 | 2      | 4-1/2  | 4-1/4 | 14-1/8   | 5-11/16 | 2-5/8  | 2-3/8 | 1/2 |
| MDT-2S        | 5             | 4      | 4-11/16 | 2      | 2-1/8 | 2      | 4-1/2  | 4-1/4 | 14-1/2   | 5-11/16 | 3-7/16 | 2-7/8 | 1/2 |
| MDT-3S        | 5             | 5-5/8  | 5-5/8   | 2-7/16 | 3-1/4 | 3-5/32 | 5-5/8  | 5-3/8 | 17-15/16 | 7-13/16 | 3-7/16 | 2-7/8 | 1/2 |
| MDT-3S        | 8             | 5-5/8  | 5-5/8   | 2-7/16 | 3-1/4 | 3-5/32 | 5-5/8  | 5-3/8 | 19-7/8   | 8-1/4   | 4-5/8  | 4-3/8 | 3/4 |
| MDT-3S        | 10            | 5-5/8  | 5-5/8   | 2-7/16 | 3-1/4 | 3-5/32 | 5-5/8  | 5-3/8 | 21-3/4   | 8-3/4   | 5-5/8  | 5-3/8 | 3/4 |
| MDT-4S        | 5             | 8      | 6-3/8   | 2-7/8  | 3-3/8 | 4      | 7-5/16 | 6-3/4 | 21-1/4   | 8-3/4   | 3-7/16 | 2-7/8 | 1/2 |
| MDT-4S        | 8             | 8      | 6-3/8   | 2-7/8  | 3-3/8 | 4      | 7-5/16 | 6-3/4 | 23-3/8   | 9-3/16  | 4-5/8  | 4-3/8 | 3/4 |
| *MDT-4S       | 10            | 8      | 6-3/8   | 2-7/8  | 3-3/8 | 4      | 7-5/16 | 6-3/4 | 25-1/4   | 9-11/16 | 5-5/8  | 5-3/8 | 3/4 |
| *MDT-4S       | 12            | 8      | 6-3/8   | 2-7/8  | 3-3/8 | 4      | 7-5/16 | 6-3/4 | 27-3/8   | 10-3/4  | 6-3/8  | 6-3/8 | 1   |
| MDT-5         | 8             | 11     | 7-9/16  | 3-1/2  | 4-1/2 | 5-1/2  | 8-3/4  | 10    | 30-7/8   | 14-5/8  | 4-3/8  | 5-5/8 | 3/4 |
| MDT-5         | 10            | 11     | 7-9/16  | 3-1/2  | 4-1/2 | 5-1/2  | 8-3/4  | 10    | 32-3/4   | 15-5/8  | 5-3/8  | 5-5/8 | 3/4 |

|   |          |             |     |     |
|---|----------|-------------|-----|-----|
| 1   | 4/28/23  | UPDATED GA  | RTF | RF  |
| REV   | DATE     | DESCRIPTION | DWN | APP |
| <b>PRATT</b><br><small>a MUELLER brand</small>      |          |             |     |     |
| GENERAL ARRANGEMENT DRAWING                         |          |             |     |     |
| WAFER MKII BUTTERFLY VALVE<br>MDT CYLINDER ACTUATOR |          |             |     |     |
| SCALE NONE DATE 6/17/04                             |          |             |     |     |
| DRAWN BY BCZ CHECKED BY JR                          |          |             |     |     |
| APPROVED GA=BORDER                                  |          |             |     |     |
| DRWG. NO.   | GA-10779 | REV 1       | A/C |     |