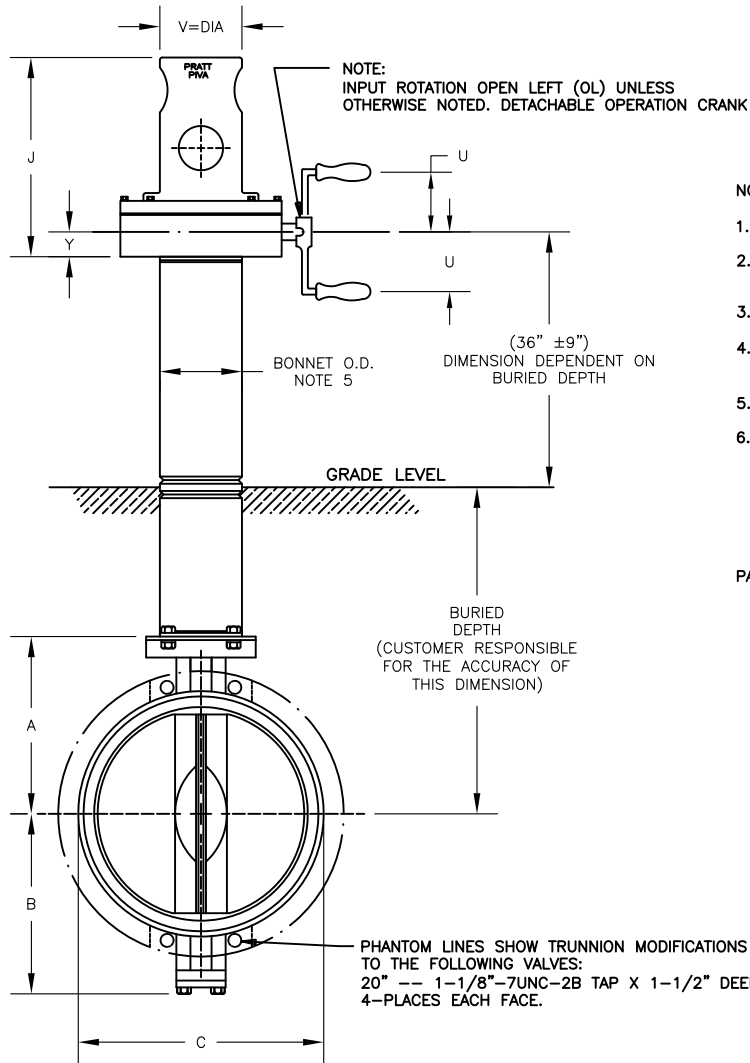
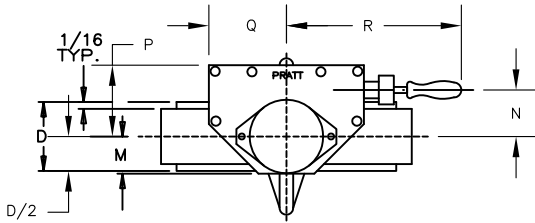


VALVE SIZE	A	B	C	(NOTE 1) D
20	16-1/2	17	23-3/4	5-3/16

ACTUATOR SIZE	J	M	N	P	Q	R	U	V	Y	NUMBER OF TURNS
MDT-4S	13-1/2	3-3/8	4	7-5/16	6-3/4	18-11/16	12-9/16	4-1/2	2-7/8	40



NOTES:

1. ALL DIMENSIONS SHOWN IN INCHES. "D" DIMENSION ±1/8
2. VALVES MANUFACTURED AND TESTED IN ACCORDANCE WITH AWWA SPECIFICATIONS C-504, CLASS 150B
3. ACTUATOR MOUNTED IN POSITION AS SHOWN.
4. VALVE ASSEMBLIES ARE UNDERWRITERS LABORATORIES (UL) LISTED AND FACTORY MUTUAL (FM) APPROVED FOR USE IN FIRE PROTECTION SYSTEMS.
5. OUTER TUBE O.D. IS 8-5/8"
6. THE FOLLOWING VALVE SIZES ARE FURNISHED WITH THE FOLLOWING ACTUATOR SIZES:

VALVE SIZE	ACTUATOR SIZE
20"	MDT-4S

PAINT: ALL PAINT ABOVE GRADE LEVEL - FIRE SAFETY RED
ALL PAINT BELOW GRADE LEVEL - AMERCOAT 370 OXIDE RED

REV	DATE	BY	DESCRIPTION	APP.
4	4/18/18	DCC	REVS. DIMS./NOTES/LOGO	RF
3	7/14/15	RCB	REMOVED 24" SIZE	PPS
2	7/25/11	JTC	UPDATED PAINT	RCB
1	8/27/04	BZ	REMOVED EXTRA SIZES	CEG

PRATT

PIVA BUTTERFLY VALVES
20" MKII WAFER ENDS
MDT ACTUATOR
DETACHABLE HANDCRANK

SCALE NONE DATE 8/27/04

DRAWN BY BZ CHECKED BY CEG

APPROVED GA=BORDER

DRWG. NO. GA-11246 REV 4 A/C