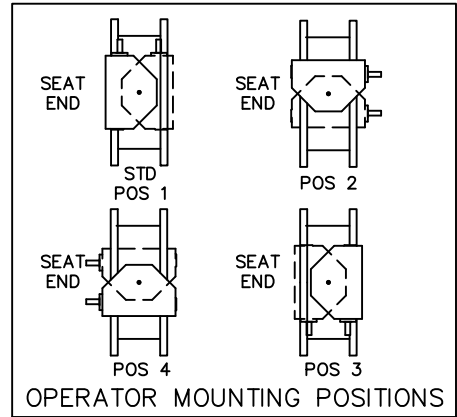
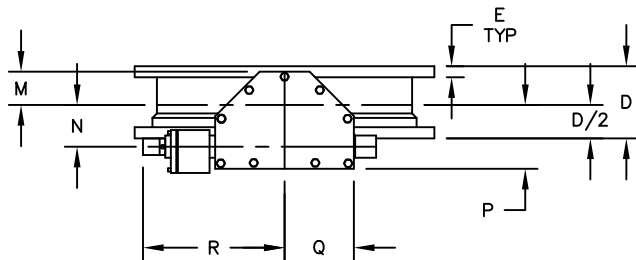


| ACTUATOR SIZE | J | L | M | N | P | Q | R | NUMBER OF TURNS |
|---------------|---------|---------|-------|--------|--------|----------|---------|-----------------|
| MDT-3S | 5-5/8 | 2-7/16 | 3-1/4 | 3-5/32 | 5-5/8 | 5-3/8 | 10-3/8 | 30 |
| MDT-4S | 6-3/8 | 2-27/32 | 3-3/8 | 4 | 7-5/16 | 6-3/4 | 11-5/16 | 40 |
| MDT-5 | 7-9/16 | 3-15/32 | 4-1/2 | 5-1/2 | 8-3/4 | 10 | 17 | 44 |
| MDT-5S | 8-5/16 | 3-15/16 | 5-1/2 | 7 | 10-1/2 | 15-15/16 | 19-7/8 | 136 |
| MDT-6S | 10-3/16 | 5-1/16 | 7 | 8-1/4 | 12-5/8 | 14-3/16 | 26-1/2 | 215 |

| VALVE SIZE | 150 PSI | | | | | | |
|------------|---------|----------|--------|----|--------|----------|--------|
| | A | B | C | D | E | F | G |
| 24 | 18-5/8 | 18-3/8 | 32 | 8 | 1-7/8 | 20-1-1/4 | 29-1/2 |
| 30 | 21-1/2 | 24-1/8 | 38-3/4 | 12 | 2-1/8 | 28-1-1/4 | 36 |
| 36 | 25-7/16 | 28-1/4 | 46 | 12 | 2-7/16 | 32-1-1/2 | 42-3/4 |
| 42 | 29-7/8 | 32-11/16 | 53 | 12 | 2-5/8 | 36-1-1/2 | 49-1/2 |
| 48 | 34-1/16 | 36-7/8 | 59-1/2 | 15 | 2-3/4 | 44-1-1/2 | 56 |
| 54 | 37-1/2 | 40-11/16 | 66-1/4 | 15 | 3 | 44-1-3/4 | 62-3/4 |
| 60 | 41-3/4 | 45-3/16 | 73 | 15 | 3-1/8 | 52-1-3/4 | 69-1/4 |
| 66 | 46-1/16 | 49-1/2 | 80 | 18 | 3-3/8 | 52-1-3/4 | 76 |
| 72 | 50 | 53-1/8 | 86-1/2 | 18 | 3-1/2 | 60-1-3/4 | 82-1/2 |

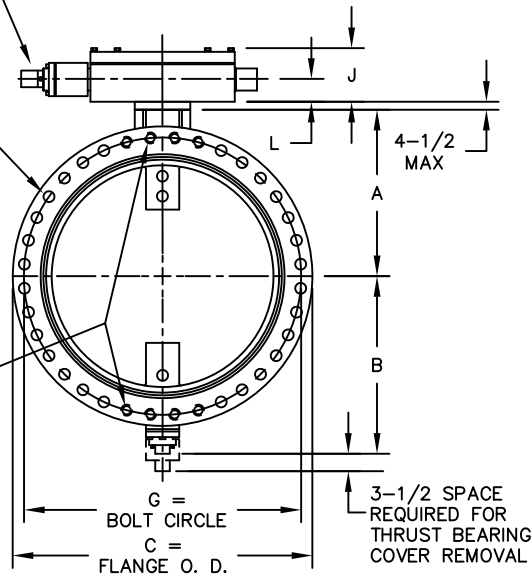


A. CHECK WITH FACTORY WHEN SELECTING ALTERNATE MIRROR ACTUATOR STYLES.

BURIED SERVICE NUT
ACTUATOR POSITION 1

F = NO. & SIZE OF BOLTS
125# STANDARD LAYOUT
STRADDLE CENTERLINE
INCLUDES TAPPED HOLES
EACH FLANGE

| TAPPED HOLES VALVE SIZE | UNC2B X E DEEP NO. TAPPED HOLES (EACH FLANGE) |
|-------------------------|---|
| 30"-72" | 4-TOP; 4-BOTTOM |
| 24" | 2-TOP; 2-BOTTOM |



| TOLERANCES | |
|-----------------------|-------------|
| FLANGE THICKNESS "E": | +1/4" -0 |
| LAYING LENGTH "D": | |
| 24" THRU 72" | +1/8" |
| BOLT CIRCLE "G": | +1/16" |
| FLANGE O.D."C": | |
| 24" THRU 48" | +3/16" |
| 54" THRU 72" | +1/4" |

NOTES:

- ALL DIMENSIONS SHOWN IN INCHES.
- "D" DIMENSION ±1/8".
- FOR BOLTS SMALLER THAN Ø1-3/4, BOLT HOLES WILL BE 1/8" LARGER THAN DIAMETER OF BOLT. FOR BOLTS Ø1-3/4 OR LARGER, BOLT HOLES WILL BE 1/4" LARGER THAN DIAMETER OF BOLT.
- DIMENSIONS AND DRILLING OF END FLANGES CONFORM TO THE AMERICAN CAST IRON FLANGE STANDARDS, CLASS 125 (B16.1).
- VALVES MANUFACTURED & TESTED IN ACCORDANCE WITH AWWA SPECIFICATION C-504 LATEST REVISION, CLASS 150B.
- RECOMMENDATION FOR MATING FLANGES: WHERE INSULATING BUSHINGS ARE USED, IT IS NECESSARY THAT BOLT HOLES BE DRILLED OVERSIZE BY AN AMOUNT EQUAL TO TWO TIMES THE INSULATING SLEEVE THICKNESS TO MAINTAIN THE SAME MINIMUM CLEARANCE FOR BOLTS.
- CAUTION: IT IS RECOMMENDED THAT VALVES BE INSTALLED INTO PIPING SYSTEM IN ACCORDANCE WITH AWWA M-11 TO PREVENT ANY UNDUE PIPING STRESS, DEFLECTION OR BENDING THAT MAY EFFECT THE PERFORMANCE OF THE VALVE.

| REV | DATE | DESCRIPTION | DWN | APP |
|-----|---------|---|-----|-----|
| 5 | 4/29/23 | ADDED POS CHART | RTF | RF |
| 4 | 4/28/11 | 28-1/4 WAS 28 | JLM | CEM |
| 3 | 2/3/11 | 2-7/16 WAS 2-3/8 ADDED TOLERANCE BLOCK | JLM | RCB |
| 2 | 3/11/10 | REMOVED 25 & 75 LB. | MZ | CEM |
| 1 | 9/7/05 | REMOVED POS IND ARROW | CEG | ES |



GENERAL ARRANGEMENT DRAWING
TRITON XR70 FLANGED
BUTTERFLY VALVE WITH
MDT BURIED SERVICE NUT

SCALE NONE DATE 12/7/04
DRAWN BY BZ CHECKED BY ES
APPROVED GA=BORDER
DRWG. NO. GA-11304 REV 5 A/C