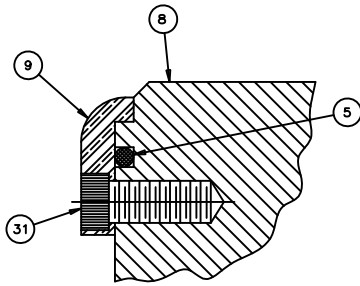
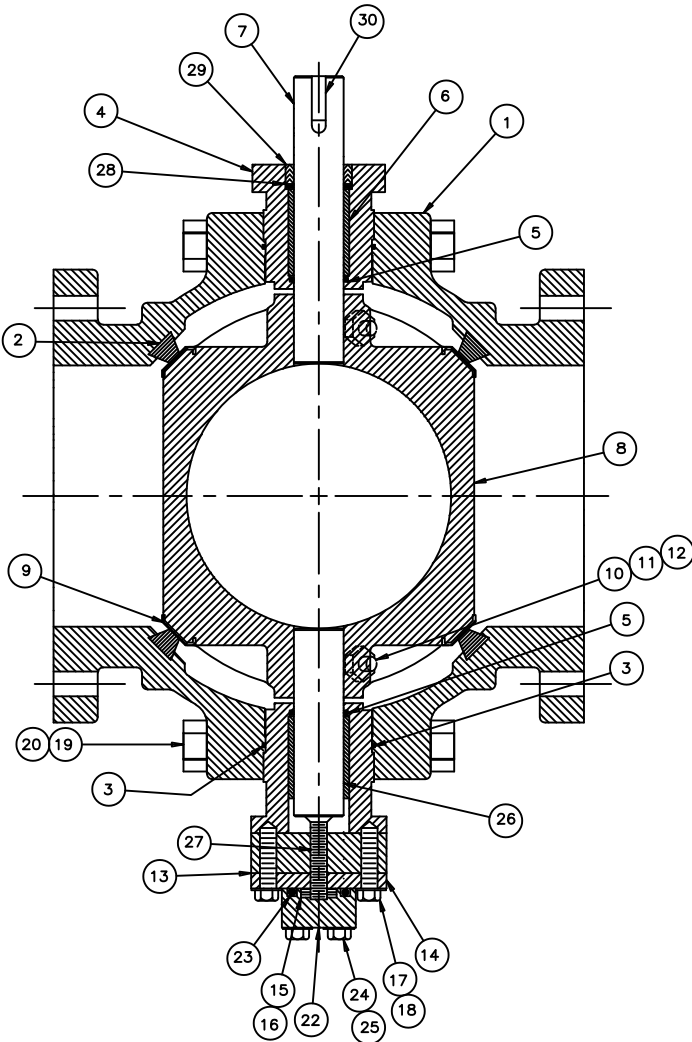


MATERIAL OPTIONS AS CHECKED

ITEM NO.	DESCRIPTION	MATERIALS	✓
1	END PIECE	DUCTILE IRON ASTM A-536 (65-45-12) CAST IRON ASTM A-126 CLASS B	
2	RUBBER SEAT	RUBBER BUNA-N RUBBER EPDM	
3	O-RING	RUBBER BUNA-N RUBBER EPDM	
4	CENTERPIECE	DUCTILE IRON ASTM A-536 (65-45-12) CAST IRON ASTM A-126 CLASS B	
5	O-RING	RUBBER BUNA-N RUBBER EPDM	
6	BEARINGS	DURALON	
7	TOP STUB SHAFT	STAINLESS STEEL ASTM A-276 TYPE 304 STAINLESS STEEL ASTM A-276 TYPE 316 STAINLESS STEEL ASTM A-564 TYPE 630 17-4 PH COND. H-1150	
8	ROTOR	CAST IRON ASTM A-48 CLASS 40 DUCTILE IRON ASTM A-536 (65-45-12)	
9	ROTOR EDGE	STAINLESS STEEL ASTM A-240 TYPE 316	
10	TAPER PINS	STAINLESS STEEL ASTM A-276 TYPE 304 STAINLESS STEEL ASTM A-276 TYPE 316 STAINLESS STEEL ASTM A-564 TYPE 630 17-4 PH COND. H-1150	
11	LOCKWASHERS	STAINLESS STEEL ASTM A-276 TYPE 304 STAINLESS STEEL ASTM A-276 TYPE 316	
12	HEX NUTS	STAINLESS STEEL ASTM A-276 TYPE 304 STAINLESS STEEL ASTM A-276 TYPE 316	
13	BOTTOM COVER GASKET	NON ASBESTOS MATERIAL ASTM F104	
14	BOTTOM COVER	CAST IRON ASTM A-126 CLASS B DUCTILE IRON ASTM A-536 (65-45-12)	
15	THRUST COLLAR	BRONZE BAR ASTM B-505 ALLOY C-93200	
16	GROOVE PIN	ALLOY STEEL	
17	CAP SCREW	CARBON STEEL SAE GRADE 2 (ZINC PLATED) STAINLESS STEEL TYPE 304 STAINLESS STEEL TYPE 316	
18	LOCTITE	GRADE CV	
19	STUD	CARBON STEEL AISI B12L14	
20	HEX NUT	CARBON STEEL SAE GRADE 2 (ZINC PLATED)	
21	LOCTITE	GRADE CV	
22	BOTTOM COVER CAP	CAST IRON ASTM A-126 CLASS B DUCTILE IRON ASTM A-536 (65-45-12)	
23	O-RING	RUBBER BUNA-N RUBBER EPDM	
24	CAP SCREW	CARBON STEEL SAE GRADE 2 (ZINC PLATED) STAINLESS STEEL TYPE 304 STAINLESS STEEL TYPE 316	
25	LOCTITE	GRADE CV	
26	BOTTOM STUB SHAFT	STAINLESS STEEL ASTM A-276 TYPE 304 STAINLESS STEEL ASTM A-276 TYPE 316 STAINLESS STEEL ASTM A-564 TYPE 630 17-4 PH COND. H-1150	
27	THRUST BEARING STUD	STAINLESS STEEL TYPE 304	
28	BOTTOM PKG RTNR	NYLON 101	
29	PACKING	RUBBER BUNA-N RUBBER EPDM	
30	KEY	AISI C1045 COLD DRAWN STEEL	
31	CAP SCREW	STAINLESS STEEL TYPE 304	



SEAT DETAIL
6", 8", AND 10"
BALL VALVES ONLY



6	5/5/23	UPDATED TITLE BLOCK	RTF	RF
5	1/20/14	ADDED SS OPTIONS TO LW & NUT	AMJ	SS
4	7/20/12	ADDED EPDM OPTION	MLB	CEM
REV	DATE	DESCRIPTION	DWN	APP

PRATT
a MUELLER brand

CROSS SECTION
PARTS & MATERIALS LIST
DOUBLE RUBBER SEATED E-LOK
BALL VALVE

SCALE NONE DATE 2/4/05
DRAWN BY AAT CHECKED BY ES
APPROVED GA=BORDER
DRWG. NO. GA-11336 REV 6 A/C