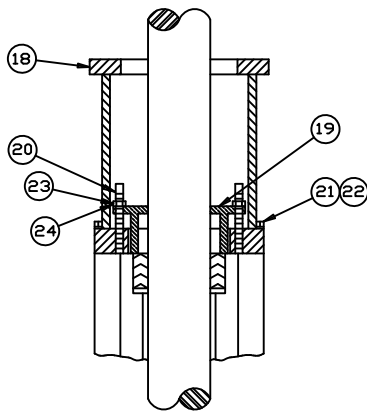
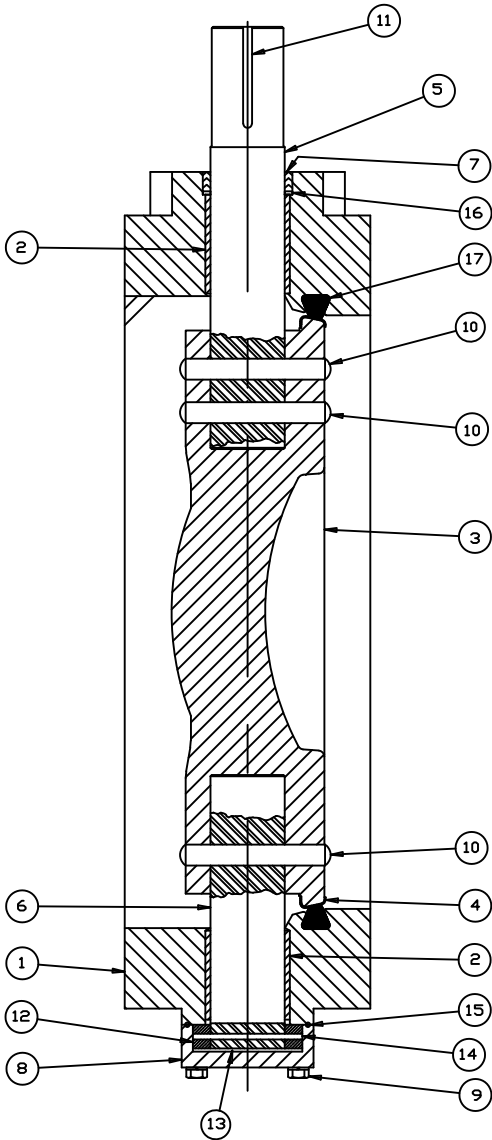


MATERIAL OPTIONS AS CHECKED



OPTIONAL  
REPLACEABLE PACKING BONNET  
ASSEMBLY



| ITEM NO. | DESCRIPTION         | MATERIALS                             | ✓ |
|----------|---------------------|---------------------------------------|---|
| 1        | BODY                | CAST IRON ASTM A-126 CLASS B          |   |
|          |                     | DUCTILE IRON ASTM A-536 (65-45-12)    |   |
| 2        | BEARINGS            | TEFLON LINED, FIBERGLASS BACKED       |   |
| 3        | DISC                | DUCTILE IRON ASTM A-536 (65-45-12)    |   |
| 4        | DISC EDGE           | STAINLESS STEEL TYPE 316              |   |
| 5        | TOP STUB SHAFT      | STAINLESS STEEL ASTM A-276 TYPE 304   |   |
|          |                     | STAINLESS STEEL ASTM A-276 TYPE 316   |   |
|          |                     | STN. STL. A-564 TYPE 630 COND. H-1150 |   |
|          |                     | MONEL ASTM B-164 ALLOY 400            |   |
| 6        | BOTTOM STUB SHAFT   | STAINLESS STEEL ASTM A-276 TYPE 304   |   |
|          |                     | STAINLESS STEEL ASTM A-276 TYPE 316   |   |
|          |                     | STN. STL. A-564 TYPE 630 COND. H-1150 |   |
|          |                     | MONEL ASTM B-164 ALLOY 400            |   |
| 7        | PACKING             | RUBBER (BUNA-N)                       |   |
|          |                     | RESILOSEAL W (EPDM)                   |   |
| 8        | BOTTOM COVER        | DUCTILE IRON ASTM A-536 (65-45-12)    |   |
|          |                     | CAST IRON ASTM A-126 CLASS B          |   |
| 9        | CAP SCREWS          | CARBON STEEL                          |   |
|          |                     | STAINLESS STEEL TYPE 304              |   |
|          |                     | STAINLESS STEEL TYPE 316              |   |
| 10       | SQUEEZE PINS        | STAINLESS STEEL ASTM A-276 TYPE 304   |   |
|          |                     | STAINLESS STEEL ASTM A-276 TYPE 316   |   |
|          |                     | STN. STL. A-564 TYPE 630 COND. H-1150 |   |
|          |                     | MONEL ASTM B-164 ALLOY 400            |   |
| 11       | KEY                 | CARBON STEEL AISI 1045                |   |
| 12       | THRUST COLLAR       | BRONZE ASTM B-505 ALLOY C93200        |   |
| 13       | THRUST COLLAR SHIMS | BRASS ALLOY C26000 HALF HARD (H02)    |   |
| 14       | SPRING PIN          | STAINLESS STEEL TYPE 420              |   |
| 15       | O-RING              | RUBBER (BUNA N)                       |   |
|          |                     | RUBBER (EPDM)                         |   |
| 16       | PACKING RETAINER    | NYLON                                 |   |
| 17       | SEAT                | RESILOSEAL R (BUNA-N)                 |   |
|          |                     | RESILOSEAL W (EPDM)                   |   |
| 18       | BONNET              | CAST IRON ASTM A-48 CLASS 40          |   |
| 19       | PACKING GLAND       | BRONZE ASTM B-584 ALLOY C86400        |   |
| 20       | PACKING GLAND STUD  | STAINLESS STEEL TYPE 304              |   |
| 21       | CAP SCREWS          | CARBON STEEL                          |   |
| 22       | LOCKWASHERS         | CARBON STEEL                          |   |
| 23       | PACKING GLAND NUT   | STAINLESS STEEL TYPE 304              |   |
| 24       | LOCTITE             | GRADE CV                              |   |

|          |      |                      |             |
|----------|------|----------------------|-------------|
| 10/19/17 | JUR  | UPDATED TITLE BLOCK  | RF          |
| 4/22/16  | DSL  | UPDATED ORING MATL   | RF          |
| 7-15-11  | JTC  | UPDATED MATERIAL     | RCB         |
| 1-5-11   | CEM  | ADD MATERIAL OPTION  | RCB         |
| 7-19-06  | RCB  | DELETED C.I. OPTION  | PPS         |
| 4-6-06   | CEG  | ADDED DUCTILE OPTION | JR          |
| REV      | DATE | BY                   | DESCRIPTION |
|          |      |                      | APP.        |

**PRATT**  
Pneumatic

CROSS SECTION  
PARTS AND MATERIAL LIST  
24" TRITON-XR  
BUTTERFLY VALVE

SCALE NONE DATE 2-04-05

DRAWN BY AAT CHECKED BY ES

APPROVED GA-BORDER

DRWG. NO. GA-11337 REV 6 AC