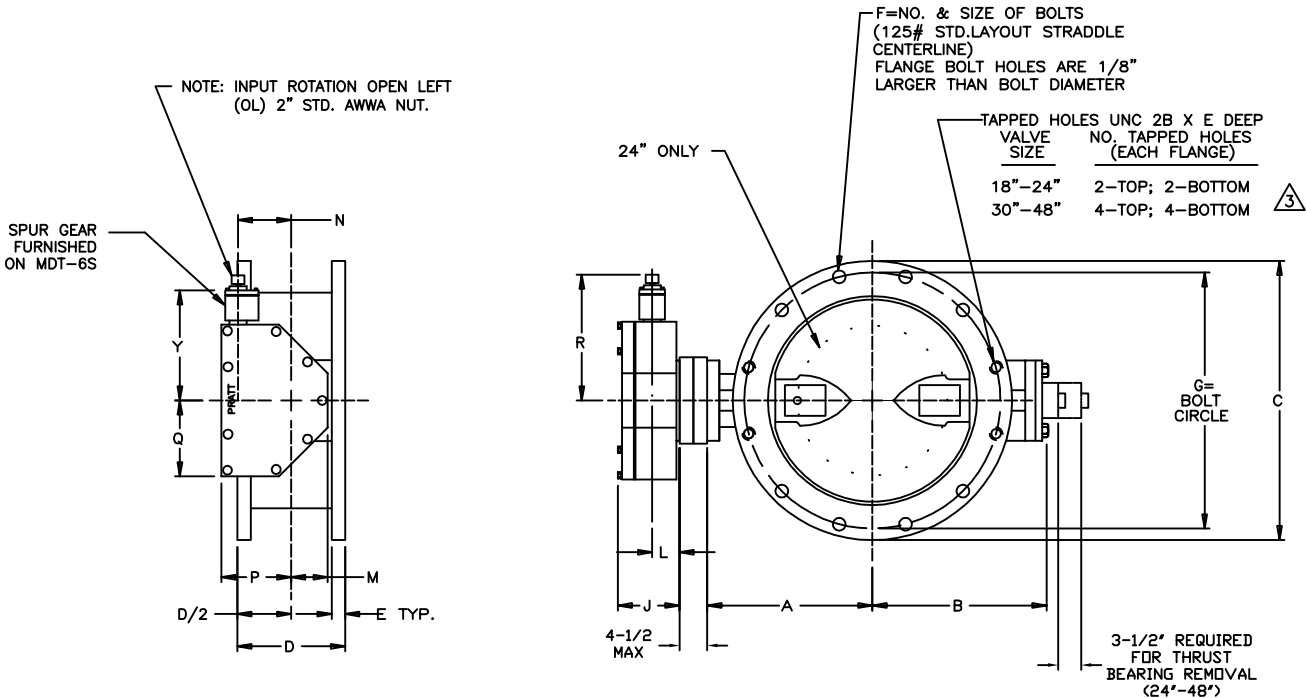


VALVE SIZE	A	B	C	D*	E	F	G	ACT. SIZE
4	5-1/2	3-1/2	9	5	3/4	8--5/8	7-1/2	2S
6	6-1/2	5-1/4	11	5	1	8--3/4	9-1/2	2S
8	7-3/4	6-1/2	13-1/2	6	1-1/8	8--3/4	11-3/4	2S
10	9	10	16	8	1-3/16	12--7/8	14-1/4	2S
12	10-1/2	11-1/2	19	8	1-1/2	12--7/8	17	2S
14	11-7/8	13	21	8	1-3/8	12--1	18-3/4	3S
16	13-1/2	14-1/2	23-1/2	8	1-7/16	16--1	21-1/4	3S
18	14-3/8	15-3/8	25	8	1-9/16	16--1-1/8	22-3/4	4S
20	16	17-1/2	27-1/2	8	1-11/16	20--1-1/8	25	5
24	18-5/8	18-5/8	32	8	1-7/8	20--1-1/4	29-1/2	5
30	21-1/2	24-3/4	38-3/4	12	2-1/8	28--1-1/4	36	5
36	25-7/16	28-1/4	46	12	2-7/16	32--1-1/2	42-3/4	5S
42	29-7/8	32-7/8	53	12	2-5/8	36--1-1/2	49-1/2	6S
48	34-1/16	36-7/8	59-1/2	15	2-3/4	44--1-1/2	56	6S

ACTUATOR SIZE	J	L	M	N	P	Q	R	Y	NUMBER OF TURNS
MDT-2S	4-3/8	2	2-1/8	2	4-1/2	4-1/4	7-5/8	4-1/2	32
MDT-3S	5-1/8	2-7/16	3-1/4	3-5/32	5-5/8	5-7/16	9-3/8	6-5/8	30
MDT-4S	5-7/8	2-27/32	3-3/8	4	7-5/16	6-3/4	10-5/8	7-5/8	40
MDT-5	7-1/2	3-15/32	4-1/2	5-1/2	8-3/4	10-1/8	17	13-1/2	44
MDT-5S	8-1/2	3-15/16	5-1/2	7	10-1/2	15-15/16	19-7/8	15-11/16	136
MDT-6S	11	5-1/16	7	8-1/4	12-5/8	19	26-1/2	22-1/4	215



- NOTES:
- \*ALL DIMENSIONS SHOWN IN INCHES. "D" DIMENSION ±1/16" FOR 4" THRU 10" VALVES. "D" DIMENSION ±1/8" FOR 12" THRU 48" VALVES.
  - DIMENSIONS AND DRILLING OF END FLANGES CONFORM TO THE AMERICAN CAST IRON FLANGE STANDARDS, CLASS 125 (B16.1).
  - (RECOMMENDATIONS FOR MATING FLANGES) WHERE INSULATING BUSHINGS ARE USED, IT IS NECESSARY THAT BOLT HOLES BE DRILLED OVERSIZE BY AN AMOUNT EQUAL TO TWO TIMES THE INSULATING SLEEVE THICKNESS TO MAINTAIN THE SAME MINIMUM CLEARANCE FOR BOLTS.
  - ACTUATOR MOUNTED IN POSITION AS SHOWN.
  - FOR USE WITH BUTTERFLY VALVE INDICATOR POST-STYLE G.
  - VALVES MANUFACTURED IN ACCORDANCE WITH UNDERWRITERS LABORATORIES STANDARD UL-1091. LATEST EDITION.
  - CAUTION: IT IS RECOMMENDED THAT VALVES BE INSTALLED INTO PIPING SYSTEM IN ACCORDANCE WITH AWWA M-11 TO PREVENT ANY UNDUE PIPING STRESS, DEFLECTION, OR BENDING THAT MAY EFFECT THE PERFORMACE OF THE VALVE.
  - VALVES MANUFACTURED AND TESTED IN ACCORDANCE WITH AWWA SPECIFICATION C-504 LATEST REVISION, CLASS 150B.

EXTERNAL DISTRIBUTION			
UL			

4	6/5/12	JTC	ADDED 30"-48" & 5S-6S	
3	11/3/09	DSL	CORRECTED NOTES	JR
2	1/22/09	CEM	CORRECTED MDT SIZE WAS 1SM	JR
1	10/29/06	SR	REMOVED MAT'L AND PAINT INFO	CEG
REV.	DATE	BY	DESCRIPTION	APP.

**PRATT** HENRY PRATT COMPANY  
AURORA, ILL.

GENERAL ARRANGEMENT DRAWING  
GROUNDHOG VALVE FLANGED ENDS  
MDT ACTUATOR  
UL LISTED

SCALE	NONE	DATE	6/12/06
DRAWN BY	SR	CHECKED BY	JR
APPROVED	GA=BORDER		
DRWG. NO.	GA-11602	REV	4