

3-1/2 SPACE REQUIRED FOR THRUST BEARING COVER REMOVAL (6"-48" ONLY)

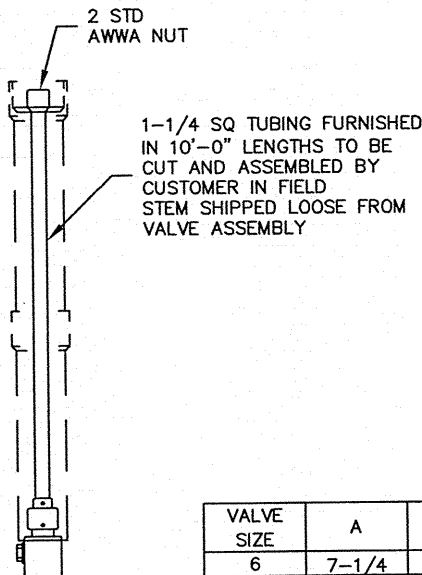
F= NO. & SIZE OF BOLTS ASME B16.1, 250# STANDARD LAYOUT STRADDLE CENTERLINE INCLUDES TAPPED HOLES EACH FLANGE

TAPPED HOLES:
 "F" SIZE UNC-2B X "E" DEEP
 6" THRU 30" VALVES 4 HOLES
 2 TOP & 2 BOTTOM
 36" THRU 48" VALVES 8 HOLES
 4 TOP & 4 BOTTOM
 EACH FLANGE

ACTUATOR POSITION 1

NOTES:

1. ALL DIMENSIONS SHOWN IN INCHES.
2. "D" DIMENSION $\pm 1/8"$.
3. FOR BOLTS SMALLER THAN $\phi 1-3/4$, BOLT HOLES WILL BE $1/8"$ LARGER THAN DIAMETER OF BOLT. FOR BOLTS $\phi 1-3/4$ OR LARGER, BOLT HOLES WILL BE $1/4"$ LARGER THAN DIAMETER OF BOLT.
4. RECOMMENDATION FOR MATING FLANGES: WHERE INSULATING BUSHINGS ARE USED, IT IS NECESSARY THAT BOLT HOLES BE DRILLED OVERSIZE BY AN AMOUNT EQUAL TO TWO TIMES THE INSULATING SLEEVE THICKNESS TO MAINTAIN THE SAME MINIMUM CLEARANCE FOR BOLTS.
5. CAUTION: IT IS RECOMMENDED THAT VALVES BE INSTALLED INTO THE PIPING SYSTEM IN ACCORDANCE WITH AWWA M-11 IN ORDER TO PREVENT ANY UNDUE PIPING STRESS, DEFLECTION OR BENDING THAT MAY EFFECT THE PERFORMANCE OF THE VALVE.
6. EXTENSION STEM CAN BE USED WITH STANDARD VALVE BOXES OR 5" SOIL PIPE.



OPTIONAL EXTENSION STEM ARRANGEMENT

FLANGE THICKNESS "E" TOLERANCES	
3" THRU 12"	+1/8" - 0"
14" THRU 24"	+3/16" - 0"
30" THRU 48"	+1/4" - 0"

VALVE SIZE	A	B	C	D	E	F	G
6	7-1/4	8-3/8	12-1/2	6	Δ1-1/2	12--3/4	10-5/8
8	8-1/2	9-5/8	15	8	1-5/8	12--7/8	13
10	9-3/4	11	17-1/2	8	1-7/8	16--1	15-1/4
12	11-1/2	12-5/8	20-1/2	8	2	16--1-1/8	17-3/4
14	12-3/4	13-7/8	23	12	2-1/8	20--1-1/8	20-1/4
16	14	15-1/8	25-1/2	12	2-1/4	20--1-1/4	22-1/2
18	15-1/4	16-3/8	28	12	2-3/8	24--1-1/4	24-3/4
20	17	17-5/8	30-1/2	12	2-1/2	24--1-1/4	27
24	19-3/4	20-1/4	36	12	2-3/4	24--1-1/2	32
30	25-5/8	26	43	12	3	28--1-3/4	39-1/4
36	28-1/8	31-1/8	50	15	3-3/8	32--2	46
42	32-1/8	35-1/8	57	15	3-11/16	36--2	52-3/4
48	36-1/4	39-5/8	65	15	4	40--2	60-3/4

ACTUATOR SIZE	J	L	M	N	P	Q	R	NUMBER OF TURNS
MDT-2S	4-11/16	2	2-1/8	2	4-1/2	Δ4-1/4	8-1/4	32
MDT-3S	5-5/8	2-7/16	3-1/4	3-5/32	5-5/8	5-3/8	10-3/8	30
MDT-4S	6-3/8	2-27/32	3-3/8	4	7-5/16	6-3/4	11-5/16	40
MDT-5	7-9/16	3-15/32	4-1/2	5-1/2	8-3/4	Δ10-7/16	17	44
MDT-5S	8-5/16	3-15/16	5-1/2	7	10-1/2	15-15/16	19-7/8	136
MDT-6S	11 1/8	5-1/16	7	8-1/4	12-5/8	14-3/16	26-1/2	215

REV	DATE	DESCRIPTION	DVN	APP
5	9-12-16	REVISED FLOW DIRECTION NOTE	SAD	SS
4	8-28-14	REVISED DIM / ADDED TOL. BLOCK	JUR	RCB
3	1-18-10	4-1/4 WAS 4-1/2; 10-7/16 WAS 10	MZ	CEM
2	11-17-09	CORRECTED FLOW ARROW	CEM	JR
1	1-18-09	ADDED ARROWS	AA	JHW

PRATT

GENERAL ARRANGEMENT DRAWING
 6"-48" HP-350 VALVE FLANGED ENDS
 MDT BURIED SERVICE ACTUATOR

SCALE NONE DATE 1-05-08
 DRAWN BY AA CHECKED BY PPS
 APPROVED GA=BORDER
 DRWG. NO. GA-11861 REV 5 1/2