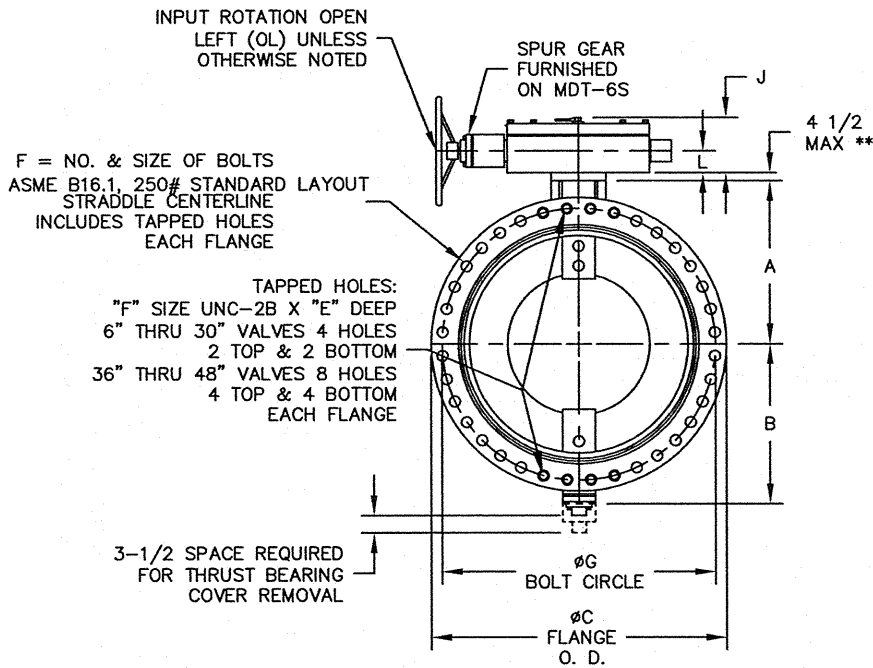


↓ RECOMMENDED
FLOW DIRECTION
FOR HP350



NOTES:

1. ALL DIMENSIONS SHOWN IN INCHES.
2. "D" DIMENSION ±1/8".
3. FOR BOLTS SMALLER THAN $\phi 1-3/4$, BOLT HOLES WILL BE 1/8" LARGER THAN DIAMETER OF BOLT. FOR BOLTS $\phi 1-3/4$ OR LARGER, BOLT HOLES WILL BE 1/4" LARGER THAN DIAMETER OF BOLT.
4. RECOMMENDATION FOR MATING FLANGES: WHERE INSULATING BUSHINGS ARE USED, IT IS NECESSARY THAT BOLT HOLES BE DRILLED OVERSIZE BY AN AMOUNT EQUAL TO TWO TIMES THE INSULATING SLEEVE THICKNESS TO MAINTAIN THE SAME MINIMUM CLEARANCE FOR BOLTS.
5. CAUTION: IT IS RECOMMENDED THAT VALVES BE INSTALLED INTO THE PIPING SYSTEM IN ACCORDANCE WITH AWWA M-11 IN ORDER TO PREVENT ANY UNDUE PIPING STRESS, DEFLECTION OR BENDING THAT MAY AFFECT THE PERFORMANCE OF THE VALVE.

ACTUATOR SIZE	J	L	M	N	P	Q	R	S	T	V	W	NUMBER OF TURNS
MDT-2S	4-11/16	2	2-1/8	2	4-1/2	Δ4-1/4	8-1/4	7-7/8	7-7/8	8	9-1/8	32
MDT-3S	5-5/8	2-7/16	3-1/4	3-5/32	5-5/8	5-3/8	10-3/8	10-1/2	10-1/8	12	9-1/8	30
MDT-4S	6-3/8	2-27/32	3-3/8	4	7-5/16	6-3/4	11-5/16	11-1/2	11	18	9-1/8	40
MDT-5	7-9/16	3-15/32	4-1/2	5-1/2	8-3/4	Δ10-7/16	17	17 3/16	17-3/16	24	16-7/16	44
MDT-5S	8-5/16	3-15/16	5-1/2	7	10-1/2	15-15/16	19-7/8	20	19-13/16	24	22-1/4	136
MDT-6S	10-3/16	5-1/16	7	8-1/4	12-5/8	14-3/16	26-1/2	27-3/4	27-1/2	24	22-1/4	215

VALVE SIZE	A	B	C	D	E	F	G
6	7-1/4	8-3/8	12-1/2	6	Δ1-1/2	12--3/4	10-5/8
8	8-1/2	9-5/8	15	8	1-5/8	12--7/8	13
10	9-3/4	11	17-1/2	8	1-7/8	16--1	15-1/4
12	11-1/2	12-5/8	20-1/2	8	2	16--1-1/8	17-3/4
14	12-3/4	13-7/8	23	12	2-1/8	20--1-1/8	20-1/4
16	14	15-1/8	25-1/2	12	2-1/4	20--1-1/4	22-1/2
18	15-1/4	16-3/8	28	12	2-3/8	24--1-1/4	24-3/4
20	17	17-5/8	30-1/2	12	2-1/2	24--1-1/4	27
24	19-3/4	20-1/4	36	12	2-3/4	24--1-1/2	32
30	25-5/8	26	43	12	3	28--1-3/4	39-1/4
36	28-1/8	31-1/8	50	15	3-3/8	32--2	46
42	32-1/8	35-1/8	57	15	3-11/16	36--2	52-3/4
48	36-1/4	39-5/8	65	15	4	40--2	60-3/4

FLANGE THICKNESS "E" TOLERANCES	
3" THRU 12"	+1/8" - 0"
14" THRU 24"	+3/16" - 0"
30" THRU 48"	+1/4" - 0"

6	9/12/16	REVISED FLOW DIRECTION NOTE AND HW SIZES FOR MDTAS/5	SAD	5
5	8/28/14	REV. DIM/ADDED TOL. BLOCK	JUR	RCB
4	01/28/10	4-1/4 WAS 4-1/2; 10-7/16 WAS 10	MZ	CEM
3	11/17/09	CORRECT FLOW	CEM	JR
2	11/13/09	REMOVED NOTE	DSL	CEM
1	1/19/09	ADDED DIMENSION	AA	JW
REV	DATE	DESCRIPTION	DWN	APP

PRATT

GENERAL ARRANGEMENT DRAWING
6"-48" HP-350 VALVE FLANGED ENDS
MDT MANUAL ACTUATOR

SCALE	NONE	DATE	1-05-08
DRAWN BY	AA	CHECKED BY	PBS
APPROVED		GA=BORDER	
DRWG. NO.	GA-11862	REV	6
			YC