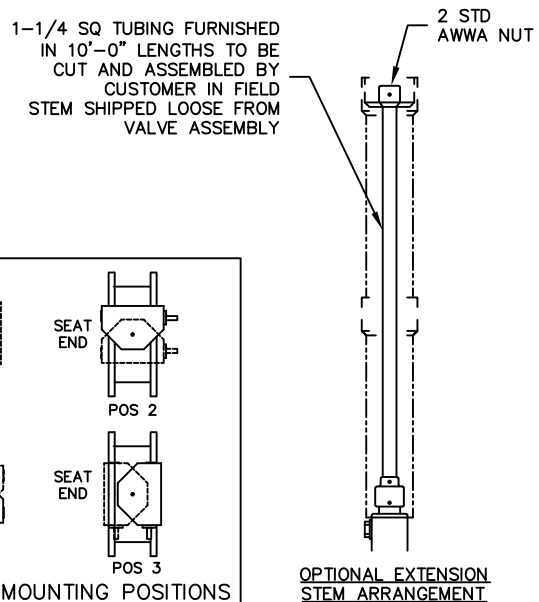
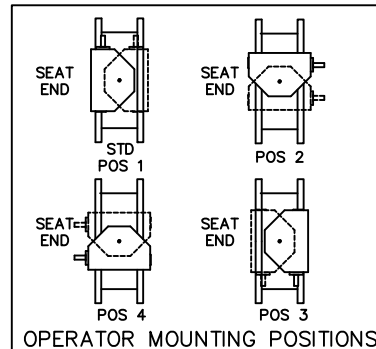


ACTUATOR SIZE	J	L	M	N	P	Q	R	NUMBER OF TURNS
MDT-2S	4-11/16	2	2-1/8	2	4-1/2	4-1/2	8-1/4	32
MDT-3S	5-5/8	2-7/16	3-1/4	3-5/32	5-5/8	5-3/8	10-3/8	30
MDT-4S	6-3/8	2-27/32	3-3/8	4	7-5/16	6-3/4	11-5/16	40
MDT-5	7-9/16	3-15/32	4-1/2	5-1/2	8-3/4	10	17	44
MDT-5S	8-5/16	3-15/16	5-1/2	3-5/8	10-1/2	15-15/16	19-7/8	136
MDT-6S	10-3/16	5-1/16	7	8-1/4	12-5/8	14-3/16	26-1/2	215

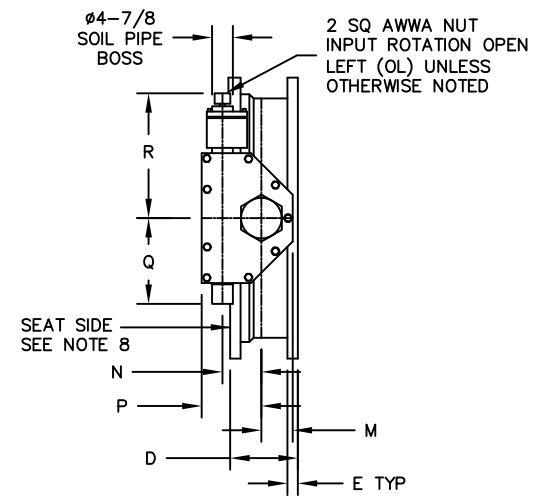
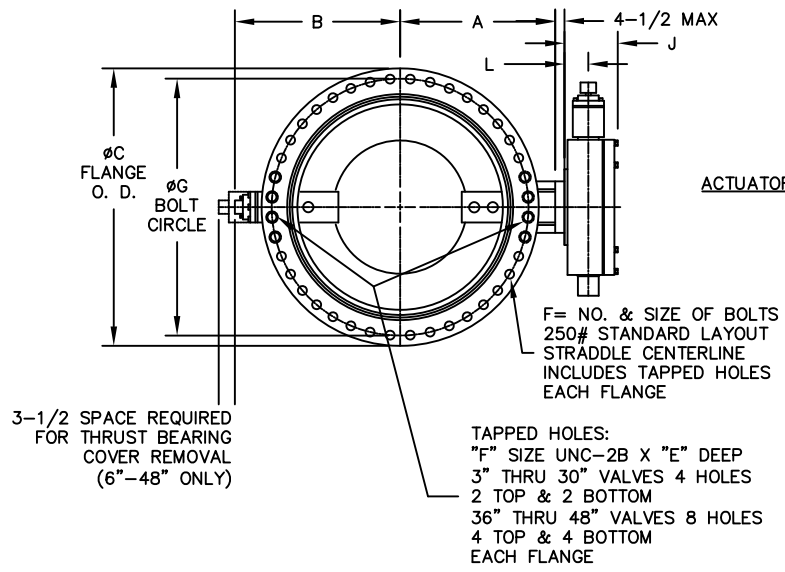
VALVE SIZE	A	B	C	D	E	F	G
3	4-3/4	3-1/4	8-1/4	5	1-1/8	8--3/4	6-5/8
4	5-1/2	3-1/2	10	5	1-1/4	8--3/4	7-7/8
6	7-1/4	8-3/8	12-1/2	6	1-1/2	12--3/4	10-5/8
8	8-1/2	9-5/8	15	8	1-5/8	12--7/8	13
10	9-3/4	11	17-1/2	8	1-7/8	16--1	15-1/4
12	11-1/2	12-5/8	20-1/2	8	2	16--1-1/8	17-3/4
14	12-3/4	13-7/8	23	12	2-1/8	20--1-1/8	20-1/4
16	14	15-1/8	25-1/2	12	2-1/4	20--1-1/4	22-1/2
18	15-1/4	16-3/8	28	12	2-3/8	24--1-1/4	24-3/4
20	17	17-5/8	30-1/2	12	2-1/2	24--1-1/4	27
24	19-3/4	20-1/4	36	12	2-3/4	24--1-1/2	32
30	25-5/8	26	43	12	3	28--1-3/4	39-1/4
36	28-1/8	31-1/8	50	15	3-3/8	32--2	46
42	32-1/8	35-1/8	57	15	3-11/16	36--2	52-3/4
48	36-1/4	39-5/8	65	15	4	40--2	60-3/4



A. CHECK WITH FACTORY WHEN SELECTING ALTERNATE MIRROR ACTUATOR STYLES.

FOR BI-DIRECTIONAL SERVICE ACTUATOR IS SUITABLE FOR FLOW IN EITHER DIRECTION SEE NOTE 8

FOR UNI-DIRECTIONAL SERVICE ACTUATOR IS SIZED FOR FLOW IN THIS DIRECTION ONLY SEE NOTE 8



NOTES:

- ALL DIMENSIONS SHOWN IN INCHES.
- "D" DIMENSION $\pm 1/8$ ".
- FOR BOLTS SMALLER THAN $\phi 1-3/4$, BOLT HOLES WILL BE $1/8$ " LARGER THAN DIAMETER OF BOLT. FOR BOLTS $\phi 1-3/4$ OR LARGER, BOLT HOLES WILL BE $1/4$ " LARGER THAN DIAMETER OF BOLT.
- DIMENSIONS AND DRILLING OF END FLANGES CONFORM TO THE AMERICAN CAST IRON FLANGE STANDARDS, CLASS 250 (B16.1).
- RECOMMENDATION FOR MATING FLANGES: WHERE INSULATING BUSHINGS ARE USED, IT IS NECESSARY THAT BOLT HOLES BE DRILLED OVERSIZE BY AN AMOUNT EQUAL TO TWO TIMES THE INSULATING SLEEVE THICKNESS TO MAINTAIN THE SAME MINIMUM CLEARANCE FOR BOLTS.
- CAUTION: IT IS RECOMMENDED THAT VALVES BE INSTALLED INTO THE PIPING SYSTEM IN ACCORDANCE WITH AWWA M-11 IN ORDER TO PREVENT ANY UNDUE PIPING STRESS, DEFLECTION OR BENDING THAT MAY EFFECT THE PERFORMANCE OF THE VALVE.
- EXTENSION STEM CAN BE USED WITH STANDARD VALVE BOXES OR 5" SOIL PIPE.
- SEAT SIDE AND FLOW DIRECTION APPLIES TO 6" AND LARGER E-LOK SEAT VALVE ONLY. 3 AND 4" VALVES ARE BONDED SEAT VALVES.

REV	DATE	DESCRIPTION	DWN	APP
5	5/1/23	ADDED POSITION CHART	RTF	RF
4	10/2/17	ADDED NOTE 8	SAD	SD
3	12/27/16	REVISED MDT-6S "J" REVISED MDT-5S "N"	JWD	RF
2	4/14/11	REVISED "E" COLUMN	JLM	RCB
1	10/6/09	4BE WAS 4	SK	RCB

PRATT
a MUELLER brand

**3"-48" HP250 VALVE
ANSI 250# FLG
MDT BURIED SERVICE ACTUATOR**

SCALE NONE DATE 1/30/05

DRAWN BY CEM CHECKED BY JR

APPROVED GA=BORDER

DRWG. NO. GA-11870 REV 5 A/C