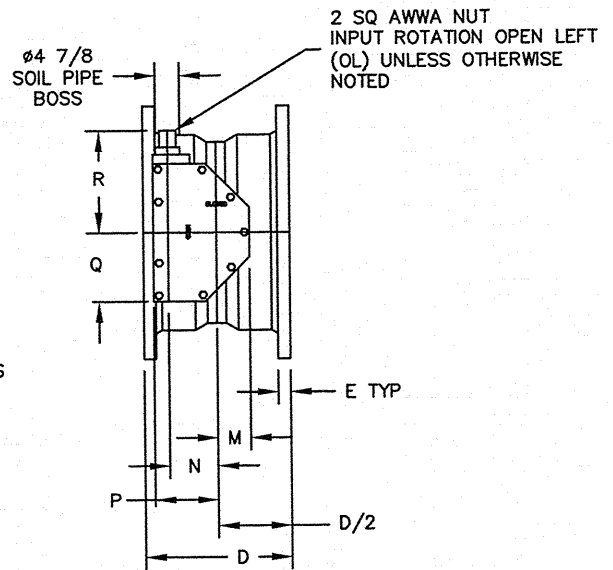
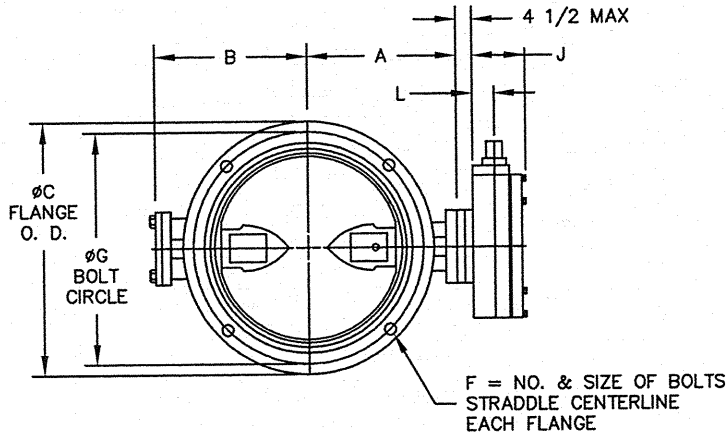


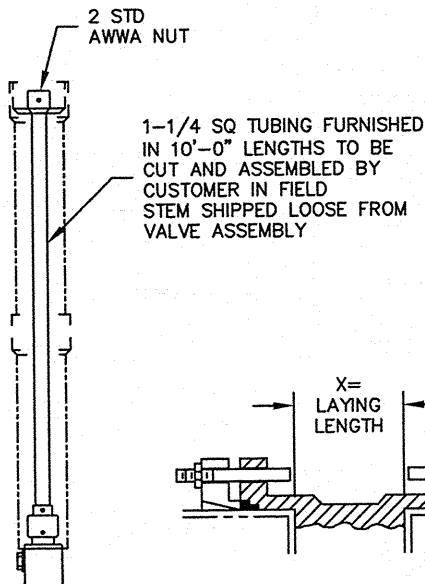
PIPE SIZE	PIPE O. D.	MIN. MATING I. D.
4	4.80	3.00
6	6.90	5.59
8	9.05	7.55
10	11.10	9.83
12	13.20	11.60
14	15.65	12.81
16	17.80	14.81
18	19.92	16.85
20	22.06	18.86

ACTUATOR SIZE	VALVE SIZE	J	L	M	N	P	Q	R	NUMBER OF TURNS
MDT-2S	3"-8"	4-11/16	2	2-1/8	2	4-1/2	4-1/4	8-1/4	32
MDT-3S	8"-14"	5-5/8	2-7/16	3-1/4	3-5/32	5-5/8	5-3/8	10-3/8	30
MDT-4S	16" & 18"	6-3/8	2-27/32	3-3/8	4	7-5/16	6-3/4	11-5/16	40
MDT-5	18" & 20"	7-9/16	3-15/32	4-1/2	5-1/2	8-3/4	10	17	44

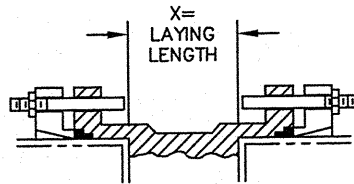
VALVE SIZE	A	B	C	D	E	F	G	X
4	5-1/2	3-1/2	9	8-1/8	1	4--3/4	7 1/2	3-1/8
6	6-1/2	5-1/8	11	8-1/2	1	6--3/4	9 1/2	3-1/2
8	7-3/4	6-1/2	13-1/4	8-5/8	1-1/8	6--3/4	11 3/4	3-5/8
10	9	9-7/8	15-9/16	10	1-3/16	8--3/4	14	5
12	10-1/2	11-3/8	17-15/16	10-1/2	1-1/4	8--3/4	16-1/4	5-1/2
14	11-7/8	12-3/4	20-5/16	11-1/2	1-5/16	10--3/4	18 3/4	4-1/2
16	13-1/2	14-3/8	22-9/16	12	1-3/8	12--3/4	21	5
18	14-3/8	15-1/4	24-11/16	12-1/4	1-3/8	12--3/4	23-1/4	5-1/4
20	16	16-7/8	27-3/32	12-1/2	1-1/2	14--3/4	25-1/2	5-1/2



ACTUATOR POSITION 1



OPTIONAL EXTENSION STEM ARRANGEMENT



INSTALLATION DIAGRAM  
BOLTS, NUTS, GLANDS  
AND GASKETS FURNISHED  
BY OTHERS

NOTES:

1. ALL DIMENSIONS SHOWN IN INCHES.
2. "D" DIMENSION  $\pm 1/16$ " FOR 4" VALVES.  
"D" DIMENSION  $+1/8$ "  $-0$  FOR 6" THRU 20" VALVES.
3. BOLT HOLES WILL BE  $1/8$ " LARGER THAN DIAMETER OF BOLT.
4. DIMENSIONS AND DRILLING OF MECHANICAL JOINT ENDS CONFORM TO ANSI/ AWWA C111/ A21.11.
5. VALVES MANUFACTURED & TESTED IN ACCORDANCE WITH AWWA SPECIFICATION C-504 LATEST REVISION, CLASS 250B.
6. EXTENSION STEM CAN BE USED WITH STANDARD VALVE BOXES OR 5" SOIL PIPE
7. CAUTION: WHEN USING 10" AND 12" VALVES ON CLASS 200 PVC PIPE, PIPE END I.D. MUST BE BEVELLED TO ENSURE CLEARANCE FOR DISC AND PROPER VALVE OPERATION.

REV	DATE	DESCRIPTION	DWN	APP
3	01/13/17	REM SLOTS FROM PICTURE	JWD	JF
2	12/16/16	CORRECTED 10" "D", "X"	JWD	RF
1	12/14/11	CORRECTED 12" "D", "X"	CEM	MNB

**PRATT**

HP250II MJE  
4" THRU 20"  
MDT BURIED SERVICE ACTUATOR

SCALE NONE DATE 2/2/09

DRAWN BY CEM CHECKED BY JMR

APPROVED GA=BORDER

DRWG. NO. GA-11872 REV 3 A/C