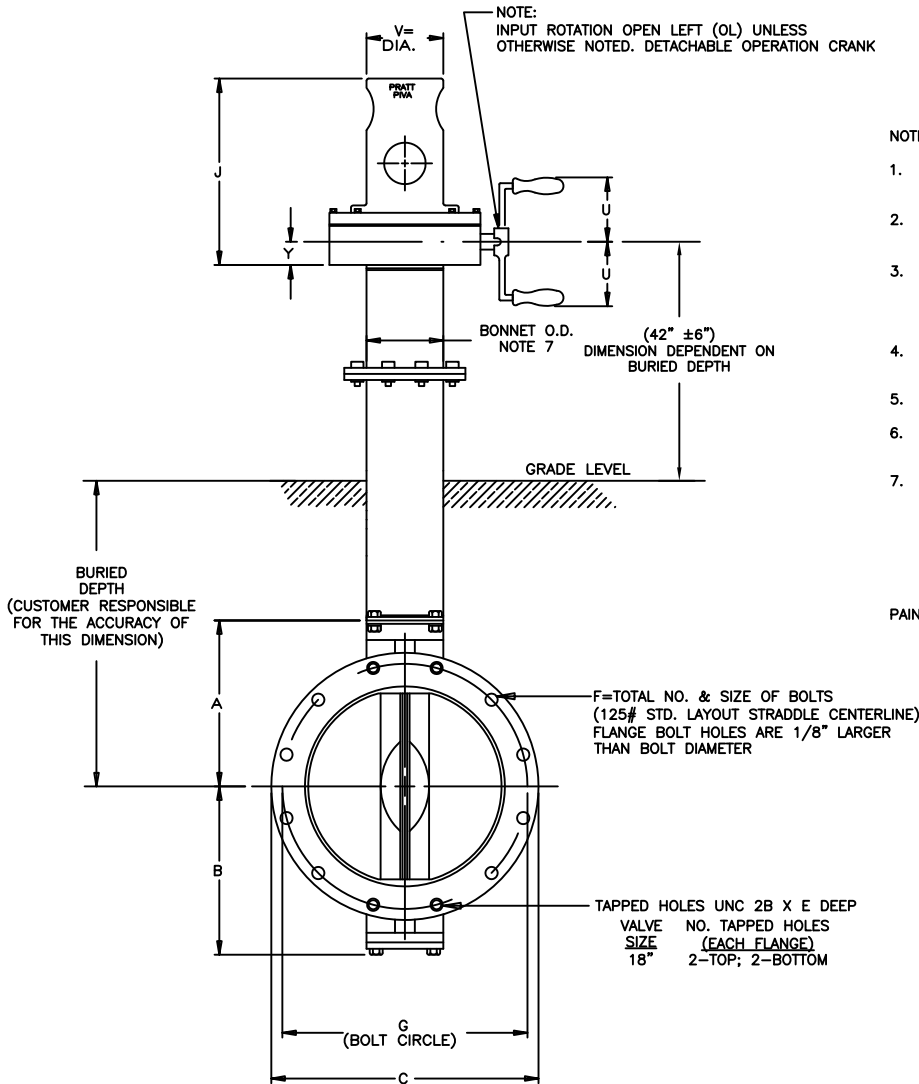
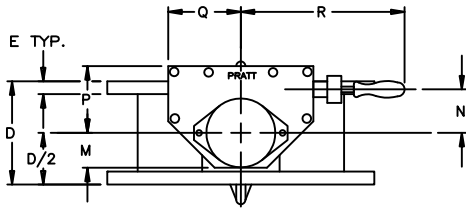


VALVE SIZE	ACTUATOR SIZE	A	B	C	D (NOTE 1)	E	F	G	J	M	N	P	Q	R	U	V	Y	NUMBER OF TURNS
3	MDT-2S	5-1/8	3-3/4	7-1/2	5	13/16	4--5/8	6	12	2-1/8	2	4-1/2	4-1/2	13-5/16	8-5/8	4-1/2	2	32
4	MDT-2S	5-7/8	4-1/2	9	5	1	8--5/8	7-1/2	12	2-1/8	2	4-1/2	4-1/2	13-5/16	8-5/8	4-1/2	2	32
6	MDT-2S	6-7/8	5-1/2	11	5	1-1/16	8--3/4	9-1/2	12	2-1/8	2	4-1/2	4-1/2	13-5/16	8-5/8	4-1/2	2	32
8	MDT-2S	8-1/8	6-3/4	13-1/2	6	1-3/16	8--3/4	11-3/4	12	2-1/8	2	4-1/2	4-1/2	13-5/16	8-5/8	4-1/2	2	32
10	MDT-3S	9-3/8	9-7/8	16	8	1-1/8	12--7/8	14-1/4	12-7/8	3-1/4	3-5/32	5-5/8	5-3/8	15-7/16	8-5/8	4-1/2	2-7/16	30
12	MDT-3S	11	11-3/8	19	8	1-5/16	12--7/8	17	12-7/8	3-1/4	3-5/32	5-5/8	5-3/8	15-7/16	8-5/8	4-1/2	2-7/16	30
14	MDT-3S	12-3/8	12-5/8	21	8	1-7/16	12--1	18-3/4	12-7/8	3-1/4	3-5/32	5-5/8	5-3/8	15-7/16	8-5/8	4-1/2	2-7/16	30
16	MDT-4S	14	14-1/2	23-1/2	8	1-1/2	16--1	21-1/4	13-1/2	3-3/8	4	7-5/16	6-3/4	18-3/4	12-9/16	4-1/2	2-27/32	40
18	MDT-4S	14-7/8	15-1/4	25	8	1-5/8	16--1-1/8	22-3/4	13-1/2	3-3/8	4	7-5/16	6-3/4	18-3/4	12-9/16	4-1/2	2-27/32	40



NOTES:

- ALL DIMENSIONS SHOWN IN INCHES. "D" DIMENSION  $\pm 1/16"$  FOR 4" THRU 10" VALVES. "D" DIMENSION  $\pm 1/8"$  FOR 12" THRU 18" VALVES.
- DIMENSIONS AND DRILLING OF END FLANGES CONFORM TO THE AMERICAN CAST IRON FLANGE STANDARDS, CLASS 125 (B16.1).
- (RECOMMENDATIONS FOR MATING FLANGES) WHERE INSULATING BUSHINGS ARE USED, IT IS NECESSARY THAT BOLT HOLES BE DRILLED OVERSIZE BY AN AMOUNT EQUAL TO TWO TIMES THE INSULATING SLEEVE THICKNESS TO MAINTAIN THE SAME MINIMUM CLEARANCE FOR BOLTS.
- VALVES MANUFACTURED AND TESTED IN ACCORDANCE WITH AWWA SPECIFICATIONS C-504. CLASS 250B
- ACTUATOR MOUNTED IN POSITION AS SHOWN.
- VALVE ASSEMBLIES ARE UNDERWRITERS LABORATORIES (UL) LISTED AND APPROVED FOR USE IN FIRE PROTECTION SYSTEMS.
- OUTER TUBE O.D.  
4-1/2" ON VALVE SIZES 8" AND SMALLER.  
5-9/16" ON VALVE SIZES 10" THRU 14"  
6-5/8" ON VALVE SIZES 16" AND 18"

PAINT: UPPER BONNET AND ACTUATOR - FIRE SAFETY RED  
LOWER BONNET AND VALVE - AMERCOAT 370 OXIDE RED

REV	DATE	DESCRIPTION	DWN	APP
04	4/18/18	REVISED LOGO, NOTES & BURIED DIMS	DCC	RF
03	5/9/16	ADDED 3" TO TABLE AND REV. NOTES	JUR	PPS
02	12/17/15	G,J DIM. CORRECTION	JUR	RCB
01	8/25/15	DIM. CORRECTION	JUR	RCB

**PRATT**

PIVA BUTTERFLY VALVE  
3"-18" 250/125# FLANGED ENDS  
MDT ACTUATOR  
DETACHABLE HANDCRANK (UL)

SCALE NONE DATE 3/3/15  
DRAWN BY JUR CHECKED BY PPS  
APPROVED GA=BORDER  
DRWG. NO. GA-11917 REV 4 A/C