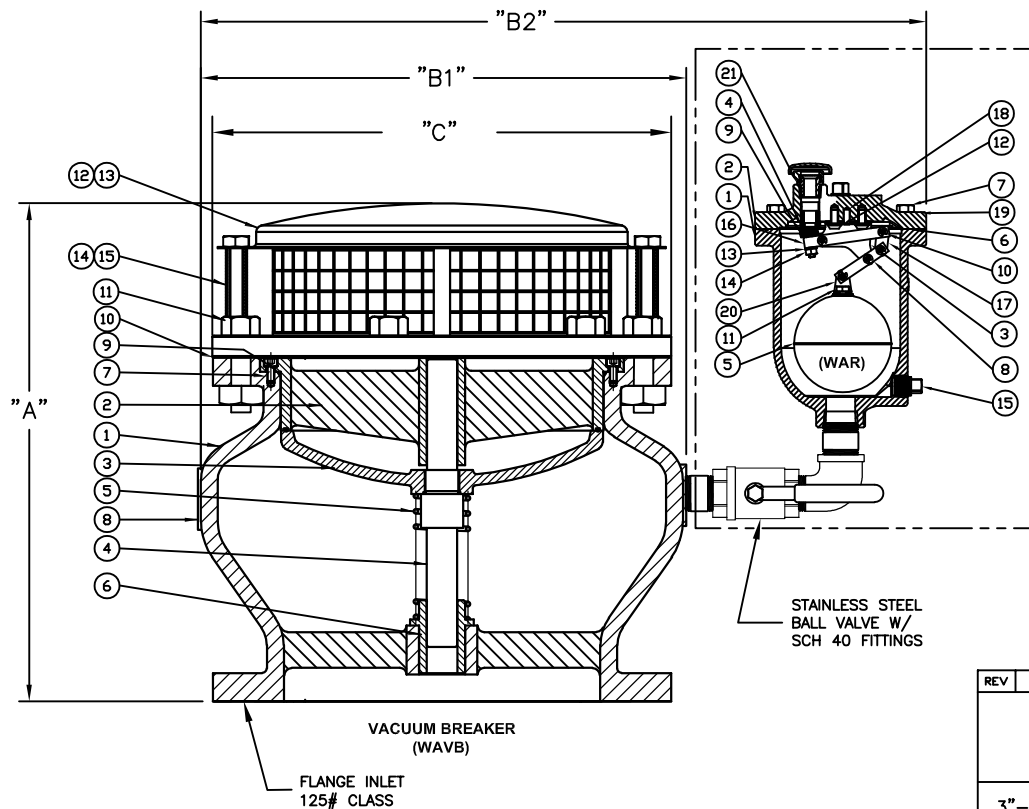


PIPE SIZE	COMBO MODEL #	VACUUM BREAKER MODEL	AIR RELEASE MODEL	PIPING MANIFOLD	"A"	"B1"	"B2"	"C"
3"	WAVBD30G-150F-N-FS	WAVB30G-150F-FS	WAR10-316-150-FS	2354269-AIR	9"	6-7/8"	16-1/8"	7-1/2"
4"	WAVBD40G-150F-N-FS	WAVB40G-150F-FS	WAR10-316-150-FS	2354269-AIR	10-1/4"	8-1/2"	17-3/4"	9"
6"	WAVBD60G-150F-N-FS	WAVB60G-150F-FS	WAR10-316-150-FS	2354269-AIR	13-1/2"	11-1/8"	20-3/8"	11"
8"	WAVBD80G-150F-N-FS	WAVB80G-150F-FS	WAR10-316-150-FS	2354269-AIR	17"	16-1/8"	25-3/8"	13-1/2"
10"	WAVBD100G-150F-N-FS	WAVB100G-150F-FS	WAR10-316-150-FS	2354269-AIR	21"	17-7/8"	27-1/8"	16"
12"	WAVBD120G-150F-N-FS	WAVB120G-150F-FS	WAR10-316-150-FS	2354269-AIR	19-1/4"	19-1/8"	28-3/8"	19"
14"	WAVBD140G-150F-N-FS	WAVB140G-150F-FS	WAR10-316-150-FS	2354269-AIR	22-1/4"	22-1/2"	31-3/4"	21"
16"	WAVBD160G-150F-N-FS	WAVB160G-150F-FS	WAR10-316-150-FS	2354269-AIR	24-1/8"	26"	35-1/4"	23-1/2"
18"	WAVBD180G-150F-N-FS	WAVB180G-150F-FS	WAR10-316-150-FS	2354269-AIR	26-1/4"	29"	38-1/4"	25"
20"	WAVBD200G-150F-N-FS	WAVB200G-150F-FS	WAR10-316-150-FS	2354269-AIR	30-1/8"	32-3/4"	42"	27-1/2"

AIR RELEASE VALVE (WAR)	
1	BODY DUCTILE IRON ASTM A536 (65-45-12)
2	COVER DUCTILE IRON ASTM A536 (65-45-12)
3	LEVER BRACKET STAINLESS STEEL 316
4	SEAT STAINLESS STEEL 316
5	FLOAT STAINLESS STEEL 316
6	O-RING EPDM
7	COVER BOLT STAINLESS STEEL 316
8	SHORT LEVER ARM STAINLESS STEEL 316
9	BUTTON SS 316 /EPDM
10	PIVOT PIN/RET RING STAINLESS STEEL
11	FLOAT RETAINER STAINLESS STEEL 316
12	POSITIONER STAINLESS STEEL 316
13	LOCK WASHER STAINLESS STEEL 316
14	LOCK NUT STAINLESS STEEL 316
15	1/2" PIPE PLUG STAINLESS STEEL 316
16	LONG LEVER ARM STAINLESS STEEL 316
17	ARM LINK STAINLESS STEEL 316
18	POSITIONING PIN STAINLESS STEEL 420
19	LOCK WASHER STAINLESS STEEL 316
20	CLEVIS STAINLESS STEEL 316
21	VENT CAP DUCTILE IRON/SS

VACUUM BREAKER VALVE (WAVB)		
ITEM	DESCRIPTION	MATERIAL
1	BODY	DUCTILE IRON ASTM A536 (65-45-12)
2	SEAT/SEAL	STAINLESS STEEL 304/EPDM
3	DISC	STAINLESS STEEL 304
4	STEM	STAINLESS STEEL 304
5	(3"-16" VALVE) SPRING (18"& 20" VALVE) SPRING	STAINLESS STEEL 316 STAINLESS STEEL 304
6	GUIDE BUSHING	BRONZE ASTM B584
7	SHCS	STAINLESS STEEL 304
8	NAME PLATE	STAINLESS STEEL 304
9	SEAT O-RING	EPDM
10	FLG. GASKET	EPDM
11	HARDWARE	STAINLESS STEEL 316
12	SCREEN	STAINLESS STEEL 316
13	HOOD	CARBON STEEL
14	STANDOFF	CARBON STEEL
15	HOOD BOLT	STAINLESS STEEL 316



NOTE: OPTIONAL AIR RELEASE VALVE, PIPING MANIFOLD ARE OPTIONAL & SHIPPED LOOSE.

REV	DATE	DESCRIPTION	DWN	APP	
<b>PRATT</b>					
3"-20" WAVB VACUUM BREAKER / WAVBD VACUUM BREAKER W/ AIR RELEASE ASSEMBLY (150 PSI)					
SCALE NONE DATE 8/1/2018					
DRAWN BY LF CHECKED BY SS					
APPROVED GA=BORDER					
DRWG. NO. GA-11929G				REV 0	A/c