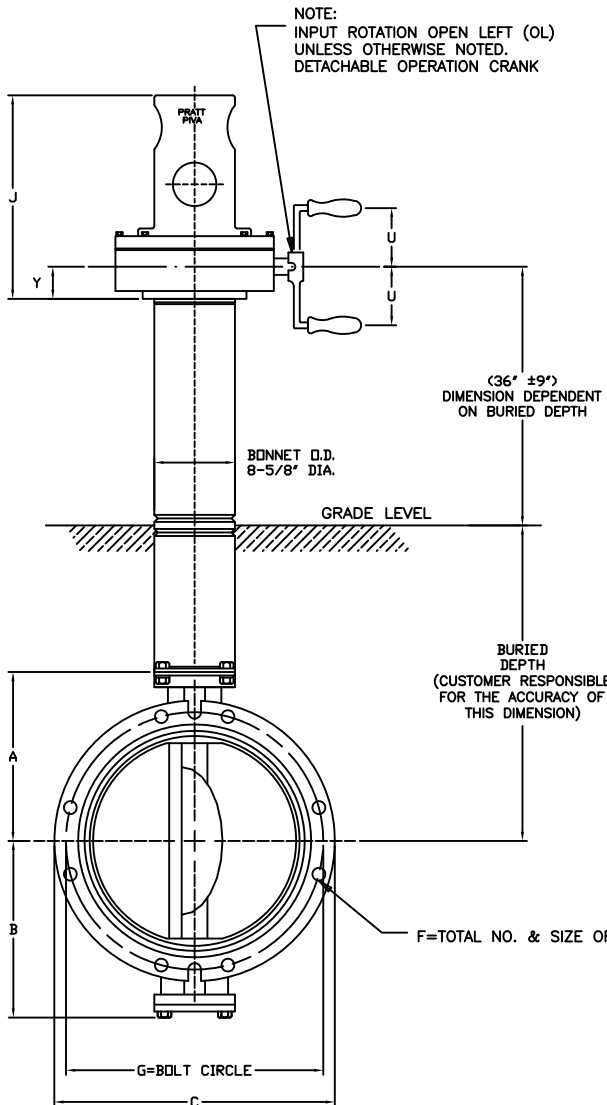
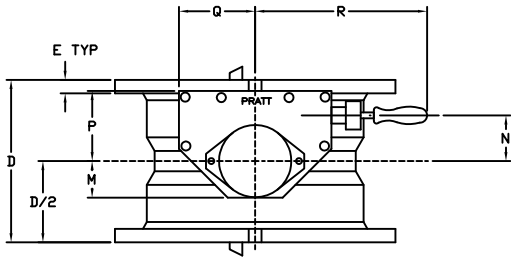
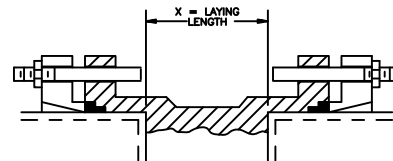


VALVE SIZE	ACTUATOR SIZE	A	B	C	D (NOTE 1)	E	F	G	X	J	M	N	P	Q	R	U	V	Y	NUMBER OF TURNS
20	MDT-5	16-1/2	17	27-3/32	12-1/2	1-1/2	14--3/4	25-1/2	5-1/2	11-13/16	3-3/8	5-1/2	8-3/4	10-1/8	24	12-9/16	4-1/2	4	44
24	MDT-5S	19-3/8	18-1/2	31-9/16	13-1/4	1-19/32	16--3/4	30	6-1/4	17-13/16	9-3/16	3-5/8	10-1/2	15-15/16	26-19/32	12-9/16	4-1/2	4-11/16	136



NOTE:
INPUT ROTATION OPEN LEFT (OL)
UNLESS OTHERWISE NOTED.
DETACHABLE OPERATION CRANK



INSTALLATION DIAGRAM

NOTE:
BOLTS, NUTS, GLANDS AND GASKETS
FURNISHED BY OTHERS

NOTES:

1. ALL DIMENSIONS SHOWN IN INCHES. "D" DIMENSION $\pm 1/8"$.
2. VALVES MANUFACTURED AND TESTED IN ACCORDANCE WITH AWWA SPECIFICATIONS C-504. CLASS 250B
3. ACTUATOR MOUNTED IN POSITION AS SHOWN.
4. VALVE ASSEMBLIES ARE UNDERWRITERS LABORATORIES (UL) LISTED AND APPROVED FOR USE IN FIRE PROTECTION SYSTEMS.

PAINT: ALL PAINT ABOVE GRADE LEVEL - FIRE SAFETY RED
ALL PAINT BELOW GRADE LEVEL - AMERCOAT 370 OXIDE RED

REV	DATE	DESCRIPTION	DCC	RF
1	4/18/18	REV. LOGO/DIMS./NOTES	DCC	RF
PRATT				
20" & 24" PIVA 250# BUTTERFLY VALVE MJE ENDS MDT ACTUATOR DETACHABLE HANDCRANK (UL)				
SCALE NONE DATE 3/3/15				
DRAWN BY JUR CHECKED BY PFS				
APPROVED GA=BORDER				
DRWG. NO.	GA-11965	REV 1	A/C	