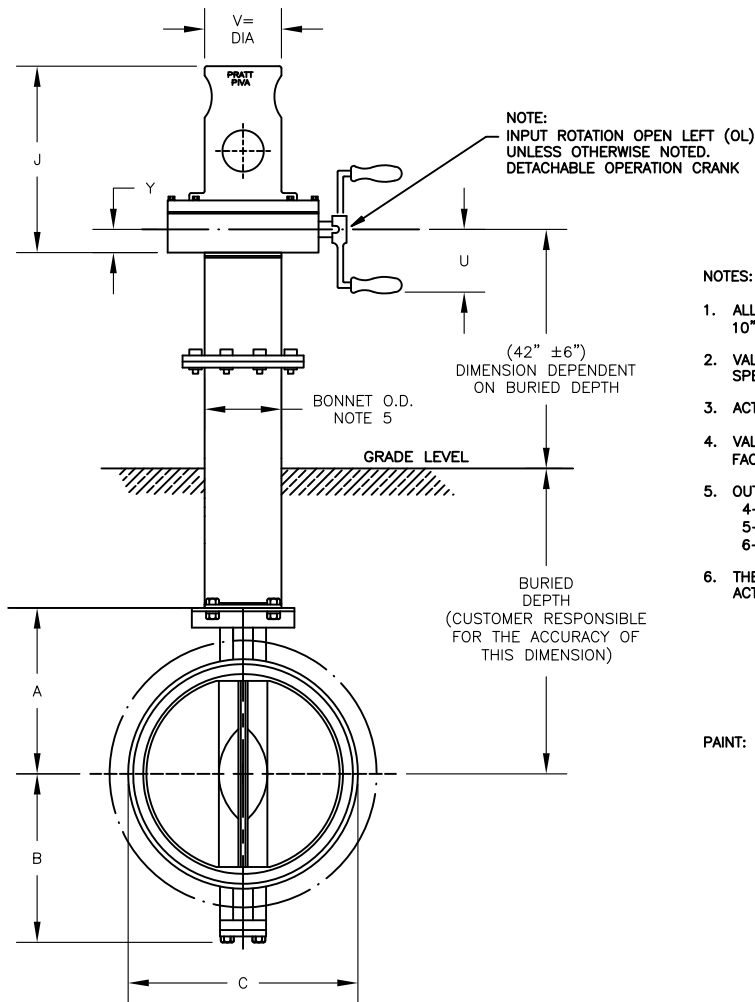
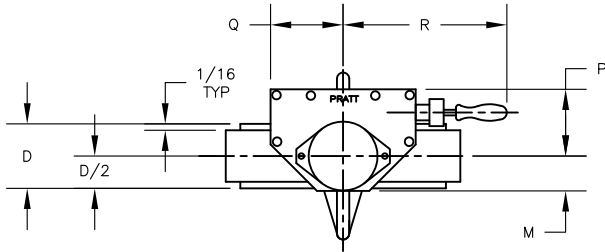


ACTUATOR SIZE	J	M	N	P	Q	R	U	V	Y	NUMBER OF TURNS
MDT-2S	12	2-1/8	2	4-1/2	4-1/8	11	8-5/8	4-1/2	2	32
MDT-3S	12-7/8	3-1/4	3-5/32	5-5/8	5-7/16	12-1/2	8-5/8	4-1/2	2-7/16	30
MDT-4S	13-1/2	3-3/8	4	7-5/16	6-3/4	18-11/16	12-9/16	4-1/2	2-7/8	40

VALVE SIZE	(NOTE 1)			
	A	B	C	D
4	5-7/8	3-1/2	6-3/4	2-5/16
6	6-7/8	5-1/8	8-5/8	2-15/16
8	8-1/8	6-1/2	10-7/8	3-1/16
10	9-3/8	9-7/8	13-1/4	3-3/16
12	11	11-3/8	16	3-7/16
14	12-3/8	12-5/8	17-5/8	3-11/16
16	14	14-1/2	20-1/8	4-3/16
18	14-7/8	15-3/8	21-1/2	4-11/16



NOTE:
DIMENSION "C" ALLOWS CLEARANCE FOR
150LB OR 125LB A.S.A. BOLT LAYOUT

NOTES:

- ALL DIMENSIONS SHOWN IN INCHES. "D" DIMENSION $\pm 1/16$ " FOR 4" THRU 10" VALVES. "D" DIMENSION $\pm 1/8$ " FOR 12" THRU 18" VALVES.
- VALVES MANUFACTURED AND TESTED IN ACCORDANCE WITH AWWA SPECIFICATIONS C-504, CLASS 150B
- ACTUATOR MOUNTED IN POSITION AS SHOWN
- VALVE ASSEMBLES ARE UNDERWRITERS LABORATORIES (UL) LISTED AND FACTORY MUTUAL (FM) APPROVED FOR USE IN FIRE PROTECTION SYSTEMS.
- OUTER TUBE O.D.
4-1/2" ON VALVE SIZES 8" AND SMALLER
5-9/16" ON VALVE SIZES 10" THRU 14"
6-5/8" ON VALVE SIZES 16" AND 18".
- THE FOLLOWING VALVE SIZES ARE FURNISHED WITH THE FOLLOWING ACTUATOR SIZES:

VALVE SIZE	ACTUATOR SIZE
4" THRU 8"	MDT-2S
10" THRU 14"	MDT-3S
16" AND 18"	MDT-4S

PAINT: UPPER BONNET AND ACTUATOR - FIRE SAFETY RED
LOWER BONNET AND VALVE - AMERCOAT 370 OXIDE RED

REV	DATE	DESCRIPTION	DWN	APP
3	4/19/18	REV. LOGO/NOTES/DIMS.	DCC	RF
2	7/14/15	REV. VLV/MDT: ADD 4, DEL 20	RCB	PPS
1	7/25/11	UPDATED PAINT	JTC	RCB

PRATT

4" - 18" PIVA
BUTTERFLY VALVES
MKII WAFER ENDS MDT ACTUATOR
DETACHABLE HANDCRANK

SCALE NONE DATE 9/24/09

DRAWN BY CEM CHECKED BY JR

APPROVED GA=BORDER

DRWG. NO. GA-12062 REV 3 A/C