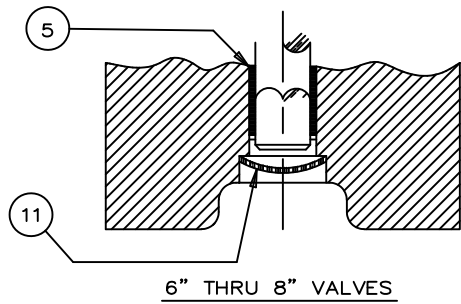
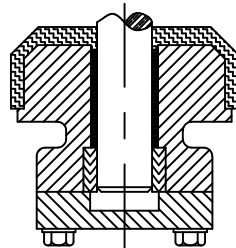


ITEM NO.	DESCRIPTION	MATERIALS	✓
1	BODY	DUCTILE IRON ASTM A-536 (65-45-12)	
2	DISC & EDGE	NICKEL ALUM BRONZE ASTM A-148/505 C95500	
3	SHAFT	STAINLESS STEEL ASTM A-276 TYPE 316 (150 PSI VALVE)	
		STN. STL. A-564 TYPE 630 COND. H-1150 (250 PSI VALVE)	
4	SQUEEZE PIN	STAINLESS STEEL ASTM A-276 TYPE 316 (150 PSI VALVE)	
		STN. STL. A-564 TYPE 630 COND. H-1150 (250 PSI VALVE)	
5	BEARING	NYLATRON GS	
		FLUOMETAL (250 PSI VALVE 6 & 8 ONLY) (PTFE IMPREGNATED w/ EXPANDED 317L METAL SHEET)	
6	PACKING	RUBBER (EPDM)	
7	KEY	AISI C1045 COLD DRAWN STEEL	
8	COVER	DUCTILE IRON ASTM A-536 (65-45-12)	
9	LOCKWASHER	STAINLESS STEEL TYPE 304	
		STAINLESS STEEL TYPE 316	
10	CAP SCREW	STAINLESS STEEL TYPE 304	
		STAINLESS STEEL TYPE 316	
11	EXP. PLUG	STAINLESS STEEL TYPE 304	
12	SEAT	RUBBER (EPDM)	
19	LINING	EPOXY	
		RUBBER (SAME AS 12)	



6" THRU 8" VALVES



10" THRU 20"  
MKII WAFER VALVES

REV	DATE	BY	DESCRIPTION	APP
△	4/24/23	RTF	UPDATED CROSS SECTION	RF
△	08/16/21	CA	CHANGED VALVE SIZES	RF
△	08/26/19	JUR	ADDED 316 FOR 9&10	SS
△	02/26/16	JCL	CORRECTED TYPO	RF

**PRATT**

by MUELLER brand

CROSS SECTION  
PARTS AND MATERIALS LIST  
6"-20" BONDED SEAT VALVES  
150B & 250B ALUMINUM BRONZE DISC

SCALE NONE DATE 9/22/15

DRAWN BY AMJ CHECKED BY \_\_\_\_\_

APPROVED SJS | GA=BORDER

DRWG. NO. GA-12091 REV 3 AYC