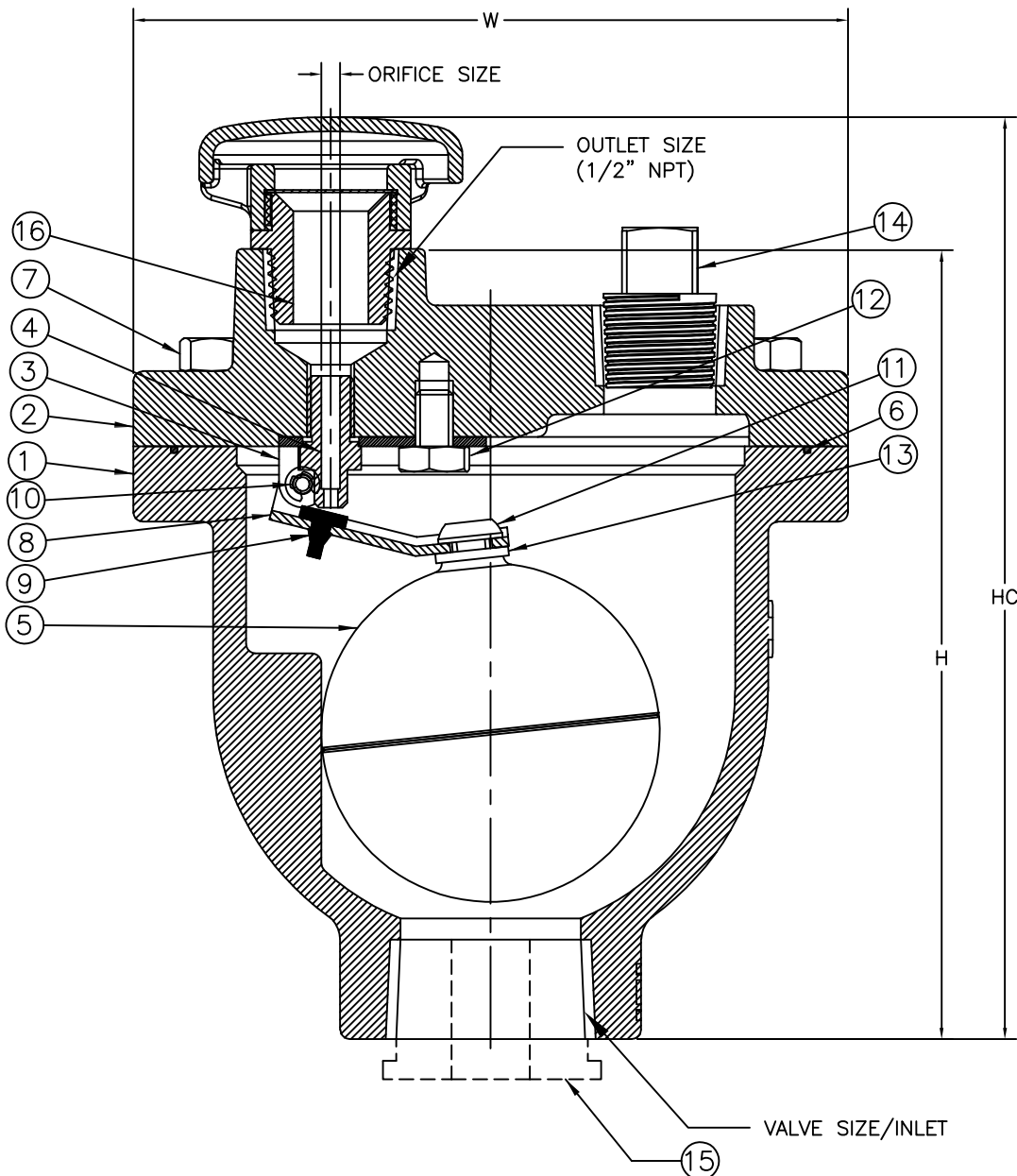


| VALVE SIZE | ORFICE SIZE | MAX C.W.P. | W | H | HC | PRATT PN | WT (LBS) |
|------------|-------------|------------|--------|--------|--------|------------------|----------|
| 1/2"(1) | 1/16" | 175 | 4-3/4" | 5-1/4" | 6-1/8" | WAR05-116-175-FS | 6.3 |
| 3/4"(1) | 1/16" | 175 | 4-3/4" | 5-1/4" | 6-1/8" | WAR75-116-175-FS | 6.3 |
| 1" | 1/16" | 175 | 4-3/4" | 5-1/4" | 6-1/8" | WAR10-116-175-FS | 6.3 |
| 1/2"(1) | 3/32" | 175 | 5-1/8" | 6" | 6-7/8" | WAR05-332-175-FS | 8.2 |
| 1/2"(1) | 1/16" | 300 | 5-1/8" | 6" | 6-7/8" | WAR05-116-300-FS | 8.2 |
| 3/4"(1) | 3/32" | 175 | 5-1/8" | 6" | 6-7/8" | WAR75-332-175-FS | 8.2 |
| 1" | 3/32" | 175 | 5-1/8" | 6" | 6-7/8" | WAR10-332-175-FS | 8.2 |
| 3/4"(1) | 1/16" | 300 | 5-1/8" | 6" | 6-7/8" | WAR75-116-300-FS | 8.2 |
| 1" | 1/16" | 300 | 5-1/8" | 6" | 6-7/8" | WAR10-116-300-FS | 8.2 |
| 3/4"(1) | 1/8" | 150 | 6-1/8" | 7" | 7-7/8" | WAR75-018-150-FS | 12.4 |
| 3/4"(1) | 3/32" | 300 | 6-1/8" | 7" | 7-7/8" | WAR75-332-300-FS | 12.4 |
| 1" | 1/8" | 150 | 6-1/8" | 7" | 7-7/8" | WAR10-018-150-FS | 12.4 |
| 1" | 3/32" | 300 | 6-1/8" | 7" | 7-7/8" | WAR10-332-300-FS | 12.4 |

NOTES:

1. INCLUDES REDUCER BUSHING

| ITEM | DESCRIPTION | MATERIAL |
|------|-----------------------------|--|
| 1 | BODY | DUCTILE IRON ASTM A536 65-45-12 |
| 2 | COVER | DUCTILE IRON ASTM A536 65-45-12 |
| 3 | LEVER BRACKET | 316SS |
| 4 | SEAT | 316SS |
| 5 | FLOAT | 316SS |
| 6 | O-RING | EPDM |
| 7 | COVER BOLT | 316SS |
| 8 | LEVER ARM | 316SS |
| 9 | BUTTON | EPDM |
| 10 | PIVOT PIN/RET RING | 316SS/17-7 PH SS |
| 11 | FLOAT RETAINER | 316SS |
| 12 | POSITIONER | 316SS |
| 13 | LOCK WASHER | 316SS |
| 14 | 1/2" PIPE PLUG | 316SS |
| 15 | REDUCER BUSHING (IF REQ) | 316SS |
| 16 | VENT CAP | DUCTILE IRON A536 65-45-12/ 316SS SCREEN |



| REV | DATE | DESCRIPTION | DWN | APP |
|-----|---------|-------------|-----|-----|
| 2 | 2/22/18 | REV. TABLE | DSL | SS |
| 1 | 4/4/16 | REV. TABLE | JUR | RF |

PRATT®

1/2" - 1" WAR SIMPLE LEVER
WATER AIR RELEASE VALVE

| | | | |
|-----------|-----------|------------|---------|
| SCALE | NONE | DATE | 3/25/16 |
| DRAWN BY | JUR | CHECKED BY | RF |
| APPROVED | GA-BORDER | | |
| DRWG. NO. | GA-12310 | REV | 2 |