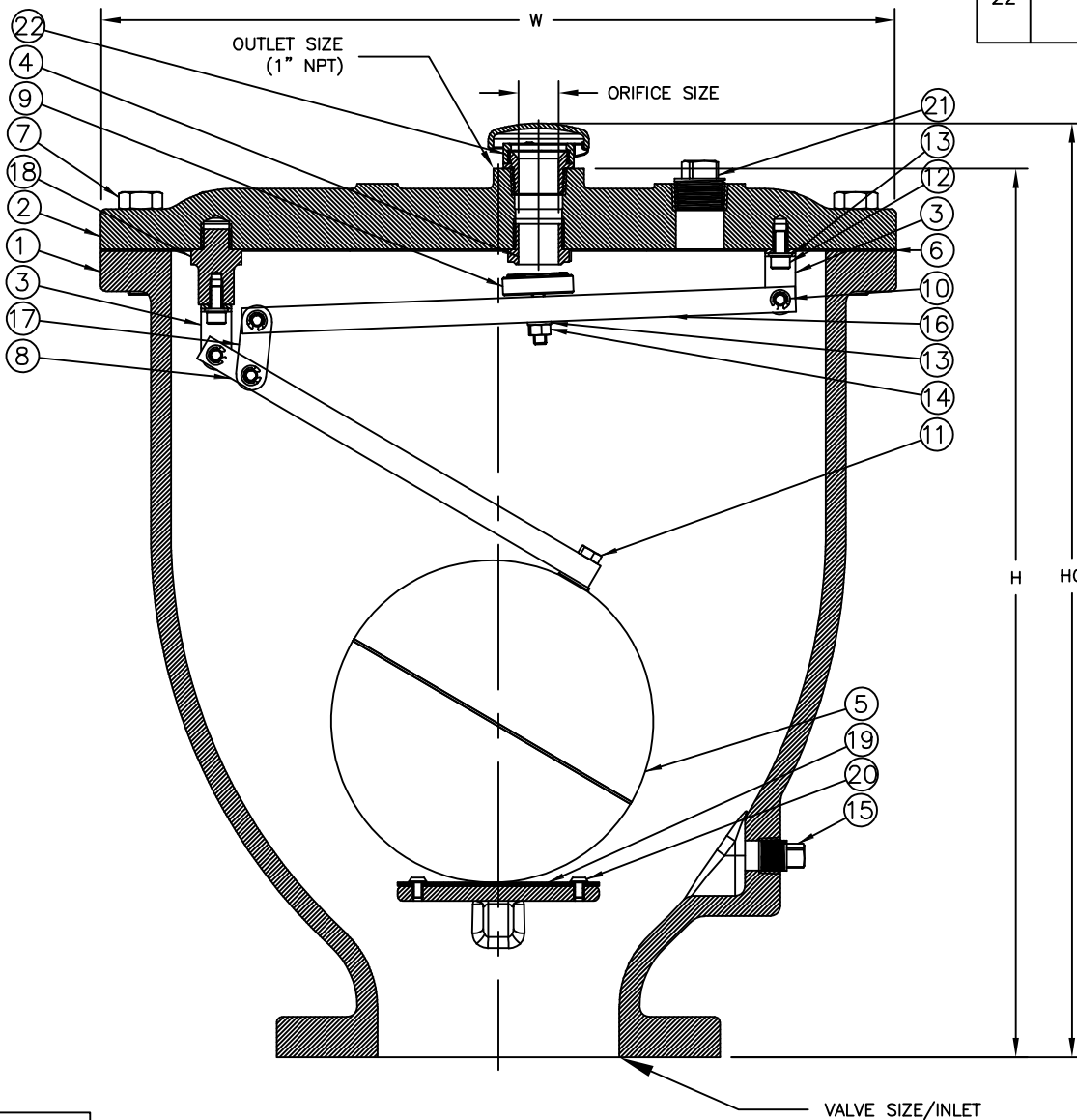


VALVE SIZE	ORIFICE SIZE	MAX C.W.P	INLET CONNECTION	W	H	HC	PRATT PN	WT. LBS
6"	1"	150	#125 FLG	19-3/4"	22"	23-1/4"	WAR60-100-150F-FS	200.9

ITEM	DESCRIPTION	MATERIAL
1	BODY	DUCTILE IRON A536 65-45-12
2	COVER	DUCTILE IRON A536 65-45-12
3	LEVER BRACKET	316SS
4	SEAT	316SS
5	FLOAT	316SS
6	GASKET	NON-ASBESTOS FIBER
7	COVER BOLT	316SS
8	SHORT LEVER ARM	316SS
9	BUTTON	EPDM/SS
10	PIVOT PIN & RETAINING RING	316SS/ 17-7 PH SS
11	FLOAT RETAINER	316SS
12	POSITIONER	316SS
13	LOCK WASHER	316S
14	LOCK NUT	316SS
15	1/2" PIPE PLUG	316SS
16	LONG LEVER ARM	316SS
17	ARM LINK	316SS
18	LEVER BRACKET BASE	316SS
19	CUSHION	EPDM
20	CUSHION RETAINER	316SS
21	1" PIPE PLUG	316SS
22	VENT CAP AND SCREEN	DUCTILE IRON A536 65-45-12/ SCREEN 316SS



1	2/22/18	UPDATED PN'S/MATERIALS ADDED NOTES	JUR	SS
REV	DATE	DESCRIPTION	DWN	APP
<b>PRATT</b>				
6" WAR COMPOUND LEVER WATER AIR RELEASE VALVE				
SCALE		NONE	DATE 8/7/17	
DRAWN BY		DSL	CHECKED BY RF	
APPROVED		GA=BORDER		
DRWG. NO.	GA-12410	REV 1	AYC	