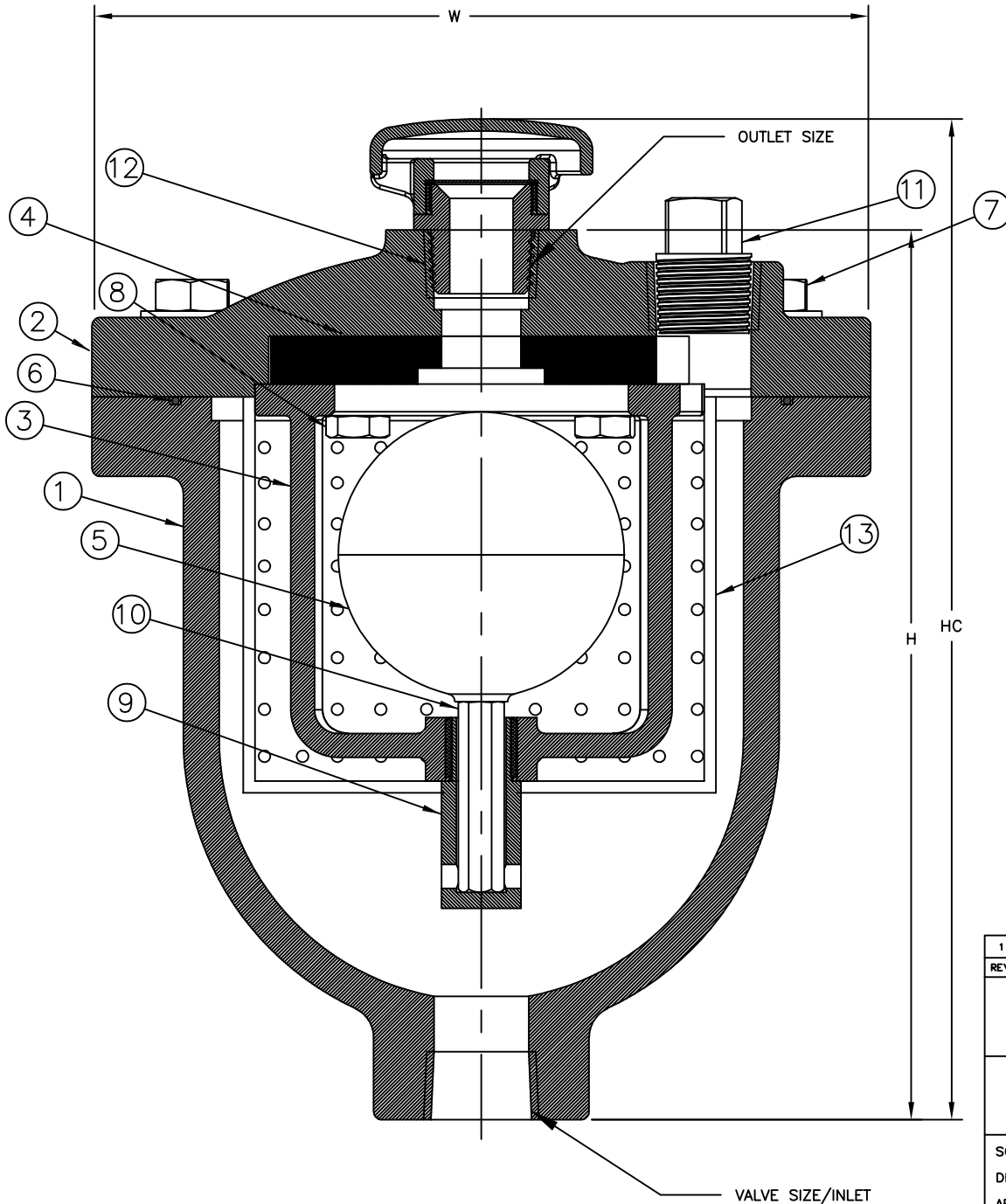


VALVE SIZE	MAX C.W.P	INLET CONNECTION	W	H	HC	PRATT PN	WT. LBS
1/2"	300	NPT	6-1/8"	7"	7-7/8"	WAV05-300-FS	14

ITEM	DESCRIPTION	MATERIAL
1	BODY	DUCTILE IRON A536 65-45-12
2	COVER	DUCTILE IRON A536 65-45-12
3	BAFFLE	DUCTILE IRON A536 65-45-12
4	SEAT	EPDM
5	FLOAT	316SS
6	O-RING	EPDM
7	COVER BOLT	316SS
8	BAFFLE BRACKET	316SS
9	GUIDE BUSHING	316SS
10	GUIDE SHAFT	316SS
11	1/2" PIPE PLUG	316SS
12	VENT CAP AND SCREEN	DUCTILE IRON A536 65-45-12/ 316SS SCREEN
13	DIFFUSER	PERFORATED 316SS



REV	DATE	REVISED PN'S/ MATERIAL UPDATED GA	JUR	SS
1	2/22/18		JUR	SS
			DWN	APP
<b>PRATT</b>				
1/2" WAV AIR VACUUM VALVE				
SCALE		NONE	DATE 8/9/17	
DRAWN BY		DSL	CHECKED BY RF	
APPROVED		GA-BORDER		
DRWG. NO.	GA-12411	REV	1	A/C