

VALVE SIZE	AMERICAN CAST IRON FLANGE STANDART B16.1										F	G	H
	CLASS 125					CLASS 250							
	A	B	C	D	E	A	B	C	D	E			
8	24.43	13.50	1.12	8	11.75	24.43	15.00	1.62	12	13.00	9.00	9.87	30.50
10	29.06	16.00	1.19	12	14.25	29.06	17.50	1.88	16	15.25	11.88	12.36	38.70
12	31.00	19.00	1.25	12	17.00	32.50	20.50	2.00	16	17.75	15.00	13.50	41.57
14	38.50	21.00	1.38	12	18.75	38.50	23.00	2.12	20	20.25	18.25	15.50	44.50
16	42.50	23.50	1.44	16	21.25	44.00	25.50	2.25	20	22.50	18.13	16.06	45.18
18	41.75	25.00	1.56	16	22.75	43.38	28.00	2.38	24	24.75	19.00	17.50	45.50
20	47.00	27.50	1.69	20	25.00	48.63	30.50	2.50	24	27.00	22.00	17.75	55.00
24	56.00	32.00	1.88	20	29.50	57.75	36.00	2.75	24	32.00	23.00	23.50	48.25
30	64.00	38.75	2.12	28	36.00	65.75	43.00	3.00	28	39.25	34.38	27.56	80.25
36	77.50	46.00	2.38	32	42.75	79.75	50.00	3.38	32	46.00	31.00	32.13	67.37
42*	89.0	53.00	2.62	36	49.50	96.00	57.00	3.69	36	52.75	39.63	39.75	-
48*	102.00	59.50	2.75	44	56.00	102.00	65.00	4.00	40	60.75	47.63	43.25	-

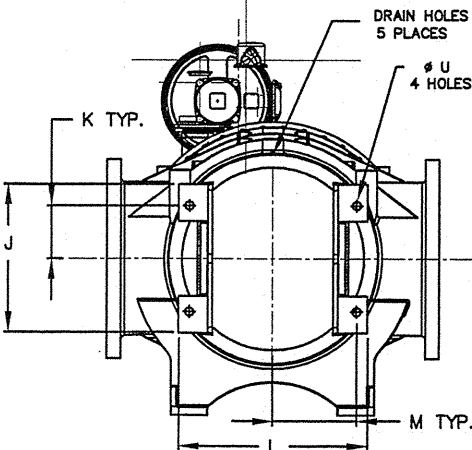
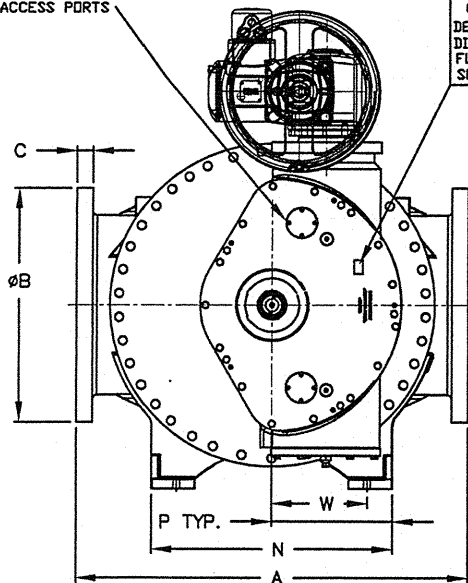
VALVE SIZE	I**	J	K	L	M	N	P	R	S	T	V	W	Ø U	WEIGHT, LB
8	-	-	-	-	-	9.87	3.75	9.87	3.75	18.50	-	-	.63	840
10	-	16.00	7.00	13.00	5.00	13.00	5.00	14.00	6.00	23.25	-	-	.63	1,200
12	-	16.00	7.00	13.00	5.00	13.00	5.00	14.00	6.00	28.50	-	-	.63	2,050
14	-	20.00	8.25	19.00	8.68	19.00	8.50	17.50	6.63	31.50	-	-	.63	2,650
16	-	17.13	7.38	21.50	9.88	21.50	10.75	17.50	8.75	34.25	6.81	9.88	.81	3,250
18	-	17.50	7.38	25.25	11.38	25.25	11.38	17.50	7.50	36.25	-	-	1.13	3,500
20	-	19.63	8.87	30.00	14.00	30.00	14.00	22.63	10.00	41.38	-	-	1.13	4,900
24	-	N/A	41.00	N/A	N/A	44.00	22.00	20.25	12.00	47.63	7.125	19.00	1.13	6,750
30	-	N/A	52.00	N/A	N/A	47.00	23.50	36.50	16.13	60.0	-	-	1.75	16,200
36	-	N/A	61.00	N/A	N/A	47.00	23.50	38.88	17.12	68.90	-	-	1.75	23,500
42*	-	N/A	67.00	N/A	N/A	61.00	30.50	61.00	30.50	82.50	-	-	2.00	36,200
48*	-	N/A	69.00	N/A	N/A	64.00	32.00	34.00	17.00	92.75	-	-	2.00	51,700

* ACTUATOR SIZED UPON APPLICATION.
 ** THIS DIMENSION DEPENDS ON ACTUATOR MODEL.

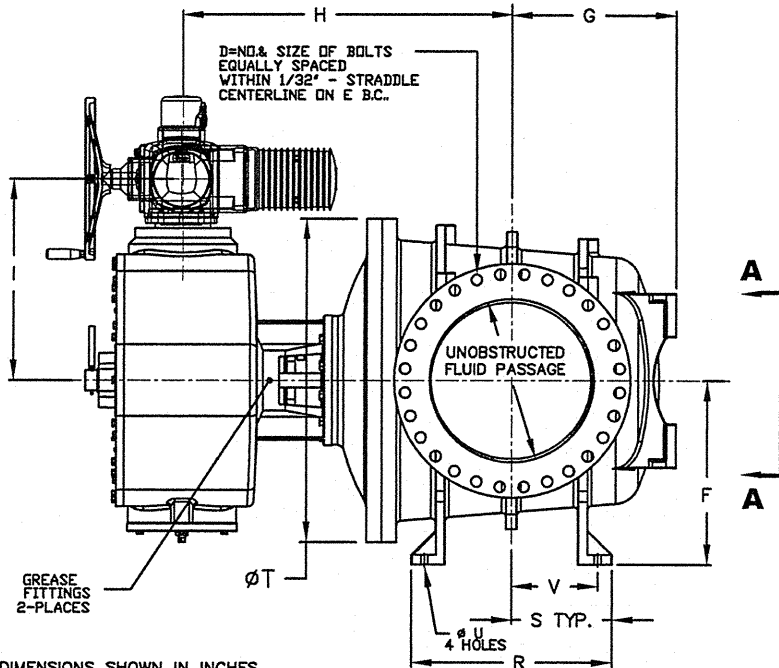
TWO ACCESS PORTS

NAME PLATE:

HENRY PRATT
 CONE VALVE
 DESIGN PRESSURE
 DIFFERENCE
 FLOW RATE M.G.D
 SERIAL NUMBER

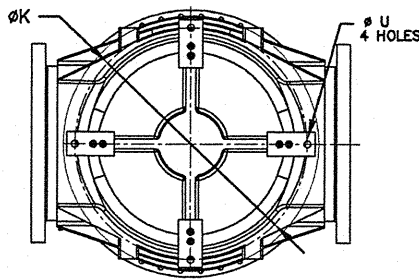


VIEW A-A
 MOUNTING FOR VERTICAL INSTALLATION
 FOR SIZES FROM 8" TO 20" VALVES



NOTES:

1. ALL DIMENSIONS SHOWN IN INCHES.
2. VALVES SHOWN WITH MOTOR, CYLINDER OPERATOR ARE AVAILABLE.
3. DIMENSIONS FOR LARGER SIZES OR HIGHER WORKING PRESSURE ARE AVAILABLE UPON REQUEST.
4. VALVES ARE DESIGNED FOR VERTICAL OR HORIZONTAL SHAFT OPERATION. HORIZONTAL SHAFT IS A PREFERRED INSTALLATION.
5. IT IS RECOMMENDED THAT VALVES BE INSTALLED INTO THE PIPING SYSTEM IN ACCORDANCE WITH AWWA M-11 IN ORDER TO PREVENT ANY UNDUE PIPING STRESS, DEFLECTION OR BENDING THAT MAY AFFECT THE PERFORMANCE OF THE VALVE.
6. DIMENSIONS SHOWN ARE FOR REFERENCE ONLY. ACTUAL DIMENSIONS MAY VARY DUE TO APPLICATION.
7. SPLIT SHAFT DESIGN FOR 20"-48" VALVES



VIEW A-A
 MOUNTING FOR VERTICAL INSTALLATION
 FOR SIZES FROM 24" TO 48" VALVES

REV	DATE	DESCRIPTION	DWN	APP
PRATT				
GENERAL ARRANGEMENT DRAWING CONE VALVES WITH MOTOR OPERATOR 150# / 300# SERVICE PRESSURE				
SCALE NONE DATE 1/30/18				
DRAWN BY SAD CHECKED BY SD				
APPROVED GA-BORDER				
DRWG. NO. GA-12442			REV 0	YC