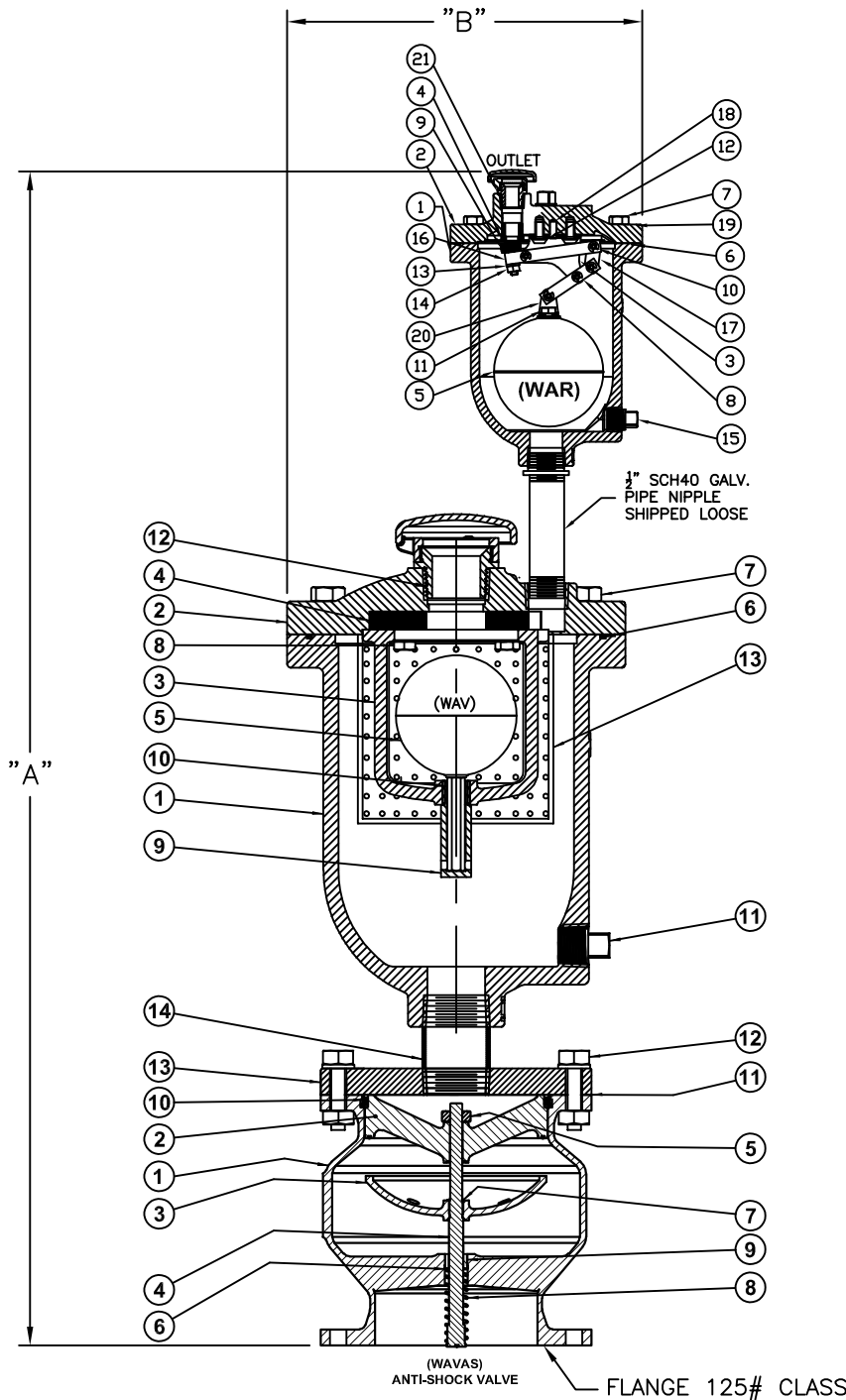


A.V. SIZE	ANTI-SHOCK MODEL	AIR VACUUM MODEL	AIR RELEASE MODEL	COMBO MODEL	A	B
2"	WAVAS20G-FS	WAV20-300-FS	WAR10-316-150-FS	WAVASD20G-150F-N-FS	33-9/16"	11-3/8"
3"	WAVAS30G-FS	WAV30-300-FS	WAR10-316-150-FS	WAVASD30G-150F-N-FS	36-7/8"	11-3/8"



AIR RELEASE VALVE (WAR)		
1	BODY	DUCTILE IRON ASTM A536 (65-45-12)
2	COVER	DUCTILE IRON ASTM A536 (65-45-12)
3	LEVER BRACKET	STAINLESS STEEL 316
4	SEAT	STAINLESS STEEL 316
5	FLOAT	STAINLESS STEEL 316
6	O-RING	EPDM
7	COVER BOLT	STAINLESS STEEL 316
8	SHORT LEVER ARM	STAINLESS STEEL 316
9	BUTTON	SS 316 /EPDM
10	PIVOT PIN/RET RING	STAINLESS STEEL
11	FLOAT RETAINER	STAINLESS STEEL 316
12	POSITIONER	STAINLESS STEEL 316
13	LOCK WASHER	STAINLESS STEEL 316
14	LOCK NUT	STAINLESS STEEL 316
15	1/2" PIPE PLUG	STAINLESS STEEL 316
16	LONG LEVER ARM	STAINLESS STEEL 316
17	ARM LINK	STAINLESS STEEL 316
18	POSITIONING PIN	STAINLESS STEEL 316
19	LOCK WASHER	STAINLESS STEEL 316
20	CLEVIS	STAINLESS STEEL 316
21	VENT CAP	DUCTILE IRON/SS

AIR VACUUM VALVE (WAV)		
ITEM	DESCRIPTION	MATERIAL
1	BODY	DUCTILE IRON ASTM A536 (65-45-12)
2	COVER	DUCTILE IRON ASTM A536 (65-45-12)
3	BAFFLE	DUCTILE IRON ASTM A536 (65-45-12)
4	SEAT	EPDM
5	FLOAT	STAINLESS STEEL 316
6	O-RING	EPDM
7	COVER BOLT	STAINLESS STEEL 316
8	BAFFLE BRACKET BOLT	STAINLESS STEEL 316
9	GUIDE BUSHING	STAINLESS STEEL 316
10	GUIDE SHAFT	STAINLESS STEEL 316
11	1/2" PIPE PLUG	STAINLESS STEEL 316
12	VENT CAP/SCREEN	DUCTILE IRON/SS 316
13	DIFFUSER	STAINLESS STEEL 316

ANTI-SHOCK VALVE (WAVAS)		
ITEM	DESCRIPTION	MATERIAL
1	BODY	DUCTILE IRON ASTM A536 (65-45-12)
2	SEAT/SEAL	STAINLESS STEEL 304/EPDM
3	DISC	STAINLESS STEEL 304
4	STEM	STAINLESS STEEL 304
5	STEM COLLAR	STAINLESS STEEL 316
6	INT/SNAP RING	STAINLESS STEEL 304
7	EXT/SNAP RING	STAINLESS STEEL 304
8	SPRING	STAINLESS STEEL 316
9	GUIDE BUSHING	BRONZE ASTM B-584
10	SEAT HARDWARE	STAINLESS STEEL 316
11	FLG. GASKET	EPDM
12	HARDWARE	STAINLESS STEEL 316
13	FLANGE	STEEL
14	PIPE NIPPLE	SCH 40 GALV. PIPE

REV	DATE	DESCRIPTION	DFN	APP
1	7/2/18	UPDATED GA	LF	

PRATT

2" & 3" WAVASD DUAL BODY
AIR VACUUM AND ANTI-SHOCK CHECK
VALVE W/AIR RELEASE VALVE (150 PSI)

SCALE NONE DATE 2/12/18

DRAWN BY JUR CHECKED BY _____

APPROVED SS GA=BORDER

DRWG. NO. GA-12446 REV 1 $\frac{A}{C}$

NOTES:
1. ANTI-SHOCK SEAT RETAINER SCREWS AND AIR VACUUM VALVE MUST BE FASTENED AS SHOWN AT ALL TIMES FOR SAFE OPERATION.