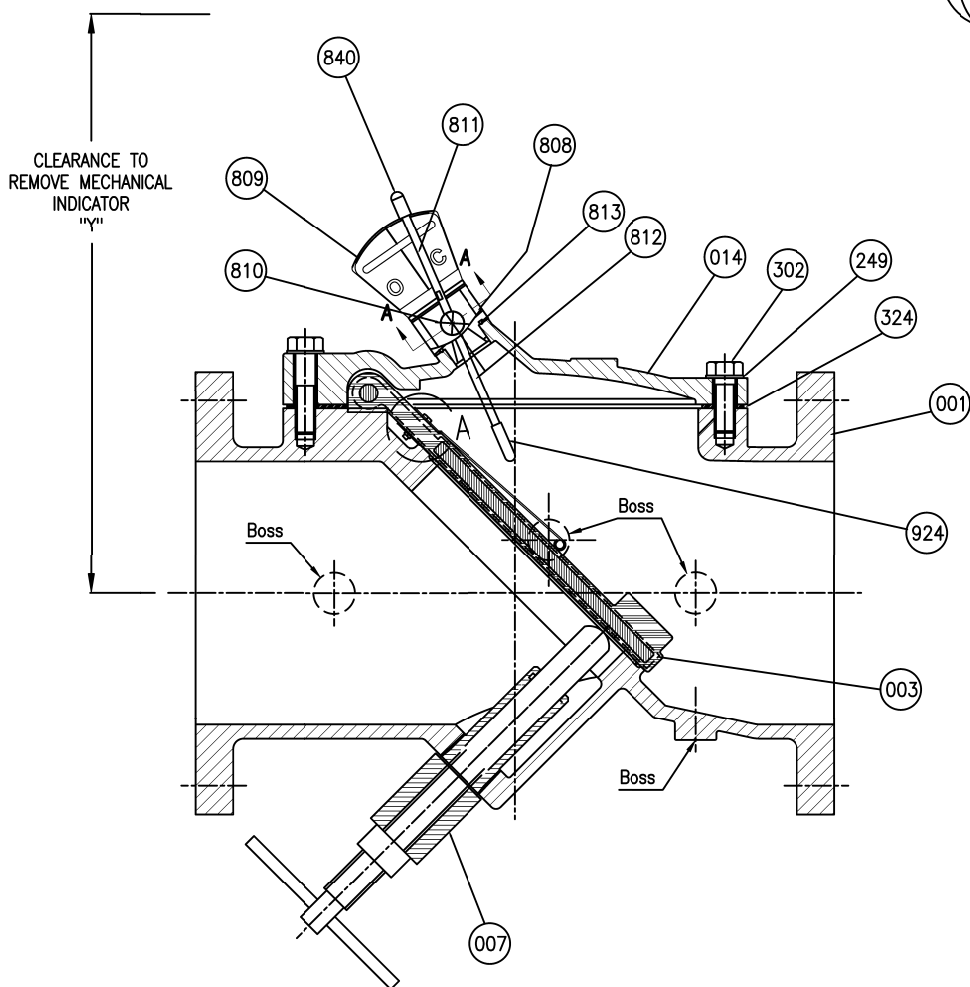
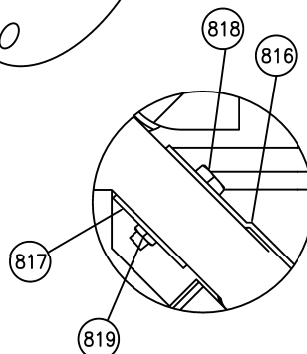
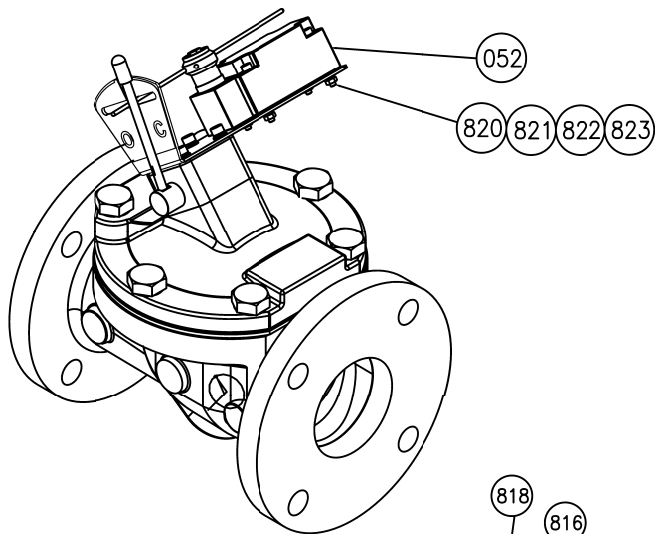
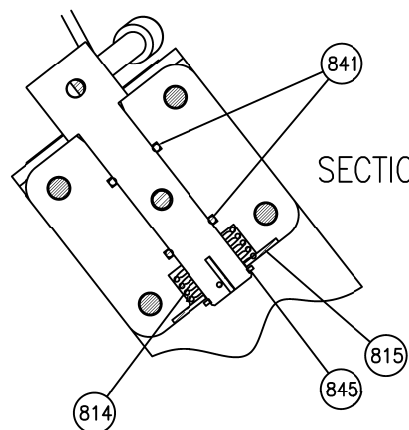


*SEE DRAWING HP50677, HP50678, HP50679 & HP50681 FOR DETAIL DIMENSIONS & CLEARANCE FOR REMOVAL



CLEARANCE TO REMOVE MECHANICAL INDICATOR "Y"

| | | | | |
|-----|------------------|---|--|-------|
| 052 | Limit Switch | <input type="checkbox"/> Nema 4 SPDT | <input type="checkbox"/> Exp Nema 7 DPDT | 1 |
| | | <input type="checkbox"/> Nema 4 DPDT | <input type="checkbox"/> Exp Nema 7 DPDT | |
| 823 | Shcs | Stainless Steel | Type 316 | 4 |
| 822 | Hex Nut | Stainless Steel | Type 316 | 4 |
| 821 | Lock Washer | Stainless Steel | Type 316 | 4 |
| 820 | Flat Washer | Stainless Steel | Type 316 | 4 |
| 819 | Surge Hex Nut | Stainless Steel | Type 316 | AR |
| 818 | Surge Bolts | Stainless Steel | Type 316 | AR |
| 817 | Surge Back Plate | Stainless Steel | Type 301 | 1 |
| 816 | Surge Inhibitor | Stainless Steel | Type 301 | 1 |
| 815 | Locking Plate | Stainless Steel | A 276 Type 304 | 1 |
| 841 | Shaft O-ring | Buna-N | D2000 BK 707 | 2 |
| 845 | Snap Ring | Stainless Steel | A 276 Type 304 | 1 |
| 814 | Torsion Spring | Spring Steel | - | 1 |
| 813 | Housing O-ring | Buna-N | D2000 BK 707 | 1 |
| 924 | Acorn Hex Nut | Stainless Steel | A 276 Type 304 | 1 |
| 812 | Actuator Pin | Stainless Steel | A 276 Type 304 | 1 |
| 840 | Indic. Pin Cap | EPDM | - | 1 |
| 811 | Indicator Pin | Stainless Steel | A 276 Type 304 | 1 |
| 810 | Indicator Shaft | Stainless Steel | A 276 Type 304 | 1 |
| 809 | Bracket | Stainless Steel | A 276 Type 304 | 1 |
| 808 | Indicator House | Delrim | ASTM D792 | 1 |
| | | <input type="checkbox"/> Galvanized Steel | A307 Grade B (Standard) | |
| 302 | Cover Bolt | <input type="checkbox"/> 316SS | ASTM A193 Grade B8M (Optional) | 1set |
| | | <input type="checkbox"/> Hastelloy | C276 (Optional for AIS) | |
| 324 | Cover Gasket | <input type="checkbox"/> Rubber (EPDM) | ASTM D2000 CA807 (Optional) | 1 |
| | | <input type="checkbox"/> Rubber (BUNA-N) | D 2000 BK 707 (Standard) | 1 |
| | | <input type="checkbox"/> Galvanized Steel | A307 Grade B (Standard) | |
| 249 | Washer | <input type="checkbox"/> 316SS | ASTM A193 Grade B8M (Optional) | 1set |
| | | <input type="checkbox"/> Hastelloy | C276 (Optional for AIS) | |
| 007 | Backflush Device | Stainless Steel | A 276 Type 304 | 1 |
| 014 | Cover | Ductile Iron | A 536 Gr.65-45-12 | 1 |
| | | Steel | A 36 | |
| 003 | Disc | <input type="checkbox"/> Rubber (EPDM) | ASTM D2000 CA707 (Optional) | 1 |
| | | <input type="checkbox"/> Rubber (BUNA-N) | D 2000 BK 707 (Standard) | |
| 001 | Body | Ductile Iron | A 536 Gr.65-45-12 | 1 |
| NO. | PARTS | MATERIAL | ASTM.DESIGNATION. | Q' TY |

MATERIAL LIST

| | | |
|------------------|-----|------|
| HYDRO SHELL | 500 | PSI. |
| HYDRO VALVE SEAT | 250 | PSI. |
| TEST PRESSURE | | |
| WORKING PRESSURE | 250 | PSI. |

| | | | | | | | |
|------------|--|-----------|----|------------------|---|-------------------|-------------|
| ISSUE NUM. | PRATT <small>a MUELLER brand</small> | | | | BY: CA | DATE: 07/24/20 | SCALE: NONE |
| | | | | | CHK'D BY: | DIMENSION: INCHES | |
| | DATE | REVISIONS | BY | CHK | TITLE 2"-24" FLEX CHECK VALVE FIG.851 W/BFD, LIMIT SWITCH, (MECH.IND.),SURGE PROTECTOR 250PSI,ANSI 125 FLANGES | | |
| | 1 | | | | | | |
| 2 | | | | | | | |
| 3 | | | | | | | |
| 4 | | | | DWG. NO. HP50693 | | | |