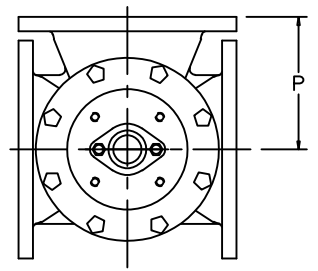


VALVE SIZE	A	B	C	D	E	F	G	H	J	N	P	Q	R	S	T	U
3	3	8	0.75	4.96	4.81	7.50	6.00	4	0.75	1.00	5.50	-	-	4	-	11.00
4	4	9.88	1.00	6.94	5.94	9.00	7.50	6	0.75	2.00	6.50	2	0.63	8	-	12.75
6	6	11.63	1.00	8.06	7.06	11.00	9.50	6	0.88	2.00	8	2	0.75	8	-	12.00
8	8	13.88	1.13	11.75	10.94	13.50	11.75	4	0.88	2.00	9	4	0.75	8	-	17.75
10	10	16.75	1.19	11.75	10.94	16.00	14.25	12	1	2.00	11	-	-	12	-	17.75
12	12	19.00	1.25	13.50	12.88	19.00	17.00	12	1	2.00	11.56	-	-	8	4	19.50
14	14	21.00	1.38	14.38	14.19	21.00	18.75	10	1.13	N/A (1)	12.50	2	1.00	8	4	18.31
16	16	23.75	1.44	15.06	14.75	23.50	21.25	16	1.13	N/A (1)	15.13	-	-	16	-	20.69

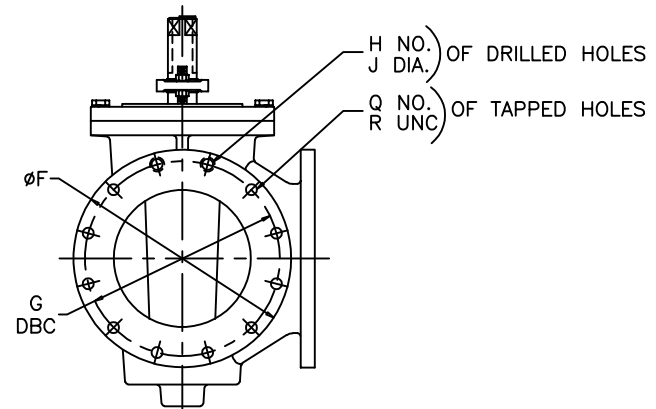
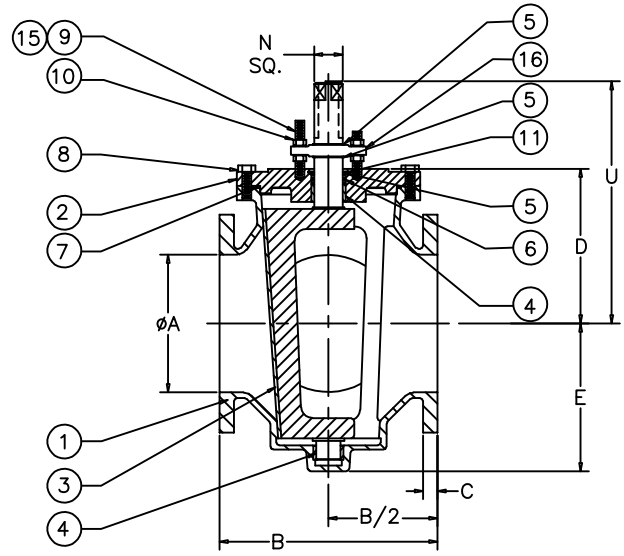
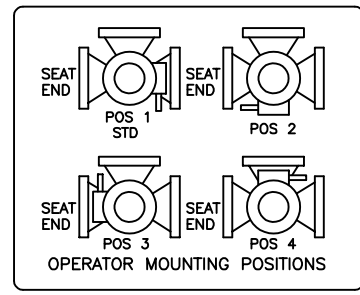
**NOTES:**  
 1. 14" & 16" REQUIRE ADAPTER TO BE LEVER OPERATED.



THREE-WAY VALVE PORT POSITION STYLES

90°	A90	<input type="checkbox"/>	C	<input type="checkbox"/>	D	<input type="checkbox"/>	E	<input type="checkbox"/>	F	<input type="checkbox"/>
180°	A180	<input type="checkbox"/>	G	<input type="checkbox"/>	H	<input type="checkbox"/>	I	<input type="checkbox"/>	J	<input type="checkbox"/>
270°	---	<input type="checkbox"/>	K	<input type="checkbox"/>	L	<input type="checkbox"/>	M	<input type="checkbox"/>	N	<input type="checkbox"/>

PLEASE SEE MILLIKEN MULTIPORT PLUG VALVE CATALOGUE PAGE 5 FOR VALVE PATTERNS OF THE THREE-WAY VALVE PORT POSITIONS



FLANGE 1 & 3  
(OPPOSITE SIDES)

16	1	GLAND	DUCTILE IRON
15	AR	FLATWASHER	<input type="checkbox"/> STEEL <input type="checkbox"/> STN. STEEL
14	1	SEAL RET. RING	BRASS
11	1	RETAINING RING	STEEL
10	4	JAM NUT	<input type="checkbox"/> STEEL <input type="checkbox"/> STN. STEEL
9	2	STUD	<input type="checkbox"/> STEEL <input type="checkbox"/> STN. STEEL
8	AR	H.H. CAP SCREW	<input type="checkbox"/> STEEL <input type="checkbox"/> STN. STEEL
7	1	'O' RING	ELASTOMER AS SPEC
6	2	U CUP SEAL	ELASTOMER AS SPEC
5	3	SNAP RING	SPRING STEEL
4	2	SLEEVE BEARING	STAINLESS STEEL
3	1	PLUG ELASTOMER AS SPEC.	DUCTILE IRON
2	1	CAP	CAST IRON
1	1	BODY	CAST IRON

ITEM	QTY	DESCRIPTION	MATERIAL
<b>PRATT</b>			
BY CR		DATE 12/95	SCALE NONE
CHK'D		DIMENSIONS INCHES	
ISSUE NUM.	DATE	REVISIONS	BY/CHK
1	04/97	ADDED STEM'S SIDE VIEW CHANGED TITLE FROM 12" TO 16"	CR/CR
2	04/13	REVISED DIM TABLE AND STANDARDIZED BOM	AA/AA
3	08/17	ADDED N DIMENSION TO TABLE	AA/AA
4	05/18	ADDED 180 AND 270 TO TABLE, REVISED DIM. TABLE	AM/AM
5	05/18	UPDATED DRAWING	DJK/LF

TITLE: FIG. 604  
 3"-16" THREE-WAY PLUG VALVE WRENCH OPERATED  
 DWG. NO. HP60017