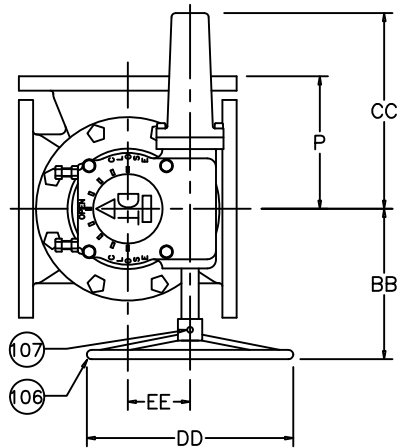


VALVE SIZE	GEAR SIZE	A	B	C	D	E	F	G	H	J	P	Q	R	S	T
3	DT03	3	8.00	0.75	4.96	4.81	7.50	6.00	4	0.75	5.50	-	-	4	-
4	DT21	4	9.88	1.00	6.94	5.94	9.00	7.50	6	0.75	6.50	2	0.63	8	-
6	DT21	6	11.63	1.00	8.06	7.06	11.00	9.50	6	0.88	8.00	2	0.75	8	-
8	DT21	8	13.88	1.13	11.75	10.94	13.50	11.75	4	0.88	9.00	4	0.75	8	-
10	DT21	10	16.75	1.19	11.75	10.94	16.00	14.25	12	1.00	11.00	-	-	12	-
12	DT21	12	19.00	1.25	13.50	12.88	19.00	17.00	12	1.00	11.56	-	-	8	4
14	DT21	14	21.00	1.38	14.38	14.19	21.00	18.75	10	1.13	12.50	2	1.00	8	4
16	DT21	16	23.75	1.44	15.06	14.75	23.50	21.25	16	1.13	15.13	-	-	16	-

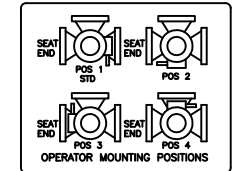


THREE-WAY VALVE PORT POSITION STYLES

180°	A	<input type="checkbox"/>	G	<input type="checkbox"/>	H	<input type="checkbox"/>	I	<input type="checkbox"/>	J	<input type="checkbox"/>
270°	K	<input type="checkbox"/>	L	<input type="checkbox"/>	M	<input type="checkbox"/>	N	<input type="checkbox"/>	-	<input type="checkbox"/>

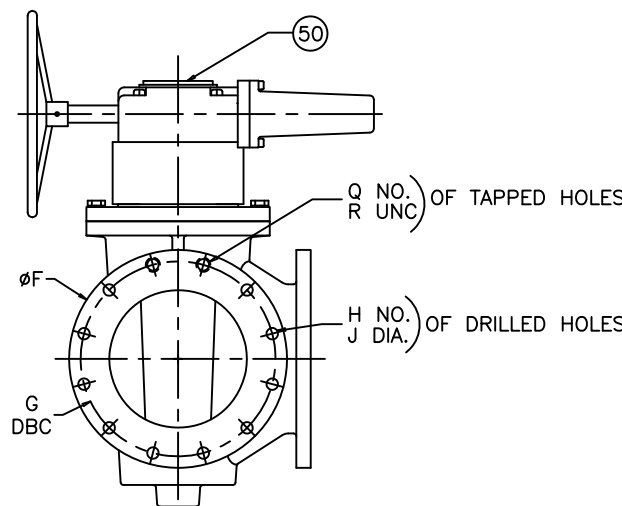
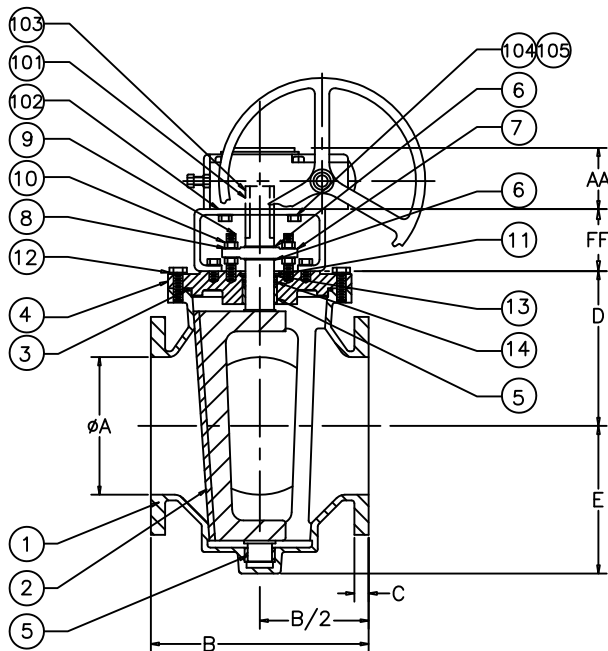
PLEASE SEE MILLIKEN MULTIPOINT PLUG VALVE CATALOGUE PAGE 5 FOR VALVE PATTERNS OF THE THREE-WAY VALVE PORT POSITIONS

GEAR SIZE	AA	BB	CC	DD	EE	FF
DT03	2.59	6.25	5.50	6.00	1.75	6.00
DT21	3.54	9.27	10.96	12.00	3.63	4.00



*ONLY ON 3" VALVE IS BRACKET AND COUPLER USED. ALL THE OTHERS USE ONLY A BRACKET.

107	1	SPRING PIN	STEEL
106	1	HANDWHEEL	DUCTILE IRON
105	AR	LOCKWASHER	STEEL/ZINC
104	AR	CAP SCREW	STEEL/ZINC
*103	1	COUPLING	STEEL
102	1	BRACKET	STEEL
101	1	KEY	STEEL
50	1	DYNATORQUE DT03/DT21 GEAR	
14	2	U CUP SEAL	ELASTOMER AS SPEC.
13	1	SEAL RET. RING	BRASS
12	AR	CAP SCREW	<input type="checkbox"/> STEEL <input type="checkbox"/> STN. STEEL
11	1	RETAINING RING	STEEL
10	4	JAM NUT	<input type="checkbox"/> STEEL <input type="checkbox"/> STN. STEEL
9	2	STUD	<input type="checkbox"/> STEEL <input type="checkbox"/> STN. STEEL
8	4	FLATWASHER	<input type="checkbox"/> STEEL <input type="checkbox"/> STN. STEEL
7	1	GLAND	DUCTILE IRON
6	2	SNAP RING	SPRING STEEL
5	2	BEARING	STAINLESS STEEL
4	1	CAP	CAST IRON
3	1	'O' RING	ELASTOMER AS SPEC.
2	1	PLUG	ELASTOMER AS SPEC. DUCTILE IRON
1	1	BODY	CAST IRON
ITEM	QTY	DESCRIPTION	MATERIAL



FLANGE 1 & 3 (OPPOSITE SIDES)

ISSUE NUM.		PRATT		BY	DATE	SCALE
		MUELLER		CR	08/98	NONE
				CHK'D	DIMENSIONS INCHES	
DATE	REVISIONS	BY	CHK	TITLE:		
1 07/91	ORIGINAL DWG.	CH	CH	3"-16" FIG. 604		
2 08/98	REDRAWN ON CADD	CR	CR	THREE-WAY TAPERED		
3 09/13	ADDED DT03 DIM.	AA	AA	PLUG VALVE W/ DT		
4 10/13	ADDED DIMENSION "FF"	JC	JC	SERIES 180°, 270° GEAR		
5 08/17	UPDATED TITLE	AA	AA			
6 05/18	UPDATED DRAWING	AM	JL			
7 05/18	REVISED DIMENSIONS	DK	LF	DWG. NO. HP60039		
8 09/20	REMOVED 360° OPTION	JCL	JL			