

PRATT®

a MUELLER brand

DEFLECTOR CONES

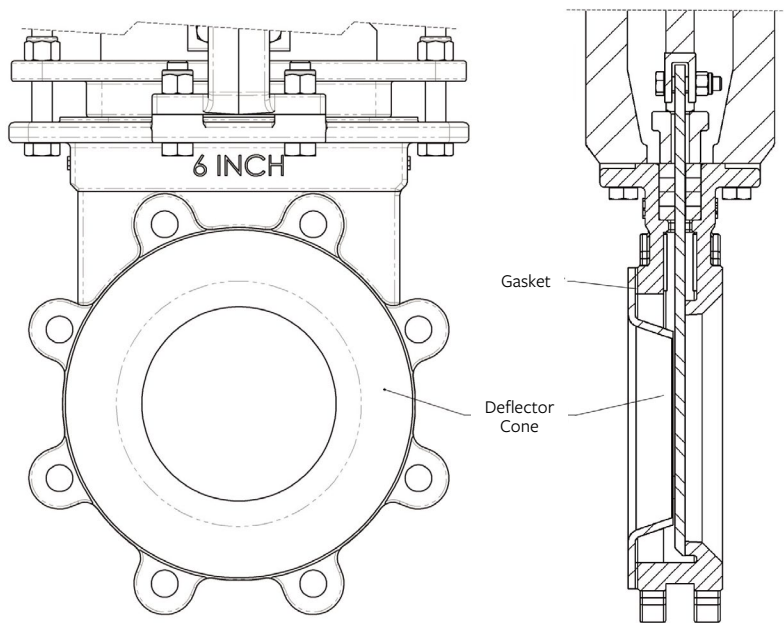
Knife Gate Valves

NOTE

Deflector cones are used to protect the seat and body from wear as well as preventing build up of material on the seat, or from becoming lodged in the valve body chest. Deflector cones come in three material types:

- 316 SS for mildly corrosive and abrasive applications, customizable.
- UHMW for low temperatures, mildly abrasive applications, used as gate wiper.
- Ni-hard for moderately abrasive applications, least expensive.

A rubber gasket is supplied with each deflector cone.



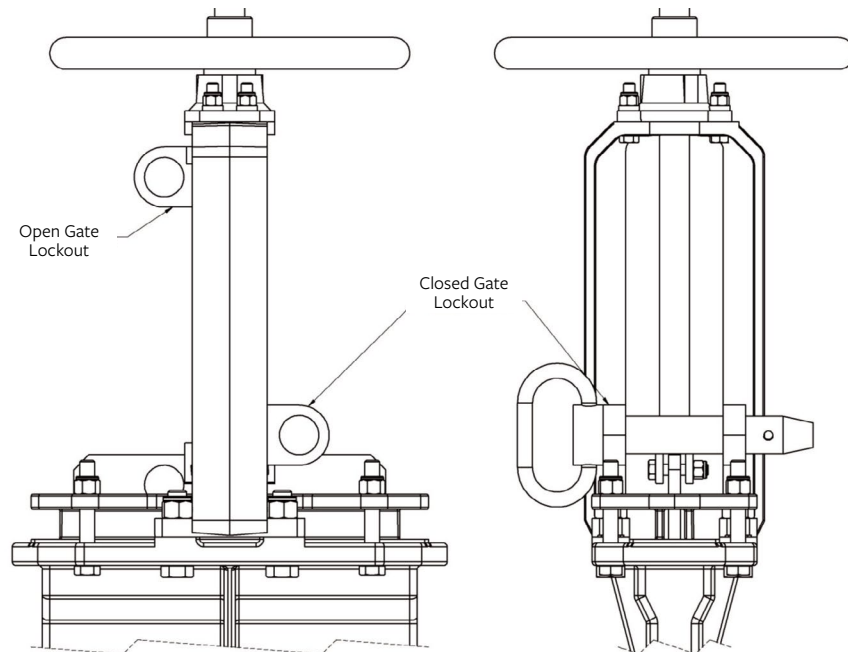
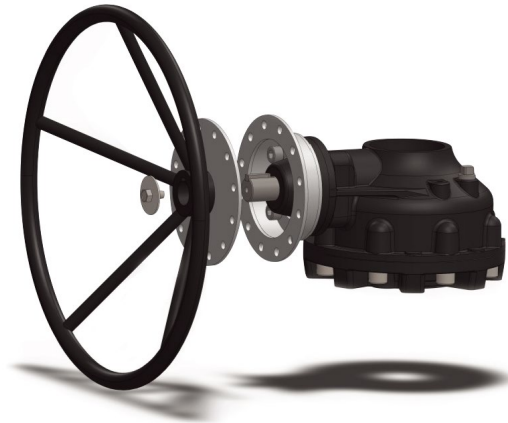
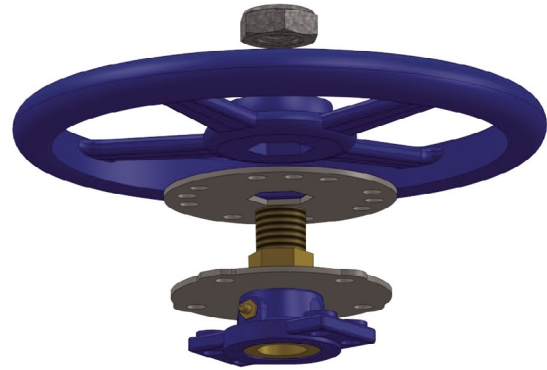
GATE LOCKOUTS

Gate lockout packages are available as open or closed only, or both open and closed.

Lockout packages come in 3 types:

- Yoke lockout, works with either handwheel, cylinder, or bevel gear.
- Handwheel lockout, works only with handwheel.
- Bevel gear lockout, works with all bevel gear operators.

Note: Lockout packages include all brackets, pre-drilled holes, locking pins, chain and a means to attach a lock. Padlock not included.



675 Mitchell Avenue, Woodland, WA 98674, moreinfo@prattvalve.com, P: 1.800.423.1323

Mueller refers to one or more of Mueller Water Products, Inc., a Delaware corporation ("MWP"), and its subsidiaries. MWP and each of its subsidiaries are legally separate and independent entities when providing products and services. MWP does not provide products or services to third parties. MWP and each of its subsidiaries are liable only for their own acts and omissions and not those of each other. MWP brands include Mueller®, Echologics®, Hydro Gate®, Hydro-Guard®, Jones®, MiNet®, Milliken®, Pratt®, Singer®, and U.S. Pipe Valve & Hydrant. Please see www.muellerwpc.com/about to learn more.

Copyright © 2018 Henry Pratt Company, LLC. All Rights Reserved. The trademarks, logos and service marks displayed in this document are the property of Mueller Water Products, Inc., its affiliates or other third parties. Products above marked with a section symbol (§) are subject to patents or patent applications. For details, visit www.mwppat.com. These products are intended for use in potable water applications. Please contact your Mueller Sales or Customer Service Representative concerning any other application(§).