

PRATT®

a **MUELLER** brand

LVC FIGURE 53 DUCTILE IRON RESILIENT SEATED Knife Gate Valve

FEATURES

- Heavy duty cast ductile iron body, packing gland, and yoke for the most rugged service.
- Through bolting on side flange bolts allows easy installation.
- Easily replaceable natural rubber seat provides bi-directional drip tight seal across the gate from 0 to 150 PSI. Also available in EPDM and Buna. See reverse side for temperature limits.
- Seat is flush with the bottom of the port eliminating pockets in the bottom of the valve that may collect material in media such as slurries, pellets or powders.
- Rubber seat has a molded-in steel reinforcement and is bolted in place to prevent shifting out of position by gate movement.
- Machined stainless steel gate provides corrosion resistance and durability.
- Easy conversion from handwheel operator to hydraulic or pneumatic cylinder, bevel gear, chain wheel, electric motor, or fail safe spring cylinder operator using existing cast yoke.
- Enclosed bronze stem nut provides reduced operating torque and is protected from harsh environments.
- Stainless steel stem resists corrosion.
- Full packing seal around gate minimizes the potential for packing leakage.
- MSS SP-81 and AWWA C520 face-to-face and flange dimensions.
- Minimum 4 bolt packing gland to ensure proper gland alignment in all valve sizes.
- Entire valve (inside and outside) is epoxy powder coated to provide corrosion resistance.
- CRN Registered



MUELLER

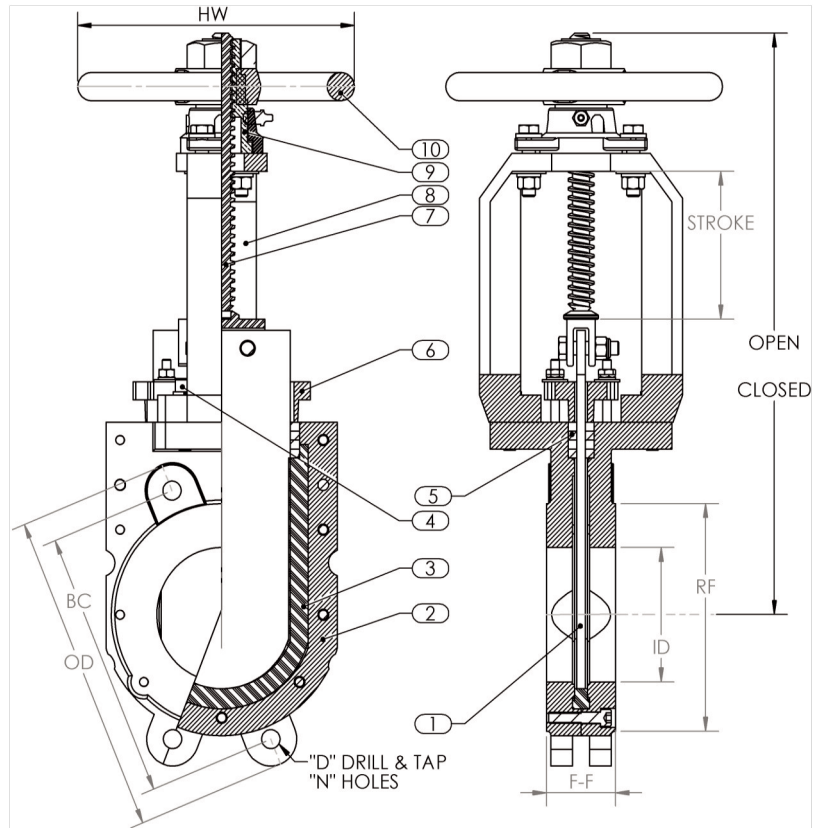
MATERIALS OF CONSTRUCTION

MODEL 53

| | | |
|----|-----------|-----------------|
| 1 | Gate | SS |
| 2 | Body | DI |
| 3 | Seat | Natural Rubber* |
| 4 | Bolts | Stainless |
| 5 | Packing | TLSP** |
| 6 | Gland | DI |
| 7 | Stem | SS |
| 8 | Yoke | DI |
| 9 | Stem Nut | Bronze |
| 10 | Handwheel | DI |

| *MATERIAL | TEMP. LIMITS °F (°C) |
|-------------|------------------------|
| Nat. Rubber | -60 (-51) to 210 (99) |
| EPDM(P) | -65 (-54) to 300 (149) |
| Buna | -35 (-37) to 250 (121) |

**TLSP = TFE Lubricated Synthetic Packing.
Normally supplied with handwheel for manual operation, but can be modified for chain wheel, bevel gear, fail safe spring cylinder, electric motor, hydraulic or pneumatic cylinder operator.



DIMENSIONS (INCHES) AND WEIGHTS

| | | 2 | 3 | 4 | 6 | 8 | 10 | 12 | 14 | 16 | 18 | 20 | 24 |
|---------------------|-------|---------|---------|---------|---------|---------|--------|---------|--------|--------|----------|----------|----------|
| Face-to-Face | F-F | 1-7/8 | 2 | 2 | 2-1/4 | 2-3/4 | 2-3/4 | 3 | 3 | 3-1/2 | 3-1/2 | 4-1/2 | 4-1/2 |
| Flange OD | OD | 6 | 7-1/2 | 9 | 11 | 13-1/2 | 16 | 19 | 21 | 23-1/2 | 25 | 27-1/2 | 32 |
| Bolt Circle | BC | 4-3/4 | 6 | 7-1/2 | 9-1/2 | 11-3/4 | 14-1/4 | 17 | 18-3/4 | 21-1/4 | 22-3/4 | 25 | 29-1/2 |
| Flanged Raised Face | RF | 4-1/8 | 5 | 6-3/16 | 8-1/2 | 10-5/8 | 12-3/4 | 15 | 17 | 18-1/2 | 21 | 23 | 27-1/4 |
| Inside Diameter | ID | 2 | 3-1/8 | 4 | 6 | 8 | 10 | 12 | 13-3/4 | 15-3/4 | 17-3/4 | 19-11/16 | 23-5/8 |
| No. of Bolt Holes | N | 4 | 4 | 8 | 8 | 8 | 12 | 12 | 12 | 16 | 16 | 20 | 20 |
| Hole D&T Size | D | 5/8"-11 | 5/8"-11 | 5/8"-11 | 3/4"-10 | 3/4"-10 | 7/8"-9 | 7/8"-9 | 1"-8 | 1"-8 | 1-1/8"-7 | 1-1/8"-7 | 1-1/4"-7 |
| C/L to Top-Closed | H-CLS | 13 | 14-3/4 | 16-9/16 | 20-1/2 | 24-1/4 | 29 | 34-5/8" | 39 | 43 | 47-1/2 | 51-7/8 | 60 |
| C/L to Top-Open | H-OPN | 15 | 17-3/4 | 20-9/16 | 26-1/2 | 32-1/2 | 39-1/4 | 47 | 54-1/4 | 59 | 65-1/2 | 71-13/16 | 83-7/8 |
| Handwheel Dia. | H/W | 8 | 8 | 8 | 12 | 12 | 16 | 20 | 24 | 24 | 24 | 24 | 24 |
| Weight - lbs | WT | 24 | 34 | 40 | 84 | 116 | 170 | 258 | 308 | 418 | 516 | 702 | 932 |
| Stroke | S | 2 | 3 | 4 | 6 | 8-1/4 | 10-1/4 | 12-3/8 | 14-1/4 | 16 | 18 | 19-15/16 | 23-7/8 |

675 Mitchell Avenue, Woodland, WA 98674, moreinfo@prattvalve.com, P: 800.423.1323

Mueller refers to one or more of Mueller Water Products, Inc., a Delaware corporation ("MWP"), and its subsidiaries. MWP and each of its subsidiaries are legally separate and independent entities when providing products and services. MWP does not provide products or services to third parties. MWP and each of its subsidiaries are liable only for their own acts and omissions and not those of each other. MWP brands include Mueller®, Echologies®, Hydro Gate®, Hydro-Guard®, Jones®, MiNet®, Milliken®, Pratt®, Singer®, and U.S. Pipe Valve & Hydrant. Please see www.muellerwp.com/about to learn more.

Copyright © 2018 Henry Pratt Company, LLC. All Rights Reserved. The trademarks, logos and service marks displayed in this document are the property of Mueller Water Products, Inc., its affiliates or other third parties. Products above marked with a section symbol (§) are subject to patents or patent applications. For details, visit www.mvppat.com. These products are intended for use in potable water applications. Please contact your Mueller Sales or Customer Service Representative concerning any other application(s).