

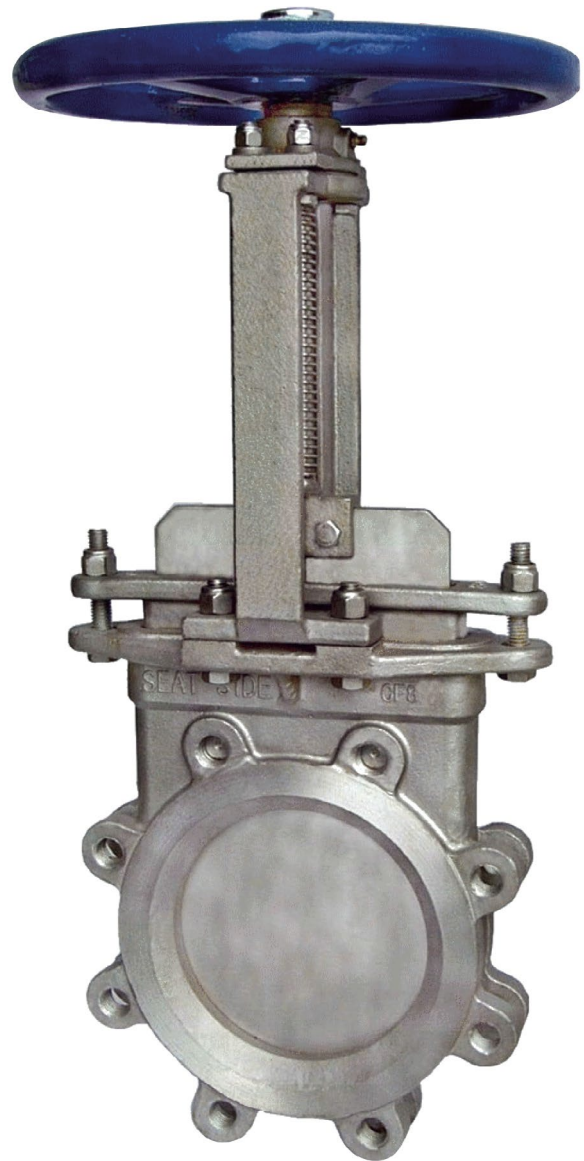
# PRATT®

a **MUELLER** brand

## LVC FIGURE 93 STAINLESS STEEL METAL SEATED Knife Gate Valve

### FEATURES

- Cast stainless steel body, packing gland, and yoke.
- Heavy duty body designed to resist deflection from line loads and internal pressure.
- Body cavity, seat configuration and beveled gate design provides shut-off capability in thick media such as pulp stock and slurries, or solid media such as pellets and powders.
- Heavy duty cast stainless steel yoke will not bend or twist under extreme loads.
- Easy conversion from handwheel operator to hydraulic or pneumatic cylinder, bevel gear, chainwheel, electric motor, or fail safe spring cylinder operator using existing cast yoke.
- Enclosed bronze stem bushing provides reduced operating torque and protection of the stem bushing in harsh environments.
- Hard faced seat available to prevent galling in high cycle and/or high end pressure or abrasive applications.
- Factory installed V-Port inserts available for metering or throttling service.
- O-Ring resilient seat available.
- Precision machined stainless steel gate provides superior seating capability.
- Gate designed to withstand full 150 PSI rated pressure as required by MSS-SP-81.
- Stainless steel stem resists corrosion.
- Various wiper materials available in packing to provide gate support and stabilize packing seal.
- Standard TFE lubricated synthetic packing (TLSP) rated to 500° F and pH range of 3-11.
- Full port ID.
- MSS SP-81 Stainless Steel, Bonnetless, Flanged Knife Gate Valves.
- AWWA C520-10 Knife Gate Valves, 2in.—96in.



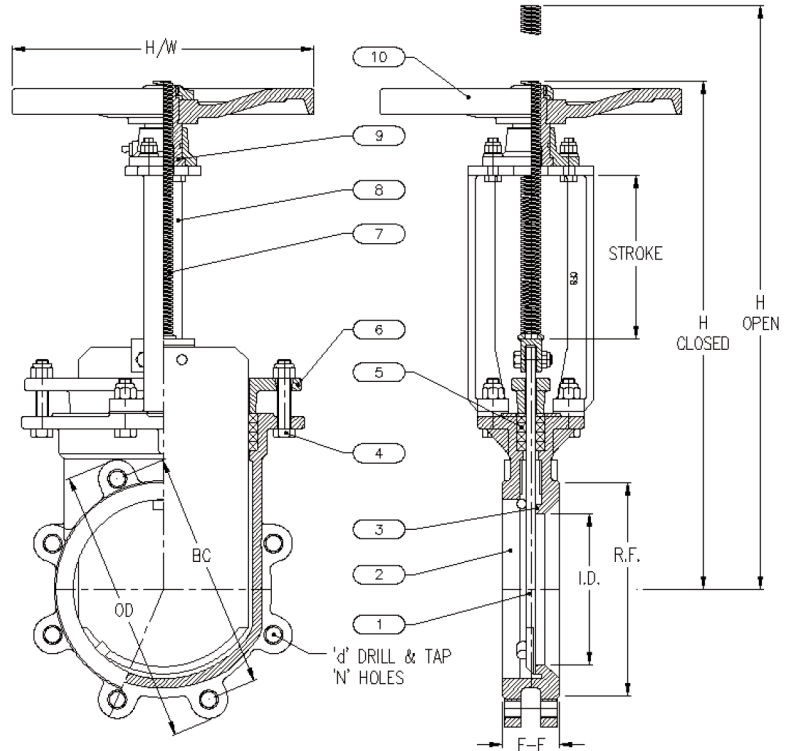
**MUELLER**

## MATERIALS OF CONSTRUCTION

### MODEL 93

1	Gate	SS
2	Body	SS
3	Seat	SS
4	Bolts	SS
5	Packing	TLSP*
6	Gland	SS
7	Stem	SS
8	Yoke	SS
9	Stem Nut	Bronze
10	Handwheel	DI

\*\*TLSP = TFE Lubricated Synthetic Packing.  
 Stocked in 304 and 316 SS. 317 SS Available.  
 Normally supplied with handwheel for manual operation, but can be modified for chainwheel, bevel gear, fail safe spring cylinder, electric motor, hydraulic or pneumatic cylinder operator.



## DIMENSIONS (INCHES) AND WEIGHTS

		2	3	4	6	8	10	12	14	16	18	20	24
Face-to Face	F-F	1-7/8	2	2	2-1/4	2-3/4	2-3/4	3	3	3-1/2	3-1/2	4-1/2	4-1/2
Flange OD	OD	6	7-1/2	9	11	13-1/2	16	19	21	23-1/2	25	27-1/2	32
Bolt Circle	BC	4-3/4	6	7-1/2	9-1/2	11-3/4	14-1/4	17	18-3/4	21-1/4	22-3/4	25	29-1/2
Flanged Raised Face	RF	3-5/8	5	6-3/16	8-1/2	10-5/8	12-3/4	15	16-1/4	18-1/2	21	23	27-1/4
Inside Diameter	ID	2	3	4	6	8	10	12	13-1/4	15-1/4	17-1/4	19-1/4	23-1/4
No. of Bolt Holes	N	4	4	8	8	8	12	12	12	16	16	20	20
Hole D&T Size	D	5/8"-11	5/8"-11	5/8"-11	3/4"-10	3/4"-10	7/8"-9	7/8"-9	1"-8	1"-8	1-1/8"-7	1-1/8"-7	1-1/4"-7
C/L to Top-Closed	H-CLS	14-5/8	15-1/16	16-11/16	20-3/16	23-7/16	27-3/4	31-9/16	37-3/4	43-1/8	46-3/8	50-1/8	55-11/16
C/L to Top-Open	H-OPN	17-1/8	18-9/16	21-3/16	26-11/16	31-15/16	38-1/4	44-1/16	51-3/4	58-7/8	64-3/8	69-3/4	79-7/8
Handwheel Dia.	H/W	8	8	8	12	12	16	16	20	20	20	20	20
Weight - lbs	WT	24	28	36	54	76	124	174	234	330	376	620	804
Stroke	S	2-1/2	3-1/2	4-1/2	6-1/2	8-1/2	10-1/2	12-1/2	13-7/8	16	18	20-1/8	24-3/16

675 Mitchell Avenue, Woodland, WA 98674, [moreinfo@prattvalve.com](mailto:moreinfo@prattvalve.com), P: 800.423.1323

Mueller refers to one or more of Mueller Water Products, Inc., a Delaware corporation ("MWP"), and its subsidiaries. MWP and each of subsidiaries are legally separate and independent entities when providing products and services. MWP does not provide products or services to third parties. MWP and each of its subsidiaries are liable only for their own acts and omissions and not those of each other. MWP brands include Mueller®, Echologics®, Hydro Gate®, Hydro-Guard®, Jones®, MiNet®, Milliken®, Pratt®, Singer®, and U.S. Pipe Valve & Hydrant. Please see [www.muellerwp.com/about](http://www.muellerwp.com/about) to learn more.

Copyright © 2018 Henry Pratt Company, LLC. All Rights Reserved. The trademarks, logos and service marks displayed in this document are the property of Mueller Water Products, Inc., its affiliates or other third parties. Products above marked with a section symbol (§) are subject to patents or patent applications. For details, visit [www.mwppat.com](http://www.mwppat.com). These products are intended for use in potable water applications. Please contact your Mueller Sales or Customer Service Representative concerning any other application(s).

