

LVC FIGURE 93 LEVER OPERATOR Knife Gate Valve

FEATURES

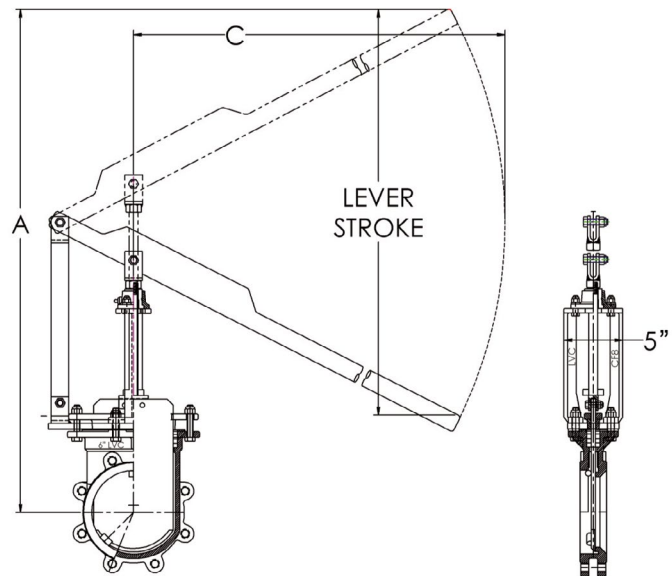
- Lever operators can be either factory installed or supplied in kit form for field installation.
- Lever operators are not recommended on metal seated valves above 8”.
- O-Ring resilient seal in seat available.

Note: Lever operators are not recommended on Figures 77, 53 or 65 resilient seated valves.



LEVER DIMENSIONS (INCHES)

VALVE SIZE	A	LEVER STROKE	C
2	26	18	19
3	31	23	25
4	36	27	31
6	46	34	37
8	52	38	40



675 Mitchell Avenue, Woodland, WA 98674, moreinfo@prattvalve.com, **P: 800.423.1323**

Mueller refers to one or more of Mueller Water Products, Inc., a Delaware corporation ("MWP"), and its subsidiaries. MWP and each of subsidiaries are legally separate and independent entities when providing products and services. MWP does not provide products or services to third parties. MWP and each of its subsidiaries are liable only for their own acts and omissions and not those of each other. MWP brands include Mueller®, Echologics®, Hydro Gate®, Hydro-Guard®, Jones®, MiNet®, Milliken®, Pratt®, Singer®, and U.S. Pipe Valve & Hydrant. Please see www.muellerwp.com/about to learn more.

Copyright © 2018 Henry Pratt Company, LLC. All Rights Reserved. The trademarks, logos and service marks displayed in this document are the property of Mueller Water Products, Inc., its affiliates or other third parties. Products above marked with a section symbol (§) are subject to patents or patent applications. For details, visit www.mwppat.com. These products are intended for use in potable water applications. Please contact your Mueller Sales or Customer Service Representative concerning any other application(s).