

# PRATT®

a **MUELLER** brand

## LVC FIGURE F93 FABRICATED LARGE DIAMETER Knife Gate Valve

### FEATURES

- Fabricated heavy duty carbon steel body, flanges, packing gland, and yoke.
- All stainless steel construction available.
- Fabricated stainless steel liner, seat and raised face. Available in any weldable alloy.
- Precision machined stainless steel gate for superior seating capability. Available in other alloys. Round or Square bottom gates available.
- Stainless steel metal to metal seat.
- O-Ring uni-directional resilient seat available.
- Heavy duty designed body to resist deflection from line loads and internal pressure.
- Standard valves designed for 50 or 150 PSI CWP rating. Custom pressure ratings also available.
- Seat configuration and beveled gate provides shut off capability in thick media such as pulp stock, slurries, and with solid media like pellets or powders.
- Heavy fabricated steel yoke will not bend or twist under extreme loads.
- Easy conversion from handwheel operator to hydraulic or pneumatic cylinder, bevel gear, chainwheel, electric motor, or fail safe spring operator.
- Enclosed bronze stem nut provides reduced operating torque and protects the stem bushing in harsh environments.
- Standard TFE lubricated synthetic packing (TLSP).
- Stainless steel stem provides corrosion resistance.
- Sizes include 30", 36", 42", 48", 54", 60", 66", 72", 84", 90", 96" and larger.
- Bonneted (Figure 193) versions are also available.
- Designed in accordance with MSS SP-81 Stainless Steel, Bonnetless, Flanged Knife Gate Valves and AWWA C520 Knife Gate Valves, 2" – 96".



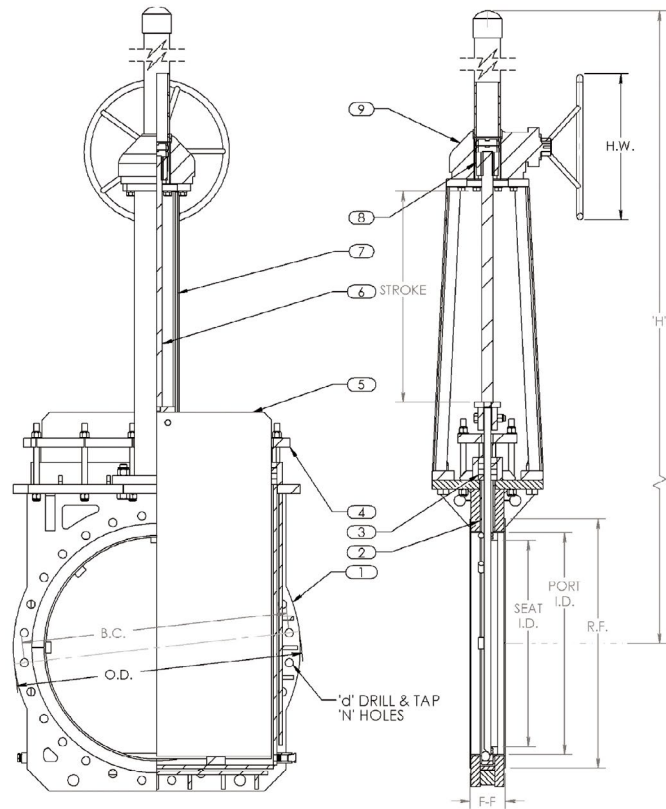
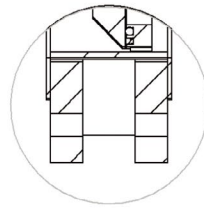
**MUELLER**

## MATERIALS OF CONSTRUCTION

MATERIALS CODE	W44 / W66	A44 / A66	A77
Body Liner, Seat & RF	304 / 316	304 / 316	317
Flanges, Ext. Trim	Steel	304 / 316	317
Gate	304 / 316	304 / 316	317
Packing Gland	Steel	304 / 316	317
Packing Bolting	304	304	304
Yoke	Steel	304 / 316	317
Stem & Clevis	304	304	304
Stem Nut	Bronze	Bronze	Bronze
Packing	TLSP	TLSP	TLSP

### MODEL F93

1	Body
2	Liner, Seat & RF
3	Packing
4	Gland
5	Gate
6	Stem
7	Yoke
8	Stem Nut
9	Operator



## DIMENSIONS (INCHES), SQUARE BOTTOM

	SIZE	30	30	36	36	42	48	54	60
Pressure Rating		50psi	150psi	50psi	150psi	50psi	50psi	50psi	50psi
Face-to-Face	F-F	4-5/8	5	4-5/8	5-3/4	5-5/8	6	7	7
Flange OD	OD	38-3/4	38-3/4	46	46	53	59-1/2	66-1/4	73
Bolt Circle	BC	36	36	42-3/4	42-3/4	49-1/2	56	62-3/4	69-1/4
Flange Raised Face	RF	33-3/4	33-3/4	40-1/4	40-1/4	47	53-3/4	59-1/2	66
Inside Diameter	ID	28	28	33-1/2	33-1/2	39-1/8	46-1/8	53-1/2	58
No. of Bolt Holes	N	28	28	32	32	36	44	44	52
Hole D&T Size	D	1-1/4"-7	1-1/4"-7	1-1/2"-6	1-1/2"-6	1-1/2"-6	1-1/2"-6	1-3/4"-5	1-3/4"-5
C/L to Top-Closed	H-CLS	100	100	113	113	128	147	172-1/2	184-1/2
Handwheel Dia.	H/W	20	20	36	36	36	36	36	36
Stroke	S	29	29	35	35	40-5/8	47-1/4	55	59

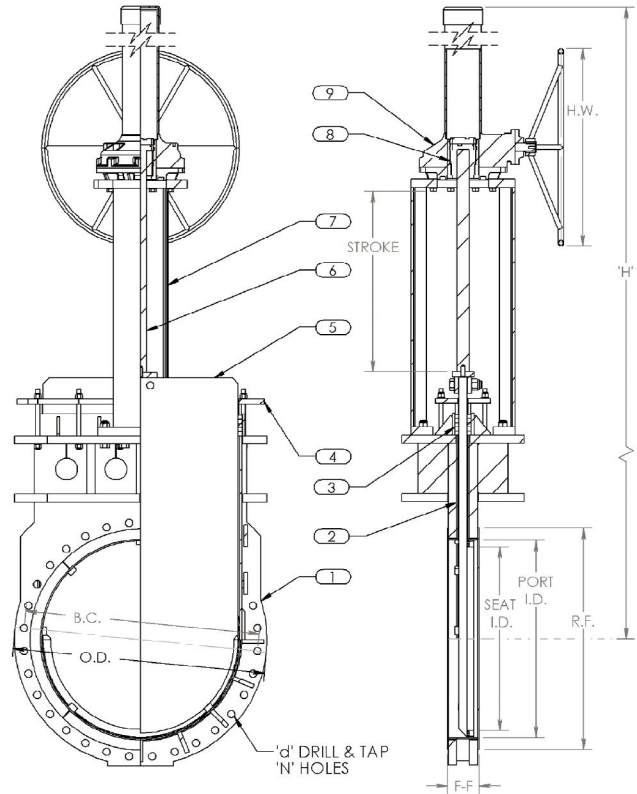
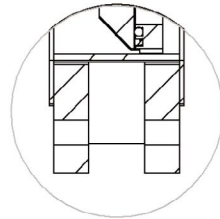
**MUELLER**

## MATERIALS OF CONSTRUCTION

MATERIALS CODE	W44 / W66	A44 / A66	A77
Body Liner, Seat & RF	304 / 316	304 / 316	317
Flanges, Ext. Trim	Steel	304 / 316	317
Gate	304 / 316	304 / 316	317
Packing Gland	Steel	304 / 316	317
Packing Bolting	304	304	304
Yoke	Steel	304 / 316	317
Stem & Clevis	304	304	304
Stem Nut	Bronze	Bronze	Bronze
Packing	TLSP	TLSP	TLSP

### MODEL F93

1	Body
2	Liner, Seat & RF
3	Packing
4	Gland
5	Gate
6	Stem
7	Yoke
8	Stem Nut
9	Operator



## DIMENSIONS (INCHES), ROUND BOTTOM

	SIZE	30	30	36	36	42
Pressure Rating		50psi	150psi	50psi	150psi	50psi
Face-to-Face	F-F	4-5/8	5	4-5/8	5-3/4	5-5/8
Flange OD	OD	38-3/4	38-3/4	46	46	53
Bolt Circle	BC	36	36	42-3/4	42-3/4	49-1/2
Flange Raised Face	RF	33-3/4	33-3/4	40-1/4	40-1/4	47
Inside Diameter	ID	28	28	33-1/2	33-1/2	39-1/8
No. of Bolt Holes	N	28	28	32	32	36
Hole D&T Size	D	1-1/4"-7	1-1/4"-7	1-1/2"-6	1-1/2"-6	1-1/2"-6
C/L to Top-Closed	H-CLS	108-3/8	108-3/8	122	122	140
Handwheel Dia.	H/W	20	20	36	36	36
Stroke	S	29	29	35	35	40-5/8

675 Mitchell Avenue, Woodland, WA 98674, [moreinfo@prattvalve.com](mailto:moreinfo@prattvalve.com), P: 800.423.1323

Mueller refers to one or more of Mueller Water Products, Inc., a Delaware corporation ("MWP"), and its subsidiaries. MWP and each of its subsidiaries are legally separate and independent entities when providing products and services. MWP does not provide products or services to third parties. MWP and each of its subsidiaries are liable only for their own acts and omissions and not those of each other. MWP brands include Mueller®, Echologics®, Hydro Gate®, Hydro-Guard®, Jones®, Mi.Net®, Milliken®, Pratt®, Singer®, and U.S. Pipe Valve & Hydrant. Please see [www.muellerwp.com/about](http://www.muellerwp.com/about) to learn more.

Copyright © 2018 Henry Pratt Company, LLC. All Rights Reserved. The trademarks, logos and service marks displayed in this document are the property of Mueller Water Products, Inc., its affiliates or other third parties. Products above marked with a section symbol (§) are subject to patents or patent applications. For details, visit [www.mwppat.com](http://www.mwppat.com). These products are intended for use in potable water applications. Please contact your Mueller Sales or Customer Service Representative concerning any other application(s).

