

PRATT®

a **MUELLER** brand

PK POSI-LOC Disc Locking Device

The Pk Posi-Loc positively mechanically locks a butterfly valve disc in the closed position.

The device consists of two locking cams which extend into the valve body and internally lock the butterfly disc via an external handwheel.

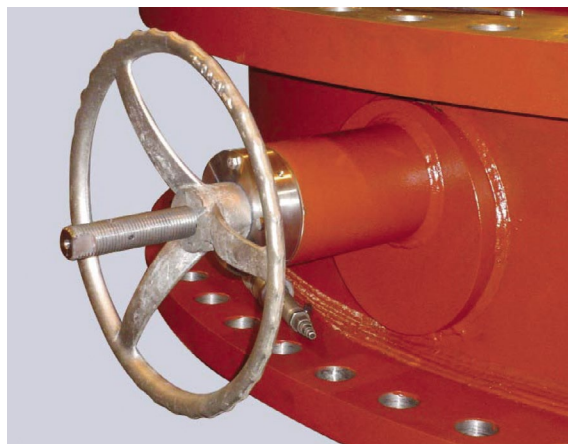
The valve body is specially modified, incorporating seals for the locking cams. There is one unit on each side of the valve body, 180 degrees apart, to ensure the valve disc cannot rotate open... even if the pins that hold the shaft to the disc were to fail.

FEATURES

- Positive Lock
- Stainless Steel Wetted Parts
- Externally Engaged

BENEFITS

- Allows personnel to enter pipeline for maintenance (customer to verify with local code authorities).
- Reduces plant downtime for maintenance procedures.
- Long term reliability, does not corrode.
- Do not have to enter pipeline to engage.

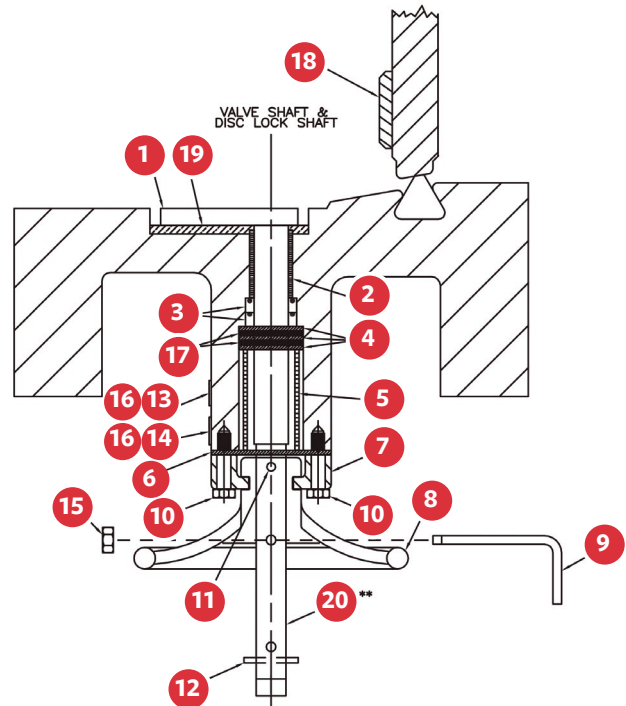


MATERIALS OF CONSTRUCTION

ITEM NO.	DESCRIPTION	MATERIAL	QTY
1	Disc Lock Head	Stainless Steel	2
2	Bearings	Duralon Teflon Lined Fiberglass Backed	2
3	Polypak Seals*	Rubber BUNA-N	4
4	Retaining Plates	Stainless Steel	6
5	Bearings	Duralon Teflon Lined Fiberglass Backed	2
6	Retaining Plate	Stainless Steel	2
7	Hand Wheel Collar	Stainless Steel	2
8	Hand Wheel	Cast Aluminum	2
9	Pin	Stainless Steel	2
10	Cap Screws	Stainless Steel	8
11	Set Screw	Stainless Steel	2
12	Spring Pin	Stainless Steel	2
13	Instruction Tag	Aluminum	2
14	Warning Tag	Aluminum	2
15	Hex Nut	Stainless Steel	2
16	Machine Screw	Stainless Steel	16
17	Wave Spring	Stainless Steel	12
18	Lock Strike Plate	Stainless Steel	2
19	Disc Lock Plate	Stainless Steel	2
20	Screw Shaft	Stainless Steel*	2

* Pressure boundary item

** Various types of stainless steel are available as required based on the corrosiveness of the fluid being conveyed. However, the holding capacity of the locking device in closed position is typically to hold against system pressure only. The device can be designed to withstand actuator torque and system pressure, as an option.



401 S. Highland Ave., Aurora, IL 60506, moreinfo@prattvalve.com, **P: 1.800.423.1323**

For more information about us or to view our full line of water products, please visit www.prattvalve.com or call Pratt customer service at 1.800.423.1323.

Mueller refers to one or more of Mueller Water Products, Inc., a Delaware corporation ("MWP"), and its subsidiaries. MWP and each of its subsidiaries are legally separate and independent entities when providing products and services. MWP does not provide products or services to third parties. MWP and each of its subsidiaries are liable only for their own acts and omissions and not those of each other. MWP brands include Mueller®, Echologies®, Hydro Gate®, Hydro-Guard®, Jones®, Mi.Net®, Milliken®, Pratt®, Singer®, and U.S. Pipe Valve & Hydrant. Please see www.muellerwp.com/about to learn more.

Copyright © 2018 Henry Pratt Company, LLC. All Rights Reserved. The trademarks, logos and service marks displayed in this document are the property of Mueller Water Products, Inc., its affiliates or other third parties. Products above marked with a section symbol (s) are subject to patents or patent applications. For details, visit www.prattvalve.com. These products are intended for use in potable water applications. Please contact your Mueller Sales or Customer Service Representative concerning any other application(s).