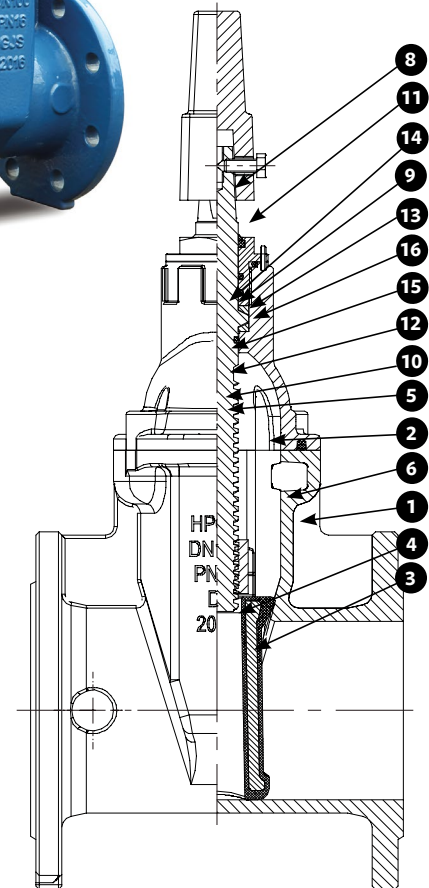
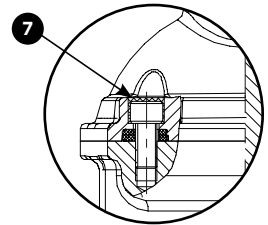


## VÁLVULA DE COMPUERTA DE CIERRE ELÁSTICO EN588-1 SERIE 3

### Hoja de Datos Internacional

#### CARACTERÍSTICAS DEL PRODUCTO

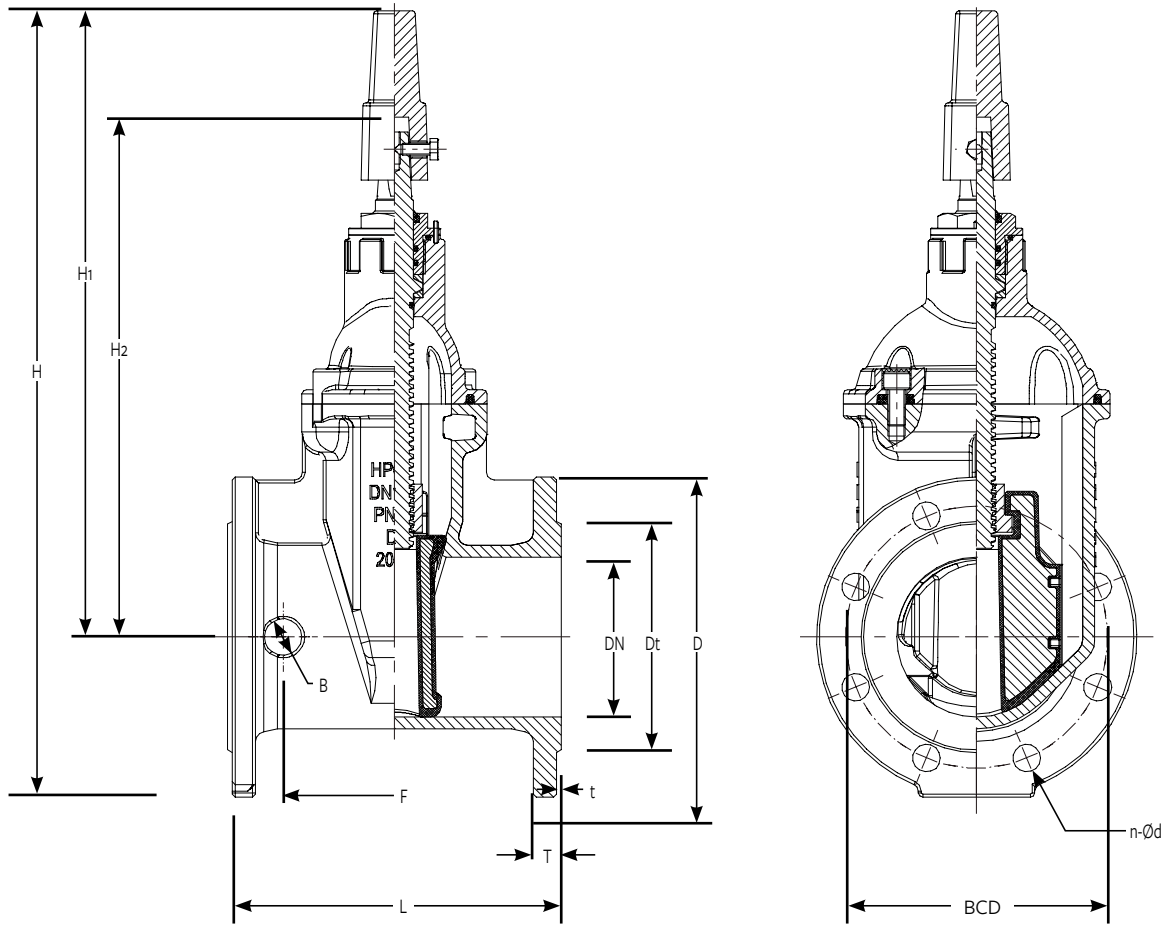
- Vástago no ascendente (NRS, por sus siglas en inglés).
- Cumple con la norma EN1074:2000 1 y 2 tipo A.
- Tuerca de operación (volante opcional).
- DN50 - DN300.
- Cuerpo y bonete completamente de hierro dúctil.
- Revestimiento de epoxi azul adherido por fusión, 250 µ nominales de espesor de película seca (DFT, por sus siglas en inglés)
- Arandela antifricción sobre y bajo el collarín de empuje.
- Cuña de hierro dúctil, simétrica y completamente encapsulada con caucho moldeado; sin hierro expuesto.
- Garantía limitada de 10 años.
- Presión de trabajo de 16 bar/PN16.
- Tipo de conexión: Perforación de extremo con brida PN16 (EN1092-2:1997); PN10 también disponible, tamaños DN200 - DN300.



#### LISTA DE PIEZAS

| ID | NOMBRE DE LA PIEZA      | CANT. | MATERIAL                        | NORMA            |
|----|-------------------------|-------|---------------------------------|------------------|
| 1  | Cuerpo                  | 1     | Hierro Dúctil EN-GJS-500-7      | EN1563:2011      |
| 2  | Bonete                  | 1     | Hierro Dúctil EN-GJS-500-7      | EN1563:2011      |
| 3  | Disco                   | 1     | Hierro Dúctil/EPDM EN-GJS-500-7 | EN1563:2011      |
| 4  | Tuerca del Vástago      | 1     | Bronce de Aluminio CC331G       | EN1982:2008      |
| 5  | Vástago                 | 1     | Acero Inoxidable 1.4057         | EN10088-1:2005   |
| 6  | Empaquetadura           | 1     | EPDM                            | WA, EN681-1:1996 |
| 7  | Perno de Bonete         | 4     | Acero Inoxidable 304            | GB/T 70.1-2008   |
| 8  | Sombbrero del Vástago   | 1     | Hierro Dúctil EN-GJS-500-7      | EN1563:2011      |
| 9  | Casquillo Prensaestopas | 1     | Bronce CW617N                   | EN12164:2011     |
| 10 | Junta O-Ring            | 1     | EPDM                            | WA, EN681-1:1996 |
| 11 | Tornillo de Cabeza      | 1     | Acero Inoxidable 304            | GB/T 5783-2000   |
| 12 | Collarín de Empuje      | 2     | Bronce CW617N                   | EN12164:2011     |
| 13 | Pasador Acanalado       | 1     | Acero Inoxidable 316            | -                |
| 14 | Anillo de Leva          | 1     | EPDM                            | WA, EN681-1:1996 |
| 15 | Junta O-Ring            | 2     | EPDM                            | -                |
| 16 | Junta O-Ring            | 1     | EPDM                            | -                |

# DIMENSIONES



## DIMENSIONES - MM

| DN  | PN   | PESO - Kg | F   | B  | H2  | H1  | H    | t | T  | n-Ød   | BCD | Dt  | D   | L   | VUELTAS PARA CERRAR |
|-----|------|-----------|-----|----|-----|-----|------|---|----|--------|-----|-----|-----|-----|---------------------|
| 50  | PN16 | 13        | 102 | 25 | 263 | 346 | 429  | 3 | 19 | 4-Ø19  | 125 | 99  | 165 | 178 | 7                   |
| 65  | PN16 | 16        | 98  | 38 | 293 | 376 | 469  | 3 | 19 | 4-Ø19  | 145 | 118 | 185 | 190 | 9                   |
| 80  | PN16 | 19        | 111 | 38 | 323 | 406 | 506  | 3 | 19 | 4-Ø19  | 160 | 132 | 200 | 203 | 12                  |
| 100 | PN16 | 23        | 153 | 25 | 347 | 430 | 540  | 3 | 19 | 8-Ø19  | 180 | 155 | 220 | 229 | 14                  |
| 125 | PN16 | 34        | 167 | 38 | 421 | 494 | 619  | 3 | 19 | 8-Ø20  | 210 | 183 | 250 | 254 | 15                  |
| 150 | PN16 | 41        | 167 | 38 | 440 | 525 | 667  | 3 | 19 | 8-Ø23  | 240 | 211 | 285 | 267 | 17                  |
| 200 | PN10 | 64        | 192 | 45 | 520 | 605 | 775  | 3 | 20 | 8-Ø23  | 295 | 264 | 340 | 292 | 18                  |
| 200 | PN16 | 64        | 192 | 45 | 520 | 605 | 775  | 3 | 20 | 12-Ø23 | 295 | 264 | 340 | 292 | 18                  |
| 250 | PN10 | 109       | 213 | 54 | 616 | 712 | 914  | 3 | 22 | 12-Ø23 | 350 | 314 | 405 | 330 | 22                  |
| 250 | PN16 | 109       | 213 | 54 | 616 | 712 | 914  | 3 | 22 | 12-Ø28 | 355 | 319 | 405 | 330 | 22                  |
| 300 | PN10 | 164       | 192 | 45 | 520 | 605 | 775  | 4 | 20 | 12-Ø23 | 400 | 362 | 460 | 356 | 25                  |
| 300 | PN16 | 164       | 239 | 54 | 707 | 803 | 1031 | 4 | 25 | 12-Ø28 | 410 | 367 | 460 | 356 | 25                  |

Cierre estándar hacia la derecha (Apertura: Izquierda). Cierre hacia la izquierda disponible para pedidos especiales.

6125 Preservation Dr., Suite 200, Chattanooga, TN 37416 EE. UU., [international@muellercompany.com](mailto:international@muellercompany.com), P: 1.800.423.1323

Mueller refers to one or more of Mueller Water Products, Inc., a Delaware corporation ("MWP"), and its subsidiaries. MWP and each of subsidiaries are legally separate and independent entities when providing products and services. MWP does not provide products or services to third parties. MWP and each of its subsidiaries are liable only for their own acts and omissions and not those of each other. MWP brands include Mueller®, Echologics®, Hydro Gate®, Hydro-Guard®, Jones®, MiNet®, Milliken®, Pratt®, Singer®, and U.S. Pipe Valve & Hydrant. Please see [www.muellerwp.com/about](http://www.muellerwp.com/about) to learn more.

Copyright © 2018 Henry Pratt Company, LLC. All Rights Reserved. The trademarks, logos and service marks displayed in this document are the property of Mueller Water Products, Inc., its affiliates or other third parties. Products above marked with a section symbol (§) are subject to patents or patent applications. For details, visit [www.mwppat.com](http://www.mwppat.com). These products are intended for use in potable water applications. Please contact your Mueller Sales or Customer Service Representative concerning any other application(s).

