

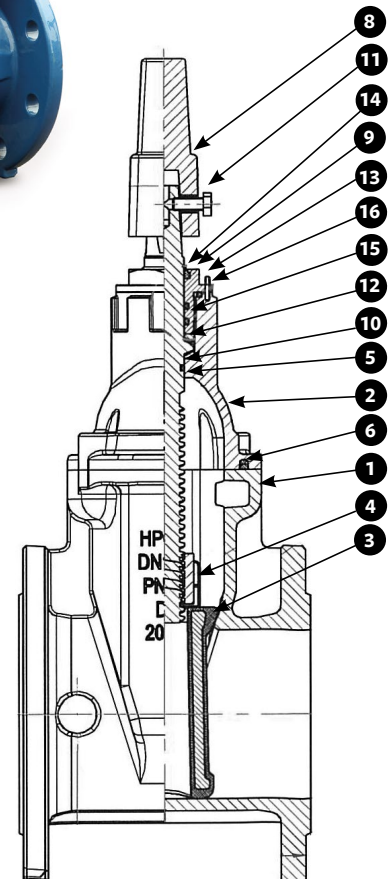
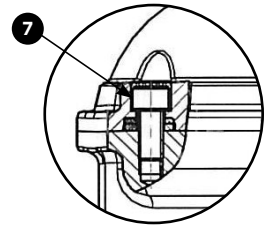
EN588-1 SERIES 14 RESILIENT Wedge Gate Valve

PRODUCT FEATURES

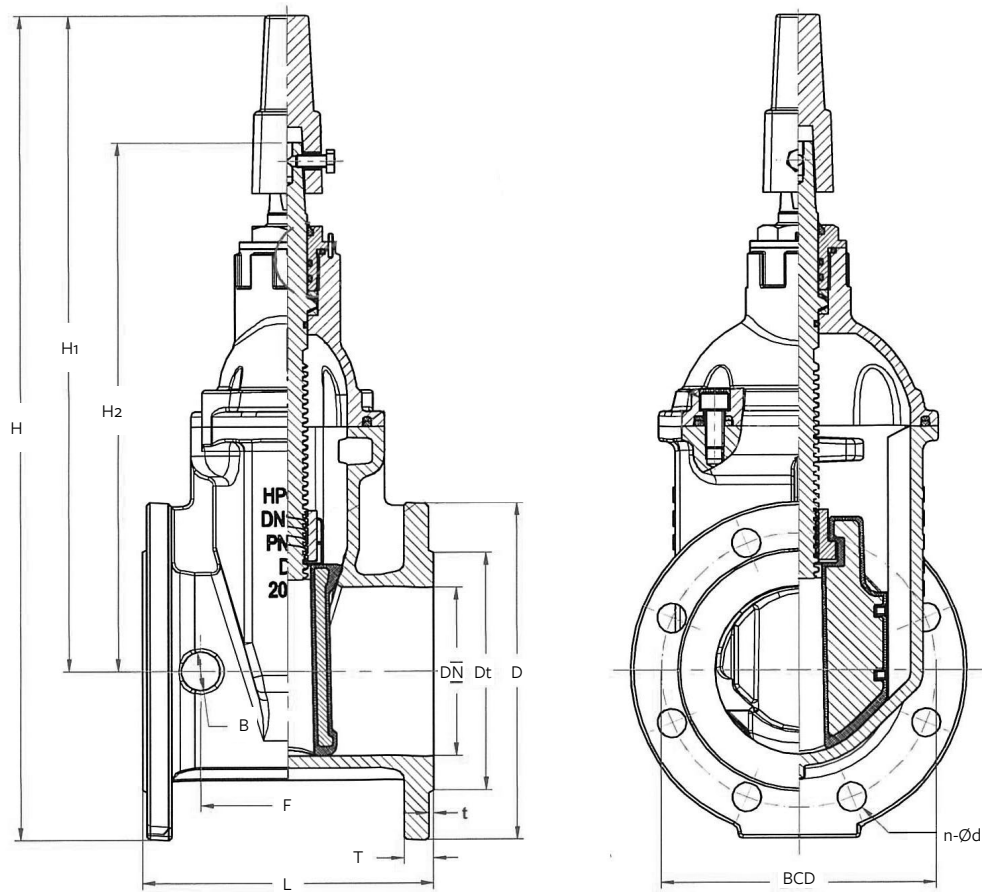
- Non-Rising Stem (NRS).
- Meets EN1074:2000 1 & 2 Type A Standard.
- Operating Nut (optional Handwheel).
- DN50 – DN300.
- All Ductile Iron Body and Bonnet.
- Blue Fusion Bonded Epoxy Coating – 250µ nominal DFT.
- Antifriction Washer above and below Thrust Collar.
- Ductile Iron Wedge, symmetrical and fully encapsulated with molded rubber; no exposed iron.
- 10 year limited warranty.
- 16bar/PN16 working pressure.
- End Connection: PN16 Flange End Drilling (EN1092-2:1997); PN10 also available sizes DN200 - DN300

PARTS LIST

ID	PART NAME	QTY.	MATERIAL	STANDARD
1	Body	1	EN-GJS-500-7 DI	EN1563:2011
2	Bonnet	1	EN-GJS-500-7 DI	EN1563:2011
3	Disc	1	EN-GJS-500-7 DI/EPDM	EN1563:2011
4	Stem Nut	1	CC331G AL BZ	EN1982:2008
5	Stem	1	1.4057 SS	EN10088-1:2005
6	Gasket	1	EPDM	WA, EN681-1:1996
7	Bonnet Bolt	4	304SS	GB/T 70.1-2008
8	Stem Cap	1	EN-GJS-500-7 DI	EN1563:2011
9	Gland Bushing	1	CW617N Brass	EN12164:2011
10	O-Ring	1	EPDM	WA, EN681-1:1996
11	Cap Screw	1	304SS	GB/T 5783-2000
12	Thrust Collar	2	CW617N Brass	EN12164:2011
13	Groove Pin	1	316SS	-
14	Wiper Ring	1	EPDM	WA, EN681-1:1996
15	O-Ring	2	EPDM	-
16	O-Ring	1	EPDM	-



DIMENSIONS



DIMENSIONS - MM

DN	PN	WEIGHT - Kg	F	B	H2	H1	H	t	T	n-Ød	BCD	Dt	D	L	URNS TO CLOSE
50	PN16	12	102	25	263	346	429	3	19	4-Ø19	125	99	165	150	7
65	PN16	15	98	38	293	376	469	3	19	4-Ø19	145	118	185	170	9
80	PN16	18	111	38	323	406	506	3	19	4-Ø19	160	132	200	180	12
100	PN16	21	153	25	347	430	540	3	19	8-Ø19	180	155	220	190	14
125	PN16	34	100	38	421	494	619	3	19	8-Ø19	210	183	250	200	15
150	PN16	37	167	38	440	525	667	3	19	8-Ø23	240	211	285	210	17
200	PN10	61	192	45	520	605	775	3	20	12-Ø23	295	264	340	230	18
200	PN16	61	192	45	520	605	775	3	20	12-Ø23	295	264	340	230	18
250	PN10	98	213	54	616	712	914	3	22	12-Ø28	350	319	405	250	22
250	PN16	98	213	54	616	712	914	3	22	12-Ø28	355	319	405	250	22
300	PN10	144	239	54	707	803	1031	4	25	12-Ø28	400	367	460	270	25
300	PN16	144	239	54	707	803	1031	4	25	12-Ø28	410	367	460	270	25

Standard Clockwise-Close (Open-Left). Anticlockwise-Close available to special order.

6125 Preservation Dr., Suite 200, Chattanooga, TN 37416 USA, international@muellercompany.com, P: 1.800.423.1323

Mueller refers to one or more of Mueller Water Products, Inc., a Delaware corporation ("MWP"), and its subsidiaries. MWP and each of subsidiaries are legally separate and independent entities when providing products and services. MWP does not provide products or services to third parties. MWP and each of its subsidiaries are liable only for their own acts and omissions and not those of each other. MWP brands include Mueller®, Echologics®, Hydro Gate®, Hydro-Guard®, Jones®, MiNet®, Milliken®, Pratt®, Singer®, and U.S. Pipe Valve & Hydrant. Please see www.muellerwpp.com/about to learn more.

Copyright © 2018 Henry Pratt Company, LLC. All Rights Reserved. The trademarks, logos and service marks displayed in this document are the property of Mueller Water Products, Inc., its affiliates or other third parties. Products above marked with a section symbol (§) are subject to patents or patent applications. For details, visit www.mwppat.com. These products are intended for use in potable water applications. Please contact your Mueller Sales or Customer Service Representative concerning any other application(s).

