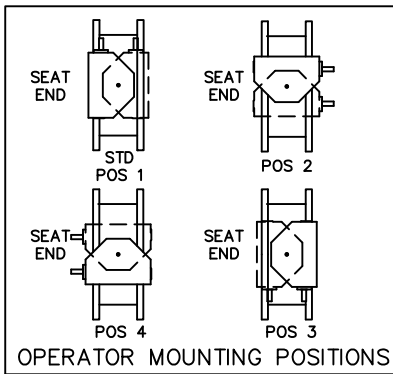


ACTUATOR POSITION 1

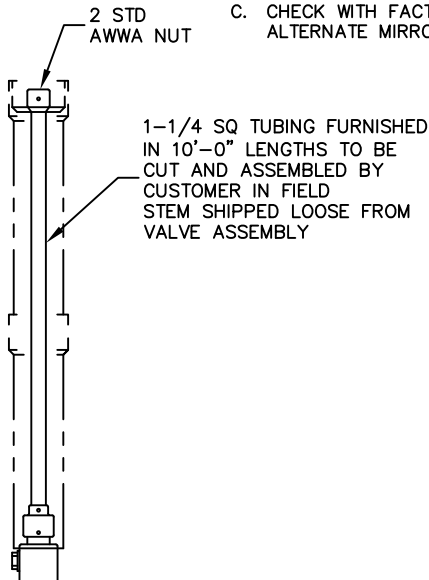


OPERATOR MOUNTING POSITIONS

- A. IGNORE SEAT SIDE DESIGNATION ON BFV SIZE 3" -20"
- B.
- C. CHECK WITH FACTORY WHEN SELECTING ALTERNATE MIRROR ACTUATOR STYLES.

NOTES:

1. ALL DIMENSIONS SHOWN IN INCHES.
2. "D" DIMENSION $\pm 1/16$ " FOR 3" THRU 10" VALVES.
"D" DIMENSION $\pm 1/8$ " FOR 12" THRU 20" VALVES.
3. DIMENSION "C" ALLOWS CLEARANCE FOR 125 LB OR 150 LB A.S.A. BOLT LAYOUT.
4. VALVES MANUFACTURED & TESTED IN ACCORDANCE WITH AWWA SPECIFICATION C-504 LATEST REVISION, CLASS 150B.
5. EXTENSION STEM CAN BE USED WITH STANDARD VALVE BOXES OR 5" SOIL PIPE



OPTIONAL EXTENSION
STEM ARRANGEMENT

VALVE SIZE	DISC O. D.	MIN. MATING I. D.
3	3.087	2.41
4	4.072	3.44
6	6.068	5.38
8	8.076	7.53
10	10.096	9.62
12	12.106	11.64
14	13.337	12.86
16	15.334	14.79
18	17.368	16.75
20	19.385	18.71
24	23.100	22.28

VALVE SIZE	A	B	C	D
3	4-3/4	3-1/4	5-1/4	2-1/16
4	5-1/2	3-1/2	6-3/4	2-5/16
6	6-1/2	5-1/8	8-5/8	2-15/16
8	7-3/4	6-1/2	10-7/8	3-1/16
10	9	9-7/8	13-1/4	3-3/16
12	10-1/2	11-3/8	16	3-7/16
14	11-7/8	12-3/4	17-5/8	3-11/16
16	13-1/2	14-3/8	20-1/8	4-3/16
18	14-3/8	15-1/4	21-1/2	4-11/16
20	16	17	23-3/4	5-3/16
24	18-7/8	19-5/8	28-1/8	6-1/16

ACTUATOR SIZE	J	L	M	N	P	Q	R	NUMBER OF TURNS
MDT-2S	4-11/16	2	2-1/8	2	4-1/2	4-1/2	8-1/4	32
MDT-3S	5-5/8	2-7/16	3-1/4	3-5/32	5-5/8	5-3/8	10-3/8	30
MDT-4S	6-3/8	2-27/32	3-3/8	4	7-5/16	6-3/4	11-5/16	40
MDT-5	7-9/16	3-15/32	4-1/2	5-1/2	8-3/4	10	17	44

4/28/23	RTF	RF	UPDATED TEMPLATE & ADDED POS CHART					
10-14-04	CEG	JR	ADDED 24" DIMENSIONS					
REV.-DATE	BY	APP.	REVISION	REV.-DATE	BY	APP.	REVISION	