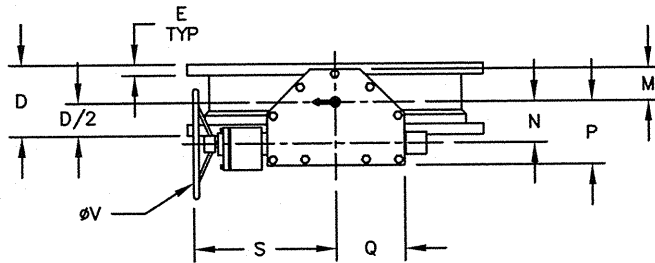


ACTUATOR SIZE	J	L	M	N	P	Q	S	V	NUMBER OF TURNS
MDT-3S	5-5/8	2-7/16	3-1/4	3-5/32	5-5/8	5-3/8	10-1/2	12	30
MDT-4S	6-3/8	2-27/32	3-3/8	4	7-5/16	6-3/4	11-1/2	12	40
MDT-5	7-9/16	3-15/32	4-1/2	5-1/2	8-3/4	10	17 3/16	18	44
MDT-5S	8-5/16	3-15/16	5-1/2	7	10-1/2	15-15/16	20	24	136
MDT-6S	10-3/16	5-1/16	7	8-1/4	12-5/8	14-3/16	27-3/4	24	215



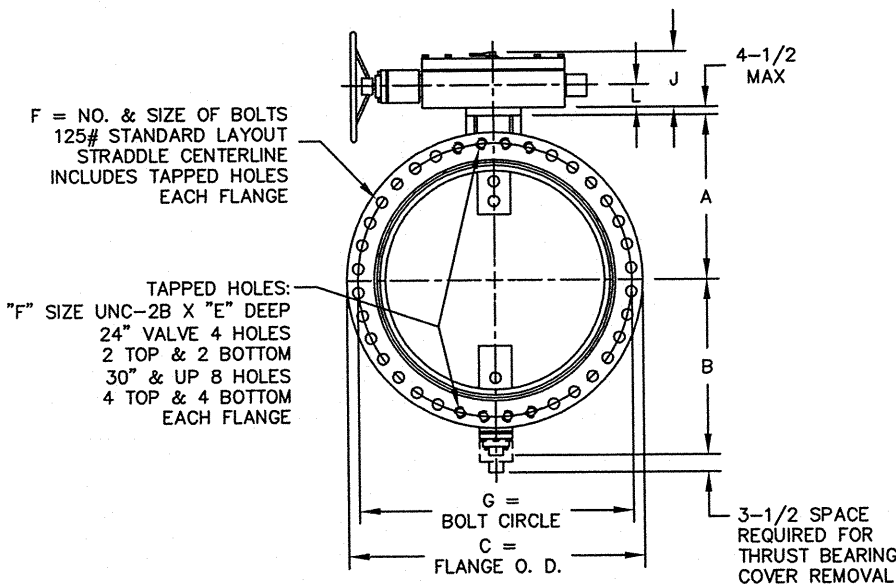
VALVE SIZE	150 PSI						
	A	B Δ	C	D	E	F	G
24	18-5/8	18-3/8	32	8	1-7/8	20/1-1/4	29-1/2
30	21-1/2	24-3/8	38-3/4	12	2-1/8	28/1-1/4	36
36	25-7/16	28	46	12	2-3/8	32/1-1/2	42-3/4
42	29-7/8	32-11/16	53	12	2-5/8	36/1-1/2	49-1/2
48	34-1/16	36-7/8	59-1/2	15	2-3/4	44/1-1/2	56
54	37-1/2	40-11/16	66-1/4	15	3	44-1-3/4	62-3/4
60	41-3/4	45-3/16	73	15	3-1/8	52-1-3/4	69-1/4
66	46-1/16	49-1/2	80	18	3-3/8	52-1-3/4	76
72	50	53-1/8	86-1/2	18	3-1/2	60-1-3/4	82-1/2



ACTUATOR POSITION 1

NOTES:

1. ALL DIMENSIONS SHOWN IN INCHES.
2. "D" DIMENSION $\pm 1/8"$.
3. FOR BOLTS SMALLER THAN $\phi 1-3/4$, BOLT HOLES WILL BE $1/8"$ LARGER THAN DIAMETER OF BOLT. FOR BOLTS $\phi 1-3/4$ OR LARGER, BOLT HOLES WILL BE $1/4"$ LARGER THAN DIAMETER OF BOLT.
4. DIMENSIONS AND DRILLING OF END FLANGES CONFORM TO THE AMERICAN CAST IRON FLANGE STANDARDS, CLASS 125 (B16.1).
5. VALVES MANUFACTURED & TESTED IN ACCORDANCE WITH AWWA SPECIFICATION C-504 LATEST REVISION, CLASS 150B.
6. RECOMMENDATION FOR MATING FLANGES: WHERE INSULATING BUSHINGS ARE USED, IT IS NECESSARY THAT BOLT HOLES BE DRILLED OVERSIZE BY AN AMOUNT EQUAL TO TWO TIMES THE INSULATING SLEEVE THICKNESS TO MAINTAIN THE SAME MINIMUM CLEARANCE FOR BOLTS.
7. CAUTION: IT IS RECOMMENDED THAT VALVES BE INSTALLED INTO PIPING SYSTEM IN ACCORDANCE WITH AWWA M-11 TO PREVENT ANY UNDUE PIPING STRESS, DEFLECTION OR BENDING THAT MAY EFFECT THE PERFORMANCE OF THE VALVE.



REV	DATE	BY	DESCRIPTION	APP
Δ	03/11/10	MZ	REMOVED 25 & 75 LB.	<i>Jan</i>
Δ	1/20/09	DSL	CORRECTED DIM FOR 30"	JR
Δ	8/17/06	JH	REM'D EXTRA DIMS	CEM

PRATT HENRY PRATT COMPANY
AURORA, ILL.

TRITON XR-70 BUTTERFLY VALVE FLG
24 THRU 72 INCH
MDT W/ HANDWHEEL

SCALE NONE DATE 12/07/04
DRAWN BY BZ CHECKED BY ES
APPROVED GA=BORDER
DRWG. NO. GA-11298 REV 3 Δ /C