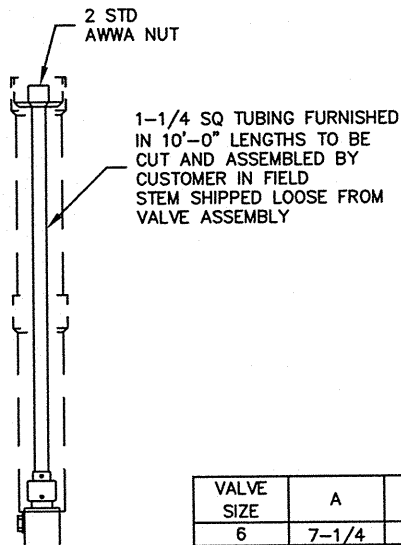


NOTES:

1. ALL DIMENSIONS SHOWN IN INCHES.
2. "D" DIMENSION $\pm 1/8$ ".
3. FOR BOLTS SMALLER THAN $\phi 1-3/4$, BOLT HOLES WILL BE $1/8$ " LARGER THAN DIAMETER OF BOLT. FOR BOLTS $\phi 1-3/4$ OR LARGER, BOLT HOLES WILL BE $1/4$ " LARGER THAN DIAMETER OF BOLT.
4. RECOMMENDATION FOR MATING FLANGES: WHERE INSULATING BUSHINGS ARE USED, IT IS NECESSARY THAT BOLT HOLES BE DRILLED OVERSIZE BY AN AMOUNT EQUAL TO TWO TIMES THE INSULATING SLEEVE THICKNESS TO MAINTAIN THE SAME MINIMUM CLEARANCE FOR BOLTS.
5. CAUTION: IT IS RECOMMENDED THAT VALVES BE INSTALLED INTO THE PIPING SYSTEM IN ACCORDANCE WITH AWWA M-11 IN ORDER TO PREVENT ANY UNDUE PIPING STRESS, DEFLECTION OR BENDING THAT MAY AFFECT THE PERFORMANCE OF THE VALVE.
6. EXTENSION STEM CAN BE USED WITH STANDARD VALVE BOXES OR 5" SOIL PIPE.



OPTIONAL EXTENSION STEM ARRANGEMENT

VALVE SIZE	A	B	C	D	E	F	G
6	7-1/4	8-3/8	12-1/2	6	1-7/16	12--3/4	10-5/8
8	8-1/2	9-5/8	15	8	1-5/8	12--7/8	13
10	9-3/4	11	17-1/2	8	1-7/8	16--1	15-1/4
12	11-1/2	12-5/8	20-1/2	8	2	16--1-1/8	17-3/4
14	12-3/4	13-7/8	23	12	2-1/8	20--1-1/8	20-1/4
16	14	15-1/8	25-1/2	12	2-1/4	20--1-1/4	22-1/2
18	15-1/4	16-3/8	28	12	2-3/8	24--1-1/4	24-3/4
20	17	17-5/8	30-1/2	12	2-1/2	24--1-1/4	27
24	19-3/4	20-1/4	36	12	2-3/4	24--1-1/2	32
30	25-5/8	26	43	12	3	28--1-3/4	39-1/4
36	28-1/8	31-1/8	50	15	3-3/8	32--2	46
42	32-1/8	35-1/8	57	15	3-11/16	36--2	52-3/4
48	36-1/4	39-5/8	65	15	4	40--2	60-3/4

ACTUATOR SIZE	J	L	M	N	P	Q	R	NUMBER OF TURNS
MDT-2S	4-11/16	2	2-1/8	2	4-1/2	4-1/4	8-1/4	32
MDT-3S	5-5/8	2-7/16	3-1/4	3-5/32	5-5/8	5-3/8	10-3/8	30
MDT-4S	6-3/8	2-27/32	3-3/8	4	7-5/16	6-3/4	11-5/16	40
MDT-5	7-9/16	3-15/32	4-1/2	5-1/2	8-3/4	10-7/16	17	44
MDT-5S	8-5/16	3-15/16	5-1/2	7	10-1/2	15-15/16	19-7/8	136
MDT-6S	11 1/8	5-1/16	7	8-1/4	12-5/8	14-3/16	26-1/2	215

01-28-10	MZ	4-1/4 WAS 4-1/2; 10-7/16 WAS 10.	
11-17-09	CEM	CORRECTED FLOW ARROW	JR
1-18-09	AA	ADDED ARROWS	JRW
REV	DATE	BY	DESCRIPTION
			APP

PRATT HENRY PRATT COMPANY
AURORA, ILL.

GENERAL ARRANGEMENT DRAWING
6"-48" HP-350 VALVE FLANGED ENDS
MDT BURIED SERVICE ACTUATOR

SCALE NONE DATE 1-05-08

DRAWN BY AA CHECKED BY PPS

APPROVED GA=BORDER

DRWG. NO. GA-11861 REV 3 A/C