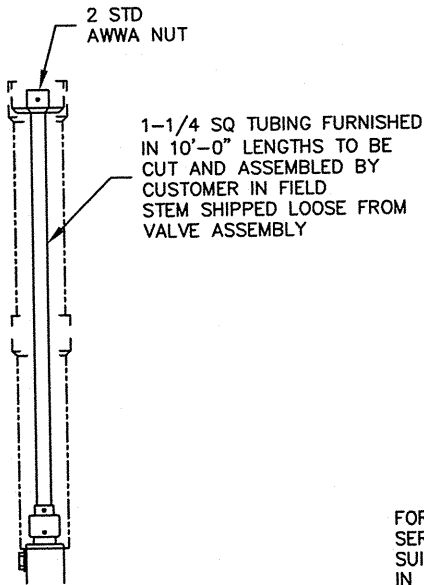


ACTUATOR SIZE	J	L	M	N	P	Q	R	NUMBER OF TURNS
MDT-2S	4-11/16	2	2-1/8	2	4-1/2	4-1/2	8-1/4	32
MDT-3S	5-5/8	2-7/16	3-1/4	3-5/32	5-5/8	5-3/8	10-3/8	30
MDT-4S	6-3/8	2-27/32	3-3/8	4	7-5/16	6-3/4	11-5/16	40
MDT-5	7-9/16	3-15/32	4-1/2	5-1/2	8-3/4	10	17	44
MDT-5S	8-5/16	3-15/16	5-1/2	7	10-1/2	15-15/16	19-7/8	136
MDT-6S	11 1/8	5-1/16	7	8-1/4	12-5/8	14-3/16	26-1/2	215

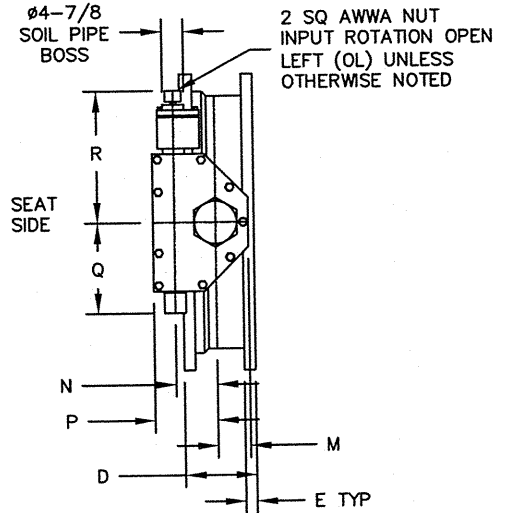
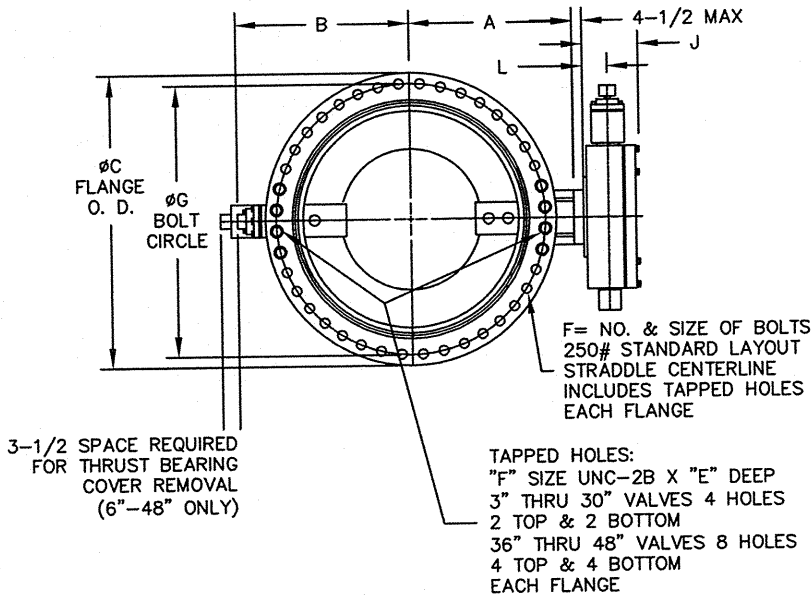
VALVE SIZE	A	B	C	D	E	F	G
3	4-3/4	3-1/4	8-1/4	5	1-1/8	8--3/4	6-5/8
4	5-1/2	3-1/2	10	5	1-1/4	8--3/4	7-7/8
6	7-1/4	8-3/8	12-1/2	6	1-7/16	12--3/4	10-5/8
8	8-1/2	9-5/8	15	8	1-5/8	12--7/8	13
10	9-3/4	11	17-1/2	8	1-7/8	16--1	15-1/4
12	11-1/2	12-5/8	20-1/2	8	2	16--1-1/8	17-3/4
14	12-3/4	13-7/8	23	12	2-1/8	20--1-1/8	20-1/4
16	14	15-1/8	25-1/2	12	2-1/4	20--1-1/4	22-1/2
18	15-1/4	16-3/8	28	12	2-3/8	24--1-1/4	24-3/4
20	17	17-5/8	30-1/2	12	2-1/2	24--1-1/4	27
24	19-3/4	20-1/4	36	12	2-3/4	24--1-1/2	32
30	25-5/8	26	43	12	3	28--1-3/4	39-1/4
36	28-1/8	31-1/8	50	15	3-3/8	32--2	46
42	32-1/8	35-1/8	57	15	3-11/16	36--2	52-3/4
48	36-1/4	39-5/8	65	15	3-7/8	40--2	60-3/4



OPTIONAL EXTENSION STEM ARRANGEMENT

FOR BI-DIRECTIONAL SERVICE ACTUATOR IS SUITABLE FOR FLOW IN EITHER DIRECTION

FOR UNI-DIRECTIONAL SERVICE ACTUATOR IS SIZED FOR FLOW IN THIS DIRECTION ONLY



ACTUATOR POSITION 1

NOTES:

- ALL DIMENSIONS SHOWN IN INCHES.
- "D" DIMENSION $\pm 1/8$ ".
- FOR BOLTS SMALLER THAN $\phi 1-3/4$, BOLT HOLES WILL BE $1/8$ " LARGER THAN DIAMETER OF BOLT. FOR BOLTS $\phi 1-3/4$ OR LARGER, BOLT HOLES WILL BE $1/4$ " LARGER THAN DIAMETER OF BOLT.
- DIMENSIONS AND DRILLING OF END FLANGES CONFORM TO THE AMERICAN CAST IRON STANDARDS, CLASS 250 (B16.1).

- RECOMMENDATION FOR MATING FLANGES: WHERE INSULATING BUSHINGS ARE USED, IT IS NECESSARY THAT BOLT HOLES BE DRILLED OVERSIZE BY AN AMOUNT EQUAL TO TWO TIMES THE INSULATING SLEEVE THICKNESS TO MAINTAIN THE SAME MINIMUM CLEARANCE FOR BOLTS.
- CAUTION: IT IS RECOMMENDED THAT VALVES BE INSTALLED INTO THE PIPING SYSTEM IN ACCORDANCE WITH AWWA M-11 IN ORDER TO PREVENT ANY UNDUPE PIPING STRESS, DEFLECTION OR BENDING THAT MAY EFFECT THE PERFORMANCE OF THE VALVE.
- EXTENSION STEM CAN BE USED WITH STANDARD VALVE BOXES OR 5" SOIL PIPE.

REV	DATE	BY	DESCRIPTION	APP.
	10/6/09	SK	48E WAS 4	<i>RSB</i>
PRATT HENRY PRATT COMPANY AURORA, ILL.				
3" - 48" HP250 VALVE ANSI 250# FLG MDT BURIED SERVICE ACTUATOR				
SCALE		DATE		1-30-09
DRAWN BY		CHECKED BY		JR
APPROVED		GA=BORDER		
DRWG. NO.	GA-11870	REV	1	A/c